



# stylmark®

## Installation Instructions

StretchFrame™ Low Profile  
Single- and Double-Sided  
Non-lit Tension Fabric Display (TFD) Frames  
Models 690318/690319

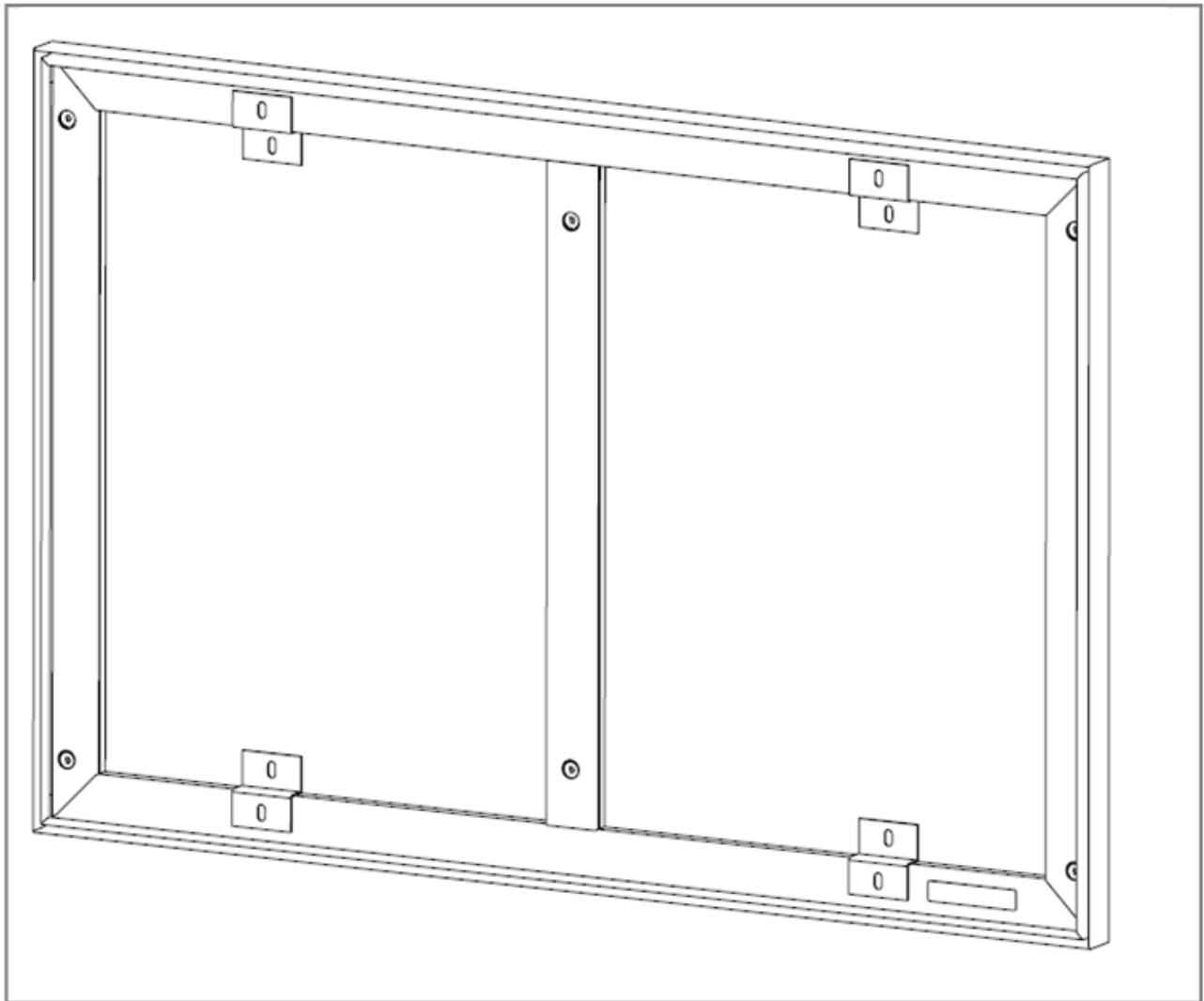


Figure 1

## INSTALLATION INSTRUCTIONS

### ***Before you begin***

These instructions illustrate the Stylmark® StretchFrame™ Low Profile Tension Fabric Display Frame. If you have questions during assembly, call 800-328-2495 to request technical assistance.

### ***Tools you'll need***

- T-handle T30 star wrench (provided)
- #8 or similar sized fasteners
- Screwdriver for fasteners
- Tape measure
- Level
- Drill with assorted sizes of drill bits

**Please read these instructions carefully before beginning installation.**

Part Number#971857  
Rev B (10/18)

# Stylmark Installation Instructions: StretchFrame™ Model 690318/319

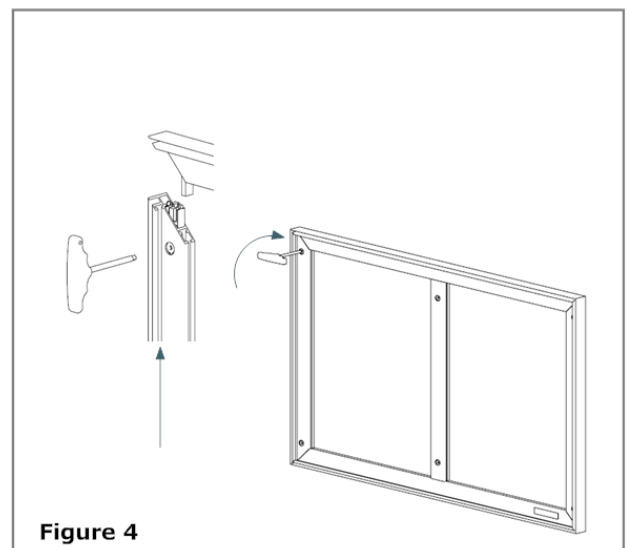
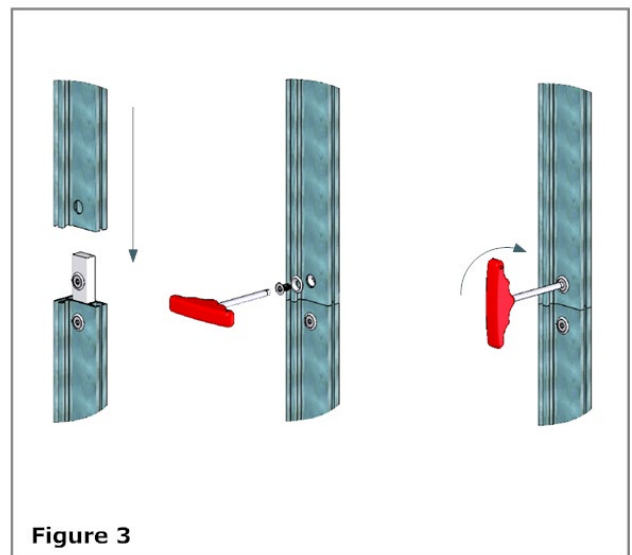
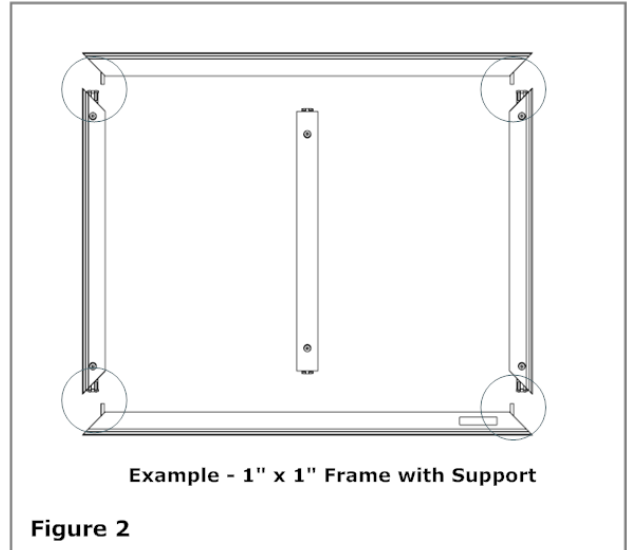
## Getting Started:

These instructions are for StretchFrame™ Low Profile Tension Fabric Display Frame. Follow the instructions for the assembly ordered. StretchFrames™ ship unassembled.

## Assembling the Frame:

Note: Consult the configuration/dimension sheet packed in the box to identify your specific configuration.

1. Remove extrusions and components from the box and position all parts on a level surface such that the layout matches your specific configuration and the corresponding letters align (i.e., A to A, B to B, C to C). **See Figure 2 for an example layout**
2. Join all extrusions with splice connectors together. (Some configurations may include splice connector(s) to linearly join extrusions. The splice connector will be installed into an extrusion with half partially exposed). To use the splice, first remove the installed screw on the exposed portion using the T-handle star wrench. Then slide the splice connector into the adjacent extrusion & reinstall the screw. **See Figure 3.**
3. Assemble extrusions together by sliding the extrusion with the tension lock connector into the correspondingly labeled extrusion. (i.e., A to A, B to B, C to C). The two members should fit tightly together. To tighten the connector, insert the T-handle star wrench into the star drive socket and turn clockwise a half-turn. **See Figure 4.**
4. Continue to tighten all tension lock connectors until the frame is fully assembled.



Part Number#971857  
Rev B (10/18)

# Stylmark Installation Instructions: StretchFrame™ Model #690318/319

## Wall Mount (690318):

Note: Fasteners are not provided, installer shall select appropriate fastener/anchor for wall surface type. (mounting z-clip slot is 3/16" wide)

1. Identify the desired location of the frame on the wall and mark the positions of the mounting screws, using supplied mounting z-clips to reference fastener location. Mounting z-clips should be located on the top and bottom near each corner and any vertical frame members. **See Figure 5.**
2. Drill holes into wall surface appropriate for selected fasteners.
3. Install the top mounting z-clips first. Using fasteners appropriate for the mounting surface, screw through the mounting z-clips into the mounting surface. Do not fully tighten. **See Figure 6.**
4. Lift and position the frame against the wall and let it rest inside the mounting z-clips. Final leveling of the frame can be achieved by adjusting the position of the mounting z-clips. After leveling, tighten fasteners in all top mounting z-clips.
5. To lock the frame against the wall, install bottom mounting z-clips. Clips should be located on the inside of the frame. **See Figure 5.**

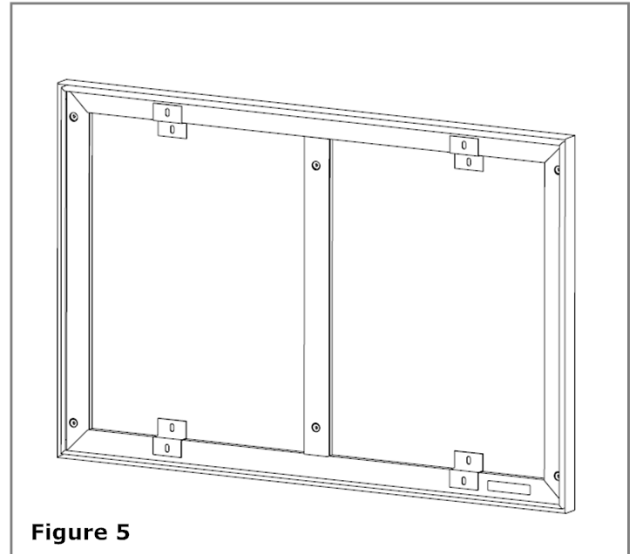


Figure 5

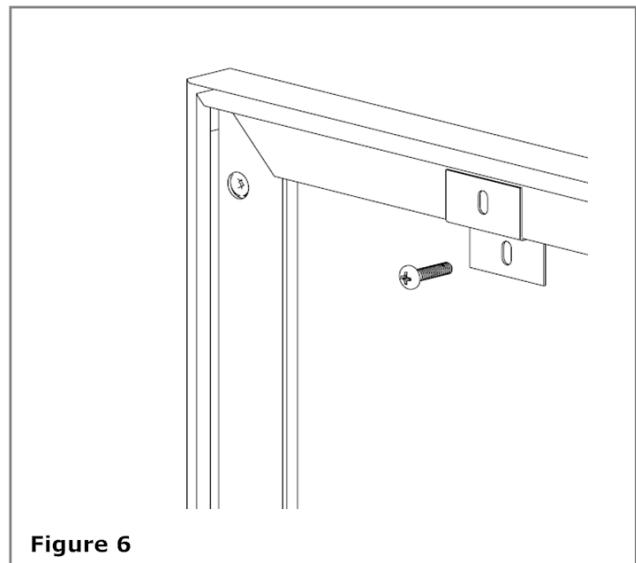


Figure 6

## Ceiling Hanging (690319):

Note: If the frame is intended to be hung from overhead, the top extrusions of the frame will include hanging holes for support cables.

1. To hang the frame, route the support cable through the hole.
2. Secure support cable using a cable locking mechanism. **See Figure 7.**

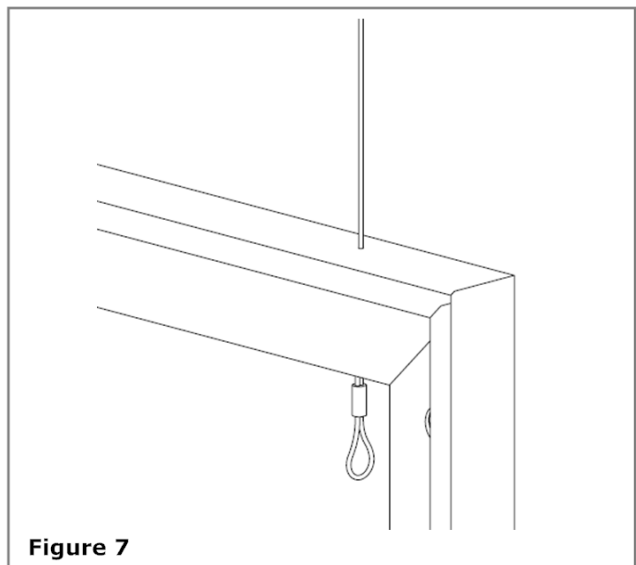


Figure 7

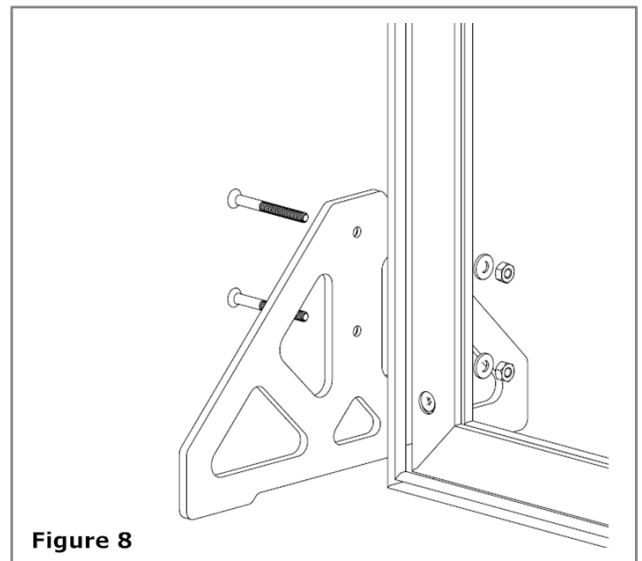
Part Number#971857  
Rev B (10/18)

# Stylmark Installation Instructions: StretchFrame™ Model #690318/319

## Floor Standing (690319):

Note: If the frame is intended to be free standing on the floor, the side extrusions of the frame will include attachment holes for stand feet.

1. Position the stand foot at the side of the frame aligning the mounting holes in the foot with those in the frame.
2. Insert the provided fasteners. Place washer and nut on to the fastener inside the frames and tighten. **See Figure 8.**



## Step-by-Step Instructions – Graphic Installation:

1. Begin graphic installation by inserting the silicone edge gasket (SEG) into the frame channel at all four corners.
2. Continue inserting the SEG into the channel by working evenly from the corners toward the center of each side until the SEG is fully inserted on all sides of the frame.

## Step-by-Step Instructions – Graphic Removal:

1. Locate the small tag sewn to the edge of the graphic.
2. Carefully pull on the tag, drawing the SEG from the frame channel.

Part Number#971857  
Rev B (10/18)