



stylmark[®]

Flexis[®]
DisplayMaker
Shelving System

Shelf Installation Instructions

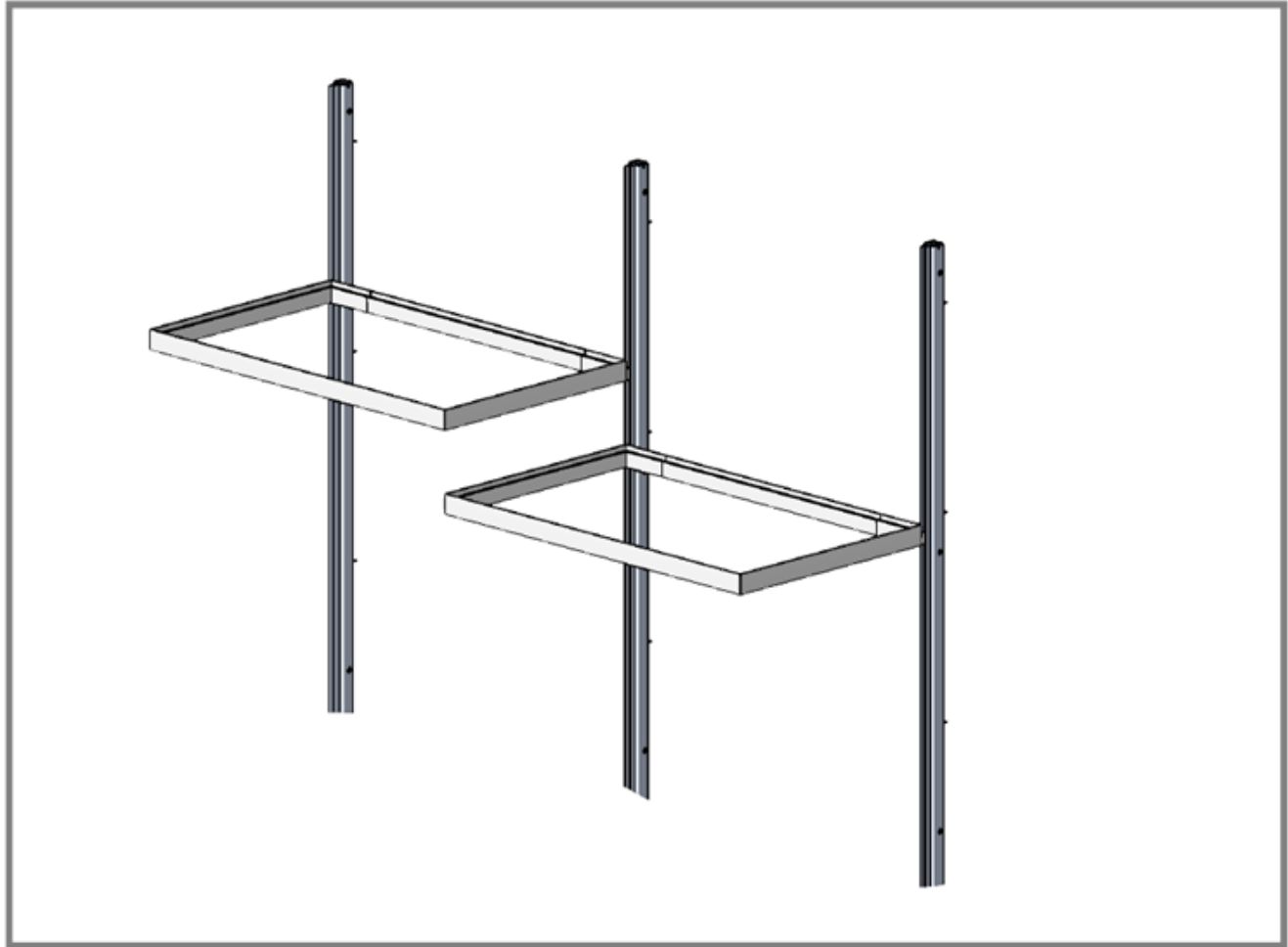


Figure 1

INSTALLATION INSTRUCTIONS

Before you begin

These instructions illustrate how to install the Stylmark[®] Flexis[™] Shelving System to be used with the Flexis[®] DisplayMaker Wall Merchandising System. If you have questions during assembly, call 800-328-2495 to request technical assistance.

Tools you'll need

- Multimeter

Please read these instructions carefully before beginning installation.

Part Number# 971862
Rev B (3/19)

Stylmark Installation Instructions: Flexis Shelving System

Getting Started:

Please read all safety and installation instructions carefully before beginning.

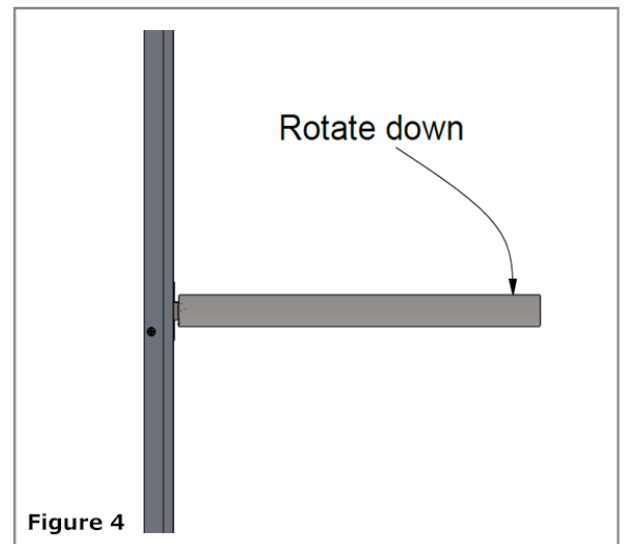
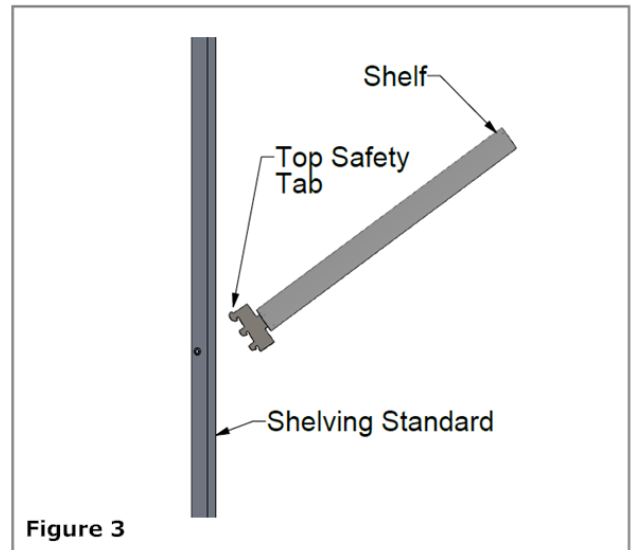
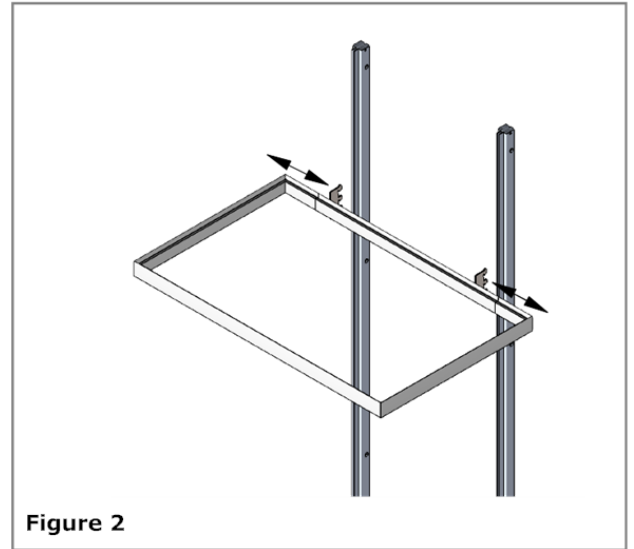
Step-by-Step Instructions:

1. Ensure that the shelf brackets align with the spacing of the standards. If the brackets do not line up, slide the brackets horizontally as needed to align. **See Figure 2.**
2. Holding the shelf at an angle, hook the top safety tab on the bracket into a slot on the standard. **See Figure 3.**
3. Rotate the front of the shelf down to a horizontal position. All teeth on the bracket should fully engage inside the standard. **See Figure 4.**

NOTE: DO NOT EXCEED THE MAXIMUM RATED LOAD CAPACITY INDICATED ON THE SHELF.

If the shelf does not light upon installing in the standard, check the following:

- Verify that both brackets of the shelf are fully and properly inserted in the standards.
- Use a multimeter to measure the output of the power supply. It should read approximately 24 VDC.
- Using a multimeter, verify there is a 24 VDC potential between the two standards the shelf is installed in. One standard must be positive, and the adjacent standard must be negative.



Part Number# 971862
Rev B (3/19)