

Face Frame
Assemblies for
Hinged Door Frames and
Transparency Frames

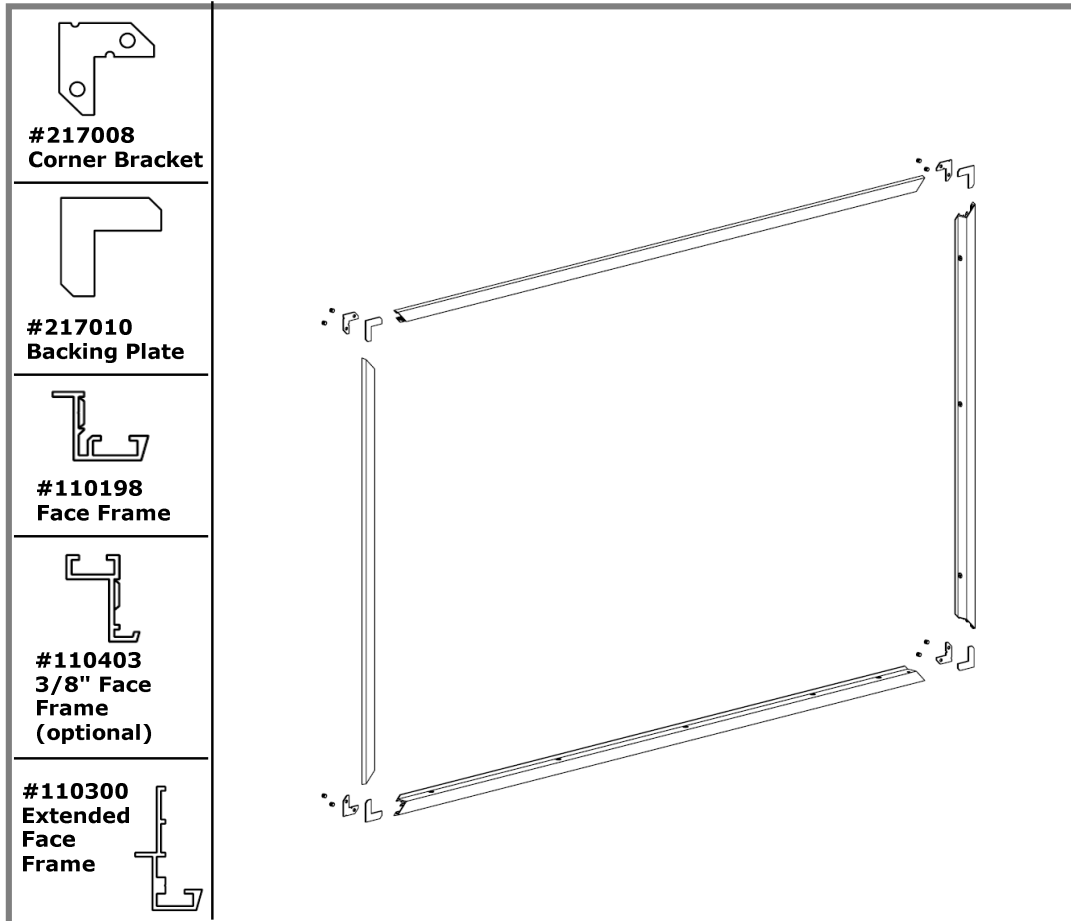


Figure 1

INSTALLATION INSTRUCTIONS

Before you begin

These instructions illustrate the Stylmark Face Frame Assemblies for hinged door and transparency frames. There are four frame options. Assembly is the same for all four options. If you have questions during assembly, call 800-328-2495 to request technical assistance. This package does not include panels and mounting screws, which are necessary for complete assembly.

Tools you'll need

- Utility knife
- Rubber mallet
- Phillips and regular screwdriver
- Fasteners (varies by location)

Please read these instructions carefully before beginning installation.

Stylmark Installation Instructions: Face Frame Assemblies for Hinged Door Frames and Transparency Frames

Getting Started:

These instructions are Stylmark Face Frame Assemblies for hinged door and transparency frames. Install face frame(s) before installing hinged door frames or transparency frames. Fasteners are obtained locally. **See Figure 4.**

Step-by-Step Instructions – Face Frame Assembly:

1. Align the backing plates with the corner brackets and partly insert the set screws into the corner brackets. **See Figure 2.**
2. Slide one end of the corner brackets (with the backing plates in place) into the vertical frame pieces. **See Figure 2.**
3. Slide the other ends of the corner brackets into the corresponding horizontal frame pieces. Align the mitered corners and tighten the set screws. **See Figure 2.**

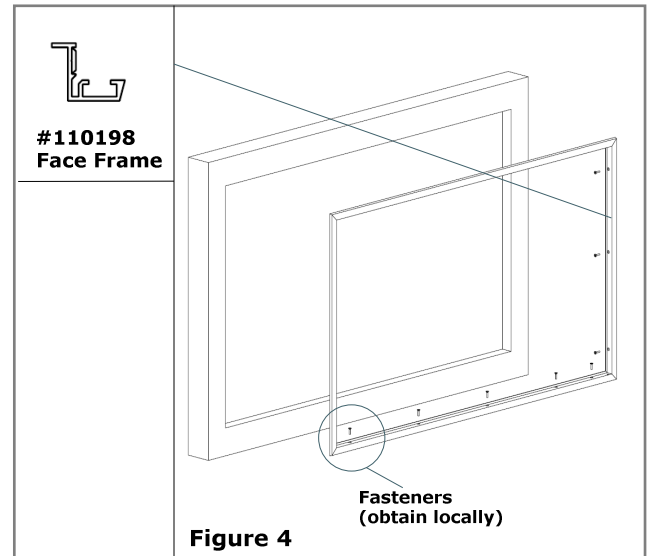
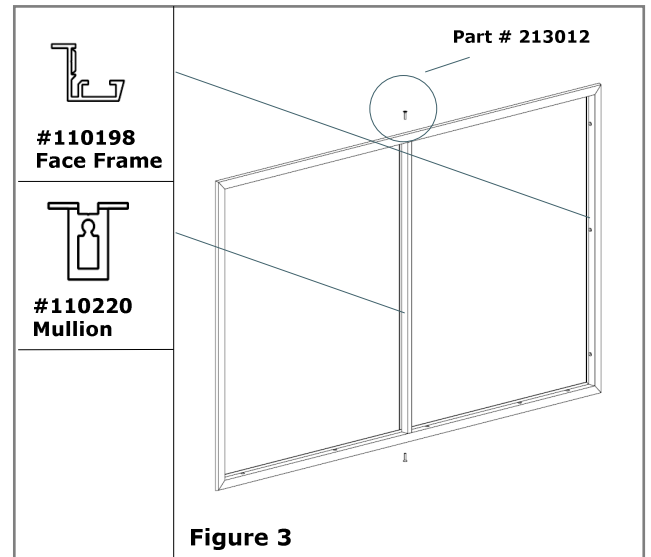
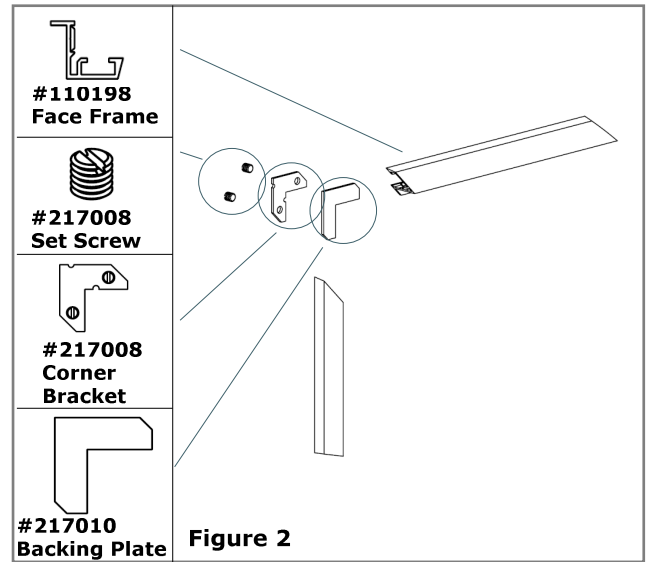
Option: Face frame assemblies are available using one mullion for two doors. To assemble this option, slide the mullion into the face frame between the top and bottom horizontal pieces and attach with #8 screws (part# 213012) through the predrilled holes in the top and bottom pieces. **See Figure 3.**

4. Set the assembled face frame in the wall opening and attach with fasteners (obtain locally). **See Figure 4.**

Step-by-Step Instructions – Push Latch Option:

(For face frame / transparency frame combinations)

1. For transparency frames using push latches:
 - A. Mark a line 4" from the inside corner of the face frame. **See Figure 5.**
 - B. Bend the template as shown, making sure all bends are 90°. **Note:** the template is not configured to locate the latch position for hinged doors.
 - C. Hold the template against the inside lip as shown and locate the line previously marked with the notch on the template.
 - D. On the template, use +'s (designated "B") to locate the position of the latch screws on the two piece transparency frame and +'s (designated "A") for all other transparency frames. **See Figure 5.**
 - E. Refold template for the other corner and repeat steps A-D.



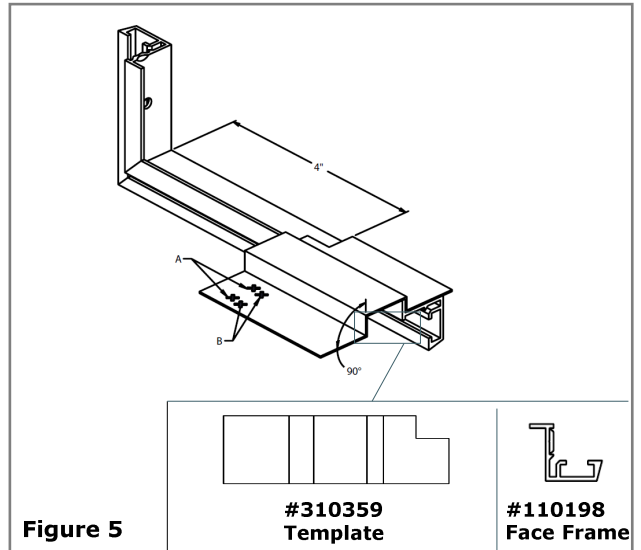
Part Number# 971206
Rev C (9/12)

Stylmark Installation Instructions: Face Frame Assemblies for Hinged Door Frames and Transparency Frames

Step-by-Step Instructions – Push Latch Option Continued:

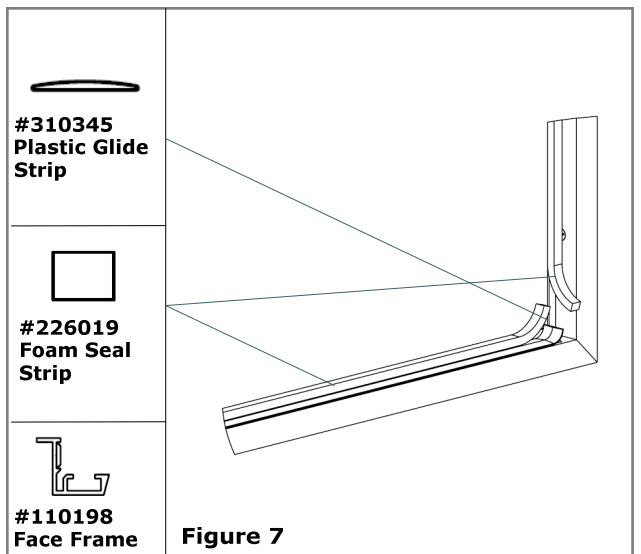
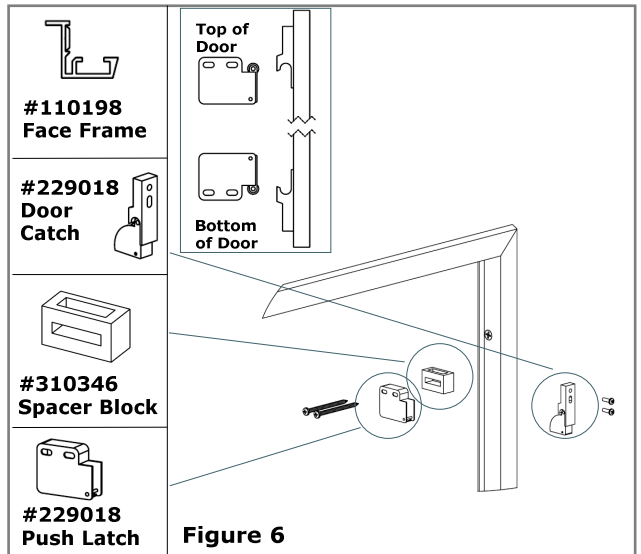
(For face frame / transparency frame combinations)

- Using the positions established with the template, mount push latches with spacer blocks at the top and bottom of the door opening using the screws provided (part #212047) **See Figure 6.**
- Mount door catches at the top and bottom of the door frame with the screws provided (part # 213030) using the pre-drilled holes on the door frame.



Step-by-Step Instructions – Final Assembly:

- Attach the adhesive backed plastic glide strip to the bottom of the face frame. Attach adhesive backed foam seal strips to the three sides of the face frame (excluding the hinged side). The foam seal strip prevents light leakage. **See Figure 7.**
- Attach transparency frames or hinged doors. See separate instructions # 971162 for transparency frames and # 971205 for hinged door instructions.



Part Number# 971206
Rev C (9/12)