



Installation Instructions

684200 Series LED Cabinet Lighting

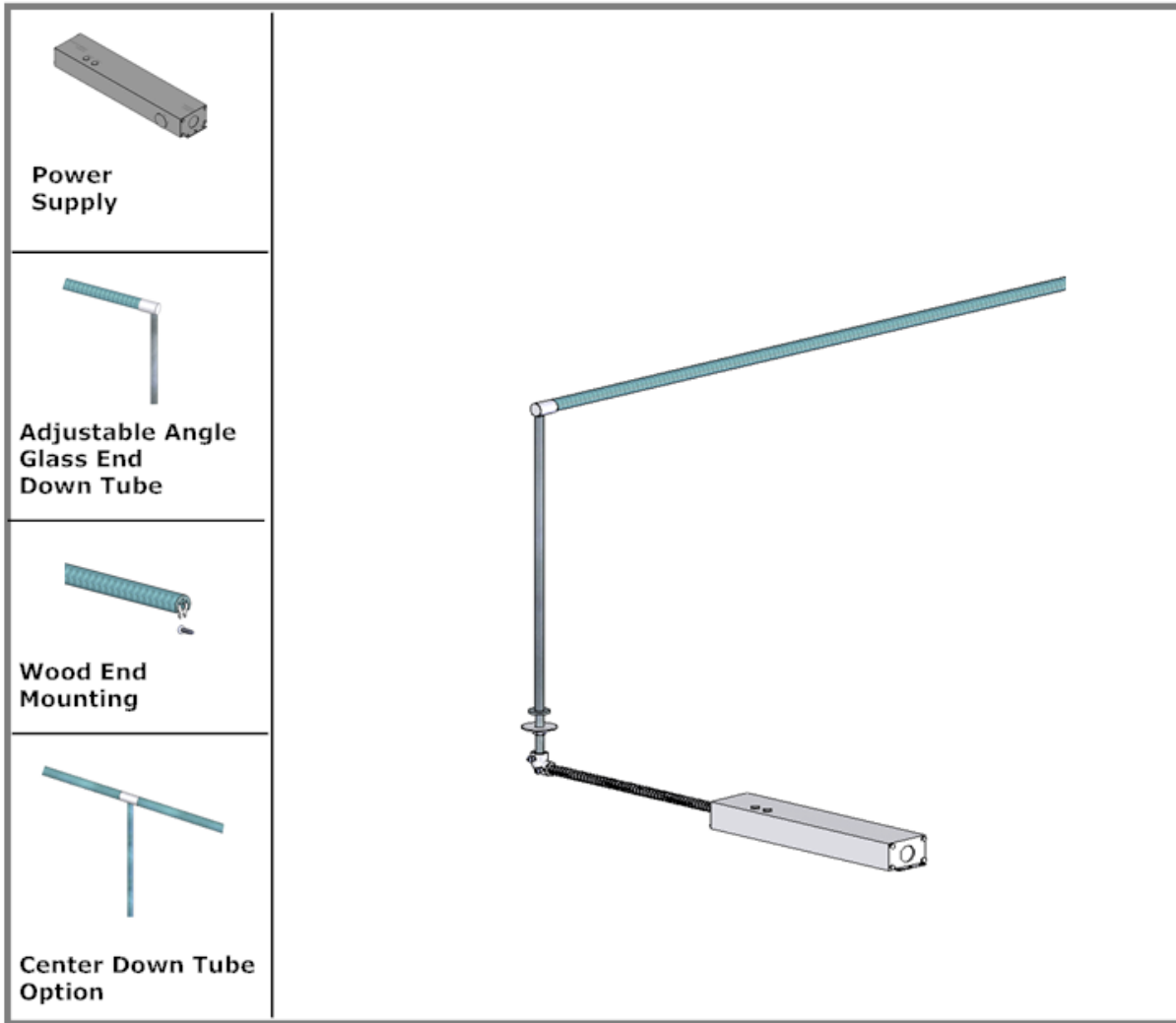


Figure 1

INSTALLATION INSTRUCTIONS

Before you begin

These instructions illustrate the Stylmark® 684200 LED Lighting for showcases and cabinets. If you have questions during assembly, call Stylmark's technical help line. This package does not include specialty fasteners or adhesives which may be necessary for complete assembly.

Tools you'll need

- 5/32" hex key
- 5mm hex key
- 11/16" open-ended wrench
- #2 Phillips screwdriver
- #1 Phillips screwdriver
- #2 flathead screwdriver
- Electric drill & standard bits

Please read these instructions carefully before beginning installation.

Stylmark Installation Instructions: 684200 Series LED Cabinet Lighting

Getting Started

The reflector can be mounted by one of two methods that were designated when the reflector was ordered. Follow the instructions for your mounting method.

Step-by-Step Instructions Down Tube Mounting

1. Route the low voltage cable through the top end of the down tube completely and fasten the down tube to the threaded hole on the endcap so that it is tight. Now attach additional down tube on opposing end without cable. **(See Figure 2)**
2. Tighten the threaded washer onto the bottom threaded end of the down tube such that no threads show above the washer.
3. Use the overall length of reflector assembly with down tubes and the dimensions in **Figure 4** to determine the location of the mounting holes in the cabinet deck. Mark and drill $\varnothing 9/16"$ holes for the reflector down tubes. **(See Figure 3)** Ensure that there are no below deck interferences. **(See Figure 4)** Any center down tubes are handled in the same way.
4. Insert the low voltage cable and the down tubes into the mounting holes in the cabinet deck.
5. Place the flat washer onto the down tube below the cabinet deck and tighten the fastening nut in place. **(See Figure 4)**
6. Mount the power supply to the underside of the cabinet and attach the conduit connector.
7. Route the low voltage cable from the bottom of the down tube through the 90° elbow kit and the flexible conduit. Attach the elbow kit and conduit and fasten the retaining screws. **(See Figure 5)**
8. Make the wiring connections as shown in the wiring diagram. **(See Figure 15)**

Notes:

The installer determines the power supply mounting location. Be sure to provide for adequate free air movement around the power supply. The low voltage cable is 156" (3.96 m) and should not be lengthened.

Figure 2

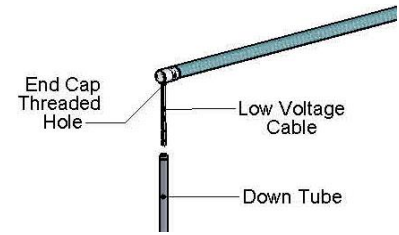


Figure 3

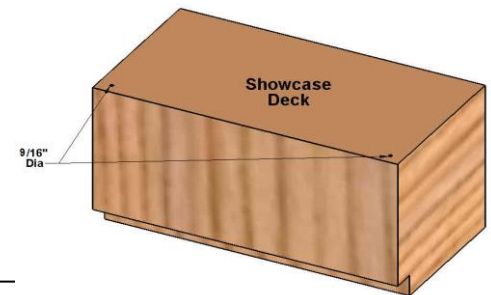


Figure 4

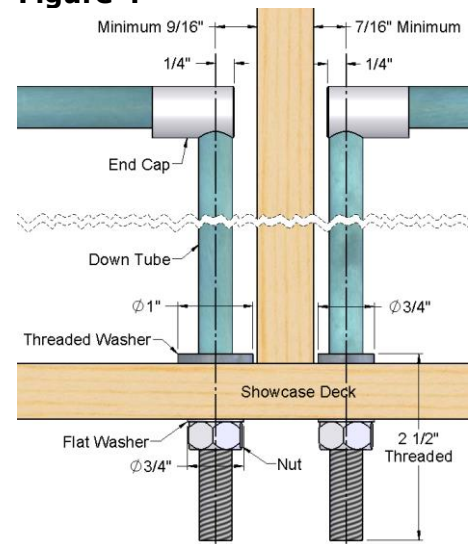
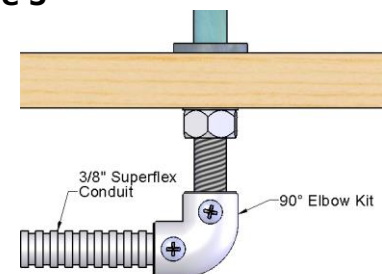


Figure 5



Sheet# 971823
Revision E (11/20)

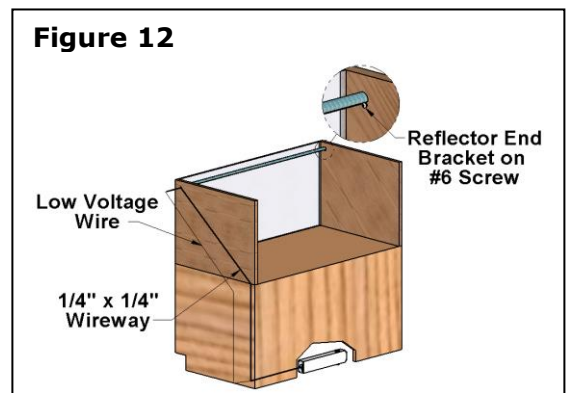
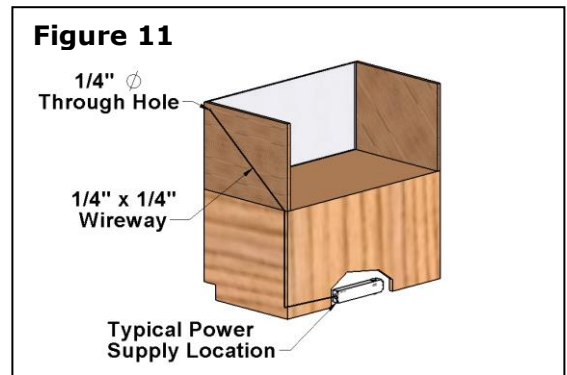
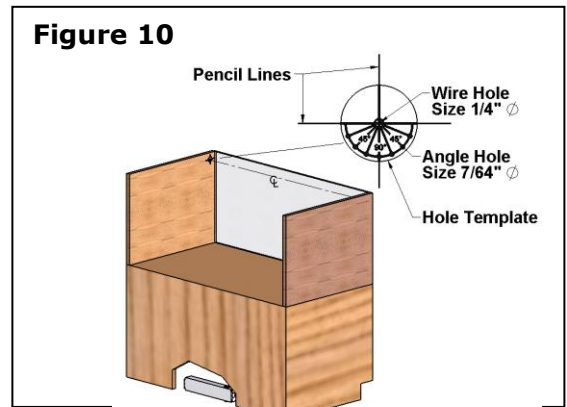
Stylmark Installation Instructions: 684200 Series LED Cabinet Lighting

Step-by-Step Instructions Reflector End Mounting

1. Use the reflector assembly to determine and mark the desired reflector center mounting locations on the cabinet ends. At both center locations, mark a 2-inch horizontal and vertical intersecting pencil line.
2. Adhere the removable hole templates (Provided) by aligning the horizontal and vertical pencil lines with the corresponding template lines over the intersections. With the templates in place, determine the desired reflector angle on the template. Using an awl, lightly pierce the cabinet through the template at the template center and desired angle. **(See Figure 10)**
3. With the templates still in place, drill a $7/64"$ \varnothing through hole at the pierced angle hole locations on both cabinet ends. On the low voltage side only, drill a $1/4"$ \varnothing through hole at the pierced center hole location. Remove hole templates. **(See Figure 11)**
4. Route a minimum $1/4" \times 1/4"$ (6mm x 6mm) grooved channel on the inside of the cabinet end. The channel should provide a wire way from the reflector to the power supply. **(See Figure 11)**
5. At the $7/64"$ \varnothing holes, install the #6 screws (Provided) leaving a $1/16"$ gap at the cabinet wall. While holding the reflector horizontally in the case, feed the low voltage wire through the the $1/4"$ \varnothing hole as you guide the reflector end brackets onto the screws.
6. With the reflector in place, ensure the end brackets are engaged onto the screws. By hand, tighten the screws to fix the reflectors position. **(See Figure 12)**
7. Route the low voltage cable in the wire way. **(See Figure 12)**
8. Mount the power supply to the underside of the cabinet.
9. Make the wiring connections as shown in the wiring diagram. **(See Figure 13)**

Notes:

The installer determines the power supply mounting location. Be sure to provide for adequate free air movement around the power supply. The low voltage cable is 156" (3.96 m) and should not be lengthened.



Stylmark Installation Instructions: 684200 Series LED Cabinet Lighting

Power Supply Information

Length of LED Light Board Runs per Power Supply

Light Board Type	100W (P/N 230982)
24V Systems	Maximum Length of Run²
LED Board Deluxe ¹	20 LFT (240")
LED Board Premium ¹	15 LFT (180")

¹ - LED Boards are designed to be powered from Constant Voltage power supplies only.

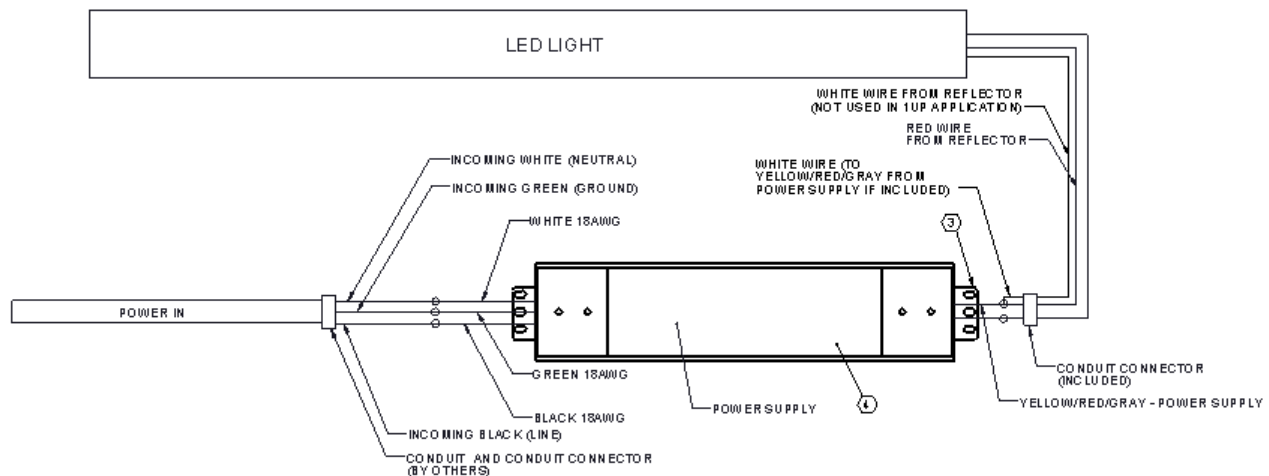
² - LED Boards are available in lengths of 4" (102mm), 12" (304mm) and 20" (508mm) in both Deluxe and Premium.

Wiring Instructions

Notes:

- 1) The installer determines the power supply mounting location.
- 2) A minimum volume of 22" (56cm) x 17" (43cm) x 3-1/2" (9cm) is required for power supply mounting.
- 3) The low voltage cable is 156" (3.96 m).

Figure 13



NOTES:

1. CONDUIT CONNECTORS TO BE SECURED TO END MOUNT PLATES INCLUDED WITH THE POWER SUPPLY OR TO KNOCK OUTS ON JUNCTION BOX.
2. SECURE CONDUIT AND HARNESS ASSEMBLY WITH CONDUIT CONNECTORS.
- ③. MOUNT POWER SUPPLY USING HOLES ON INCLUDED END PLATES (SCREWS NOT PROVIDED).
- ④. NO BALLAST BOX REQUIRED, POWER SUPPLY UNIT IS SELF CONTAINED
5. LOW VOLTAGE CABLE FROM LED LIGHT WILL BE NON-JACKETED WHEN SUPPLIED AS A DOWNTUBE MOUNT OR WILL BE JACKETED FOR ALL OTHER APPLICATIONS.
6. WHITE WIRE FROM REFLECTOR WILL NOT BE INCLUDED FOR APPLICATIONS WITH 1UP LED MODULES.