



# Installation Instructions

Wardrobe Doors  
Models: 630017, 630019,  
630021 & 630022

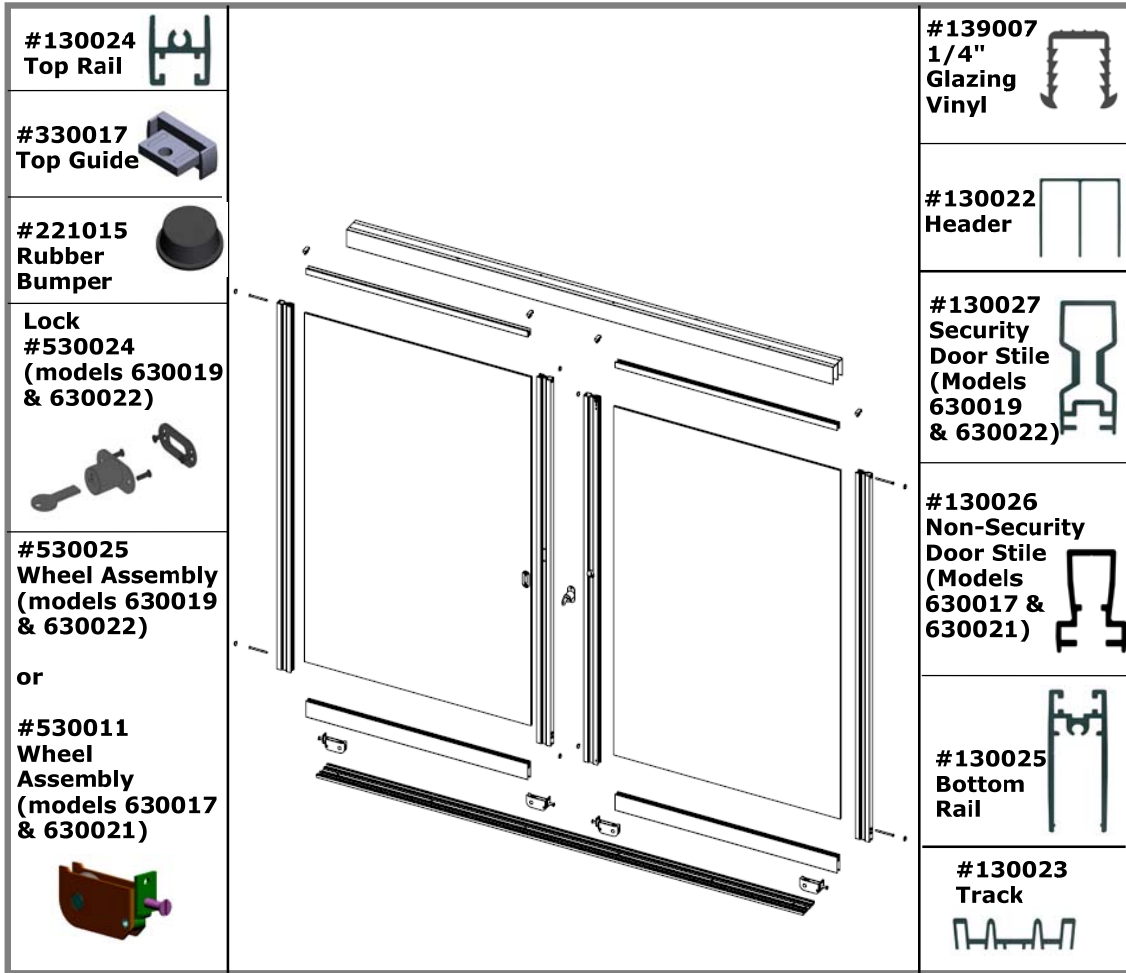


Figure 1

## INSTALLATION INSTRUCTIONS

### Before you begin

These instructions illustrate the Stylmark® Wardrobe Doors for 1/4" panels. The maximum weight capacity of one door for this unit is 125 pounds. If you have questions during assembly, call 800-328-2495 to request technical assistance. This package does not include panels and mounting screws, which are necessary for complete assembly.

### Tools you'll need

- Rubber mallet
- Phillips screwdriver
- Drill with #29 bit
- Utility Knife
- Plumb bob

**Please read these instructions carefully before beginning installation.**

# Stylmark Installation Instructions: Wardrobe Doors

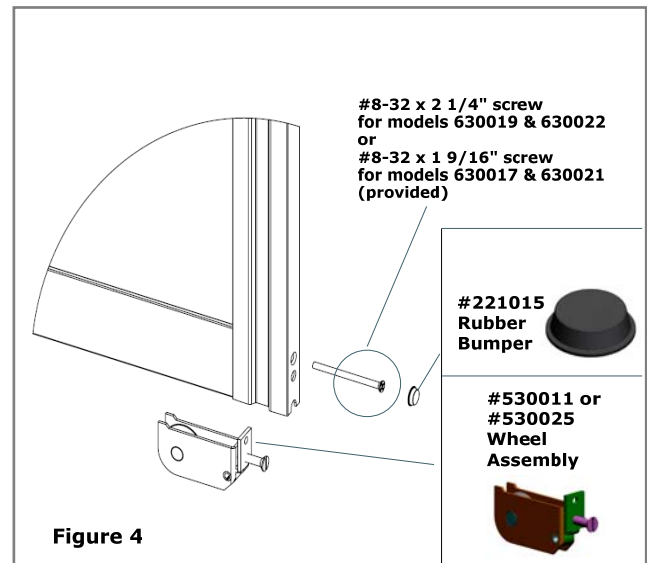
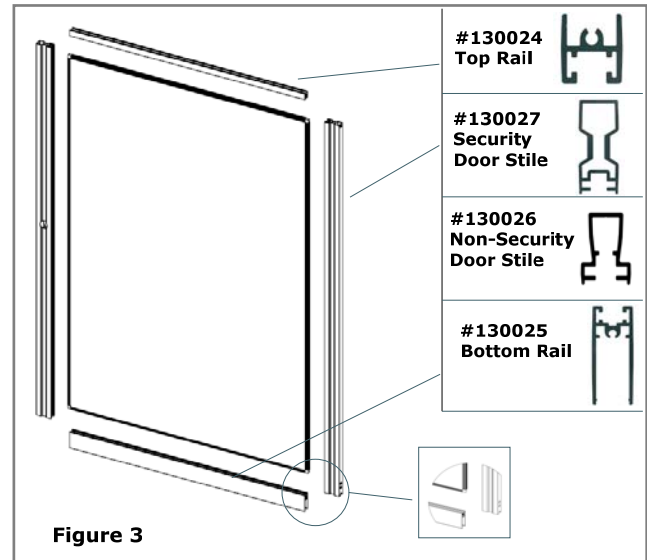
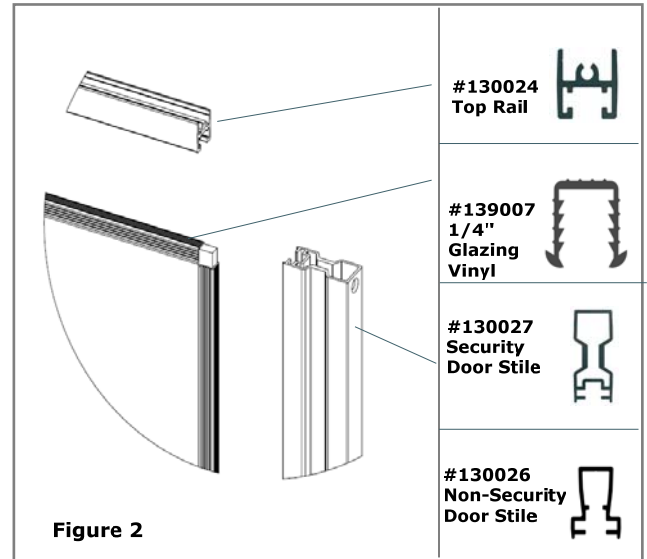
Models: 630017, 630019, 630021 & 630022

## Getting Started:

These instructions are for pre-fabricated wardrobe door assemblies. Assembly typically requires two people. Follow the instructions for the assembly ordered.

## Step-by-Step Instructions:

1. Press glazing channel onto the edges of the door panel. Slit the channel at the corners with an utility knife to eliminate bulge. **See Figure 2.**
2. Center the top and bottom rails onto the panel and tap into place using a rubber mallet. Rails should fit snugly against the glazing vinyl. **See Figure 2.**
3. Position the stiles onto the sides of the panel so that the notched ends are at the bottom. Tap the stiles into place using a rubber mallet. Stiles should fit snugly against the glazing vinyl. **See Figure 3.**  
Note: Security doors must have the stiles orientated properly. **See Figure 6A & 6B.**
4. Insert wheel assemblies into the slots at the bottom of the stiles. Wheel assembly part # 530011 is for non-security stile part # 130026 & wheel assembly part # 530025 is for security stile part # 130027. Line up the adjustment screw with the bottom hole in the stile. **See Figure 4.**



Sheet# 971147  
Rev B (7/09)

# Stylmark Installation Instructions: Wardrobe Doors

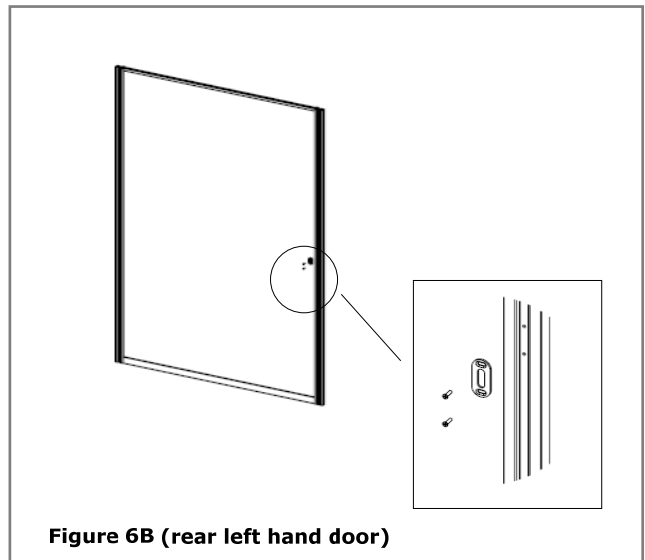
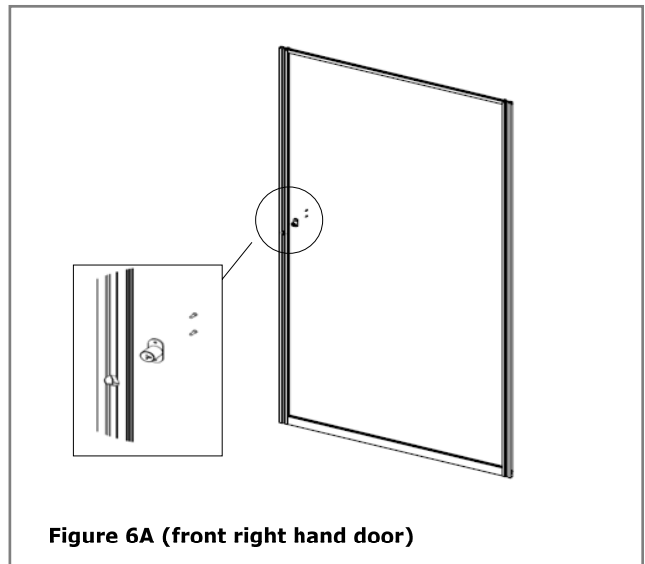
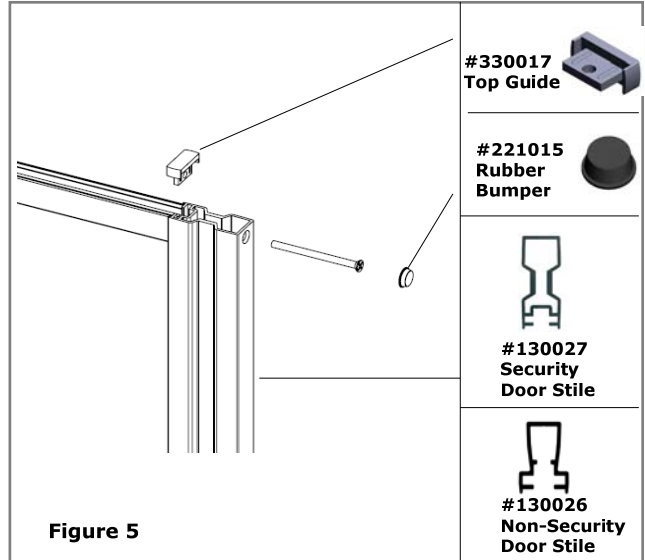
## Models: 630017, 630019, 630021 & 630022

### Getting Started:

These instructions are for pre-fabricated wardrobe door assemblies. Assembly typically requires two people. Follow the instructions for the assembly ordered.

### Step-by-Step Instructions Continued:

5. Insert the plastic top guide into the slots at the top of the stile. **See Figure 5.**
6. Secure the assembled frame at each corner using #8 - 32 x 2 1/4" screws (part # 213017) for models 630019 & 630022 or #8 - 32 x 1 9/16" (part # 213036) for models 630017 & 630021. **Note:** Screws at the bottom must pass through the clearance hole in the wheel assembly. Screws at the top must pass through the clearance hole in the plastic top guide. **See Figure 5.**
7. Press the adhesive bumpers onto the top and bottom of each stile, covering the exposed screw heads. **See Figure 5.**
8. Repeat steps 1-7 to assemble additional door panels.
9. If ordered, install lock & strike plate to stiles. **See Figure 6A and 6B.** Typical installation: Lock installs on the front right hand door and strike plate installs on the rear left hand door. The strike plate is part of the lock assembly (part# 530024).



Sheet# 971147  
Rev B (7/09)

# Stylmark Installation Instructions: Wardrobe Doors

## Models: 630017, 630019, 630021 & 630022

### Step-by-Step Instructions – Installation:

1. Mount the header (part# 130022) to the top of the door opening using #8 x 1 ¼" screws (part# 212037). **See Figure 7. Note:** Install the header so that the attached sticker is not visible.
2. Using a plumb bob to position the track with the center of the header. Mount the track (part # 130023) to the bottom of the door opening using #8 x 1" flat head screws (part # 212030). **See Figure 7. Note:** It is not recommended that the track be installed over carpeting.
3. Insert the rear door panel up into the header and lower bottom onto the track. Adjust the door to align vertically with the side jambs by turning the adjusting screw in the wheel assembly at the bottom of each door stile. **See Figure 8. Note:** For best appearance, door panel should be adjusted to the lowest possible position to avoid scraping against the track or losing guidance in the header.
4. Insert and adjust the front door panel following steps 1-3.

