

Installation Instructions

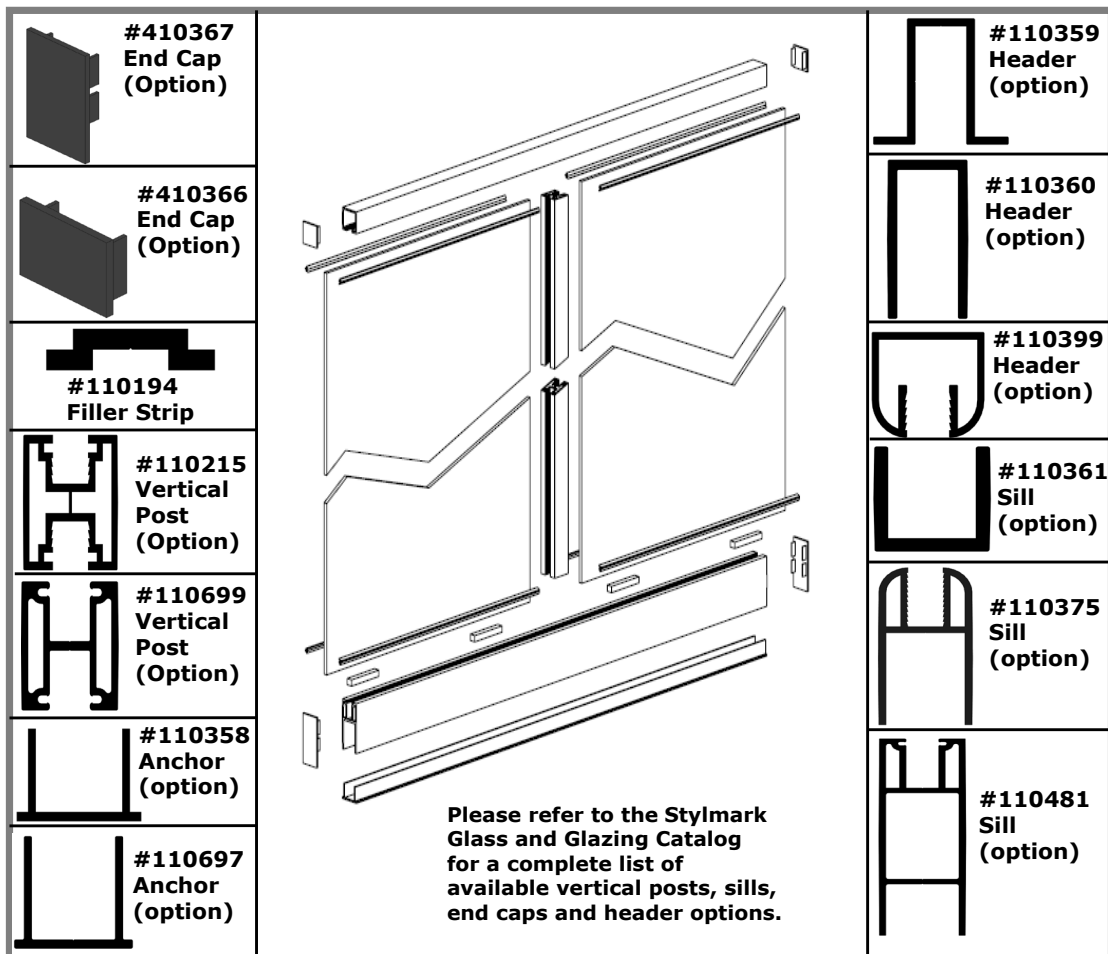


Figure 1

INSTALLATION INSTRUCTIONS

Before you begin

These instructions illustrate the installation of the Stylmark WallMaker™ system. Stylmark WallMaker System is designed for use with 3/8" or 1/2" glass panels. If you have questions during assembly, call 800-328-2495 to request technical assistance.

Tools you'll need

- Chalk line & plumb bob
- Pencil
- Rubber mallet
- Slotted or Phillips screwdriver
- Screws (determined by application) (obtain locally)

Please read these instructions carefully before beginning installation.

Stylmark Installation Instructions: WallMaker™

Getting Started:

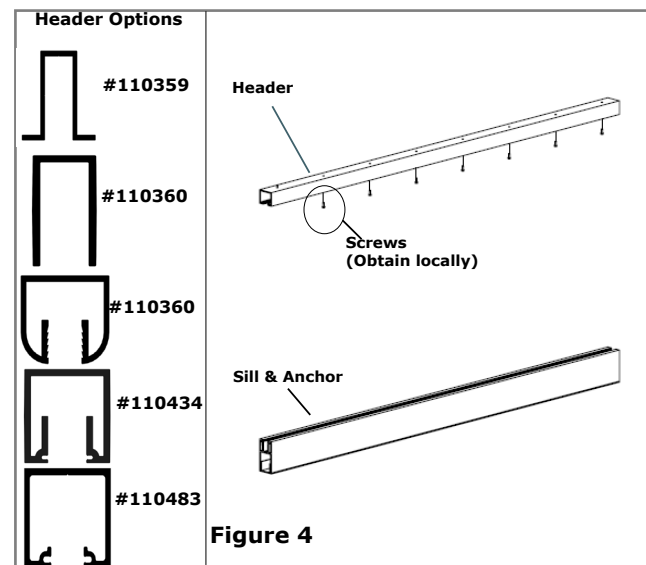
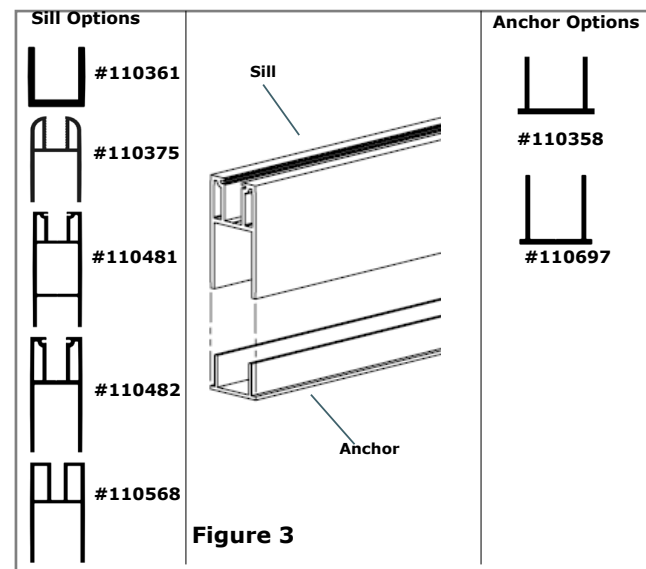
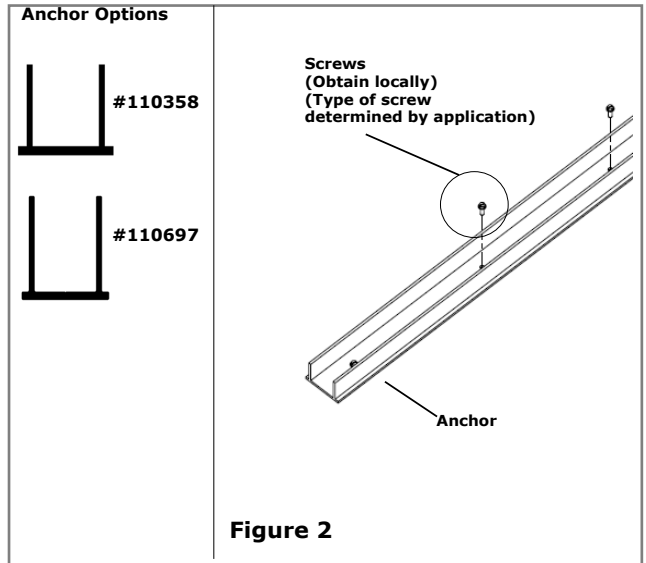
The Stylmark WallMaker system supports both 3/8" or 1/2" sheet glass up to 10' tall with proper side support. Typically, it is used in storefront and glass wall applications. WallMaker is sold in stock length 12' sections and is custom fit for each installation. As a result, Stylmark does not have direct control over the product installation or the site conditions. We recommend that the WallMaker be mounted and supported in accordance with to the local, state and federal applicable building codes. The design and execution of the installation will determine the final system strength.

WallMaker has been in commercial use since 1986. It has been installed in thousands of applications throughout the U.S. and has demonstrated to be a safe and reliable product.

These instructions are for Stylmark WallMaker. WallMaker can be ordered in stock lengths or custom fabricated to achieve your design needs. For header and sill options, see your Stylmark Glass and Glazing Catalog.

Step-by-Step Instructions:

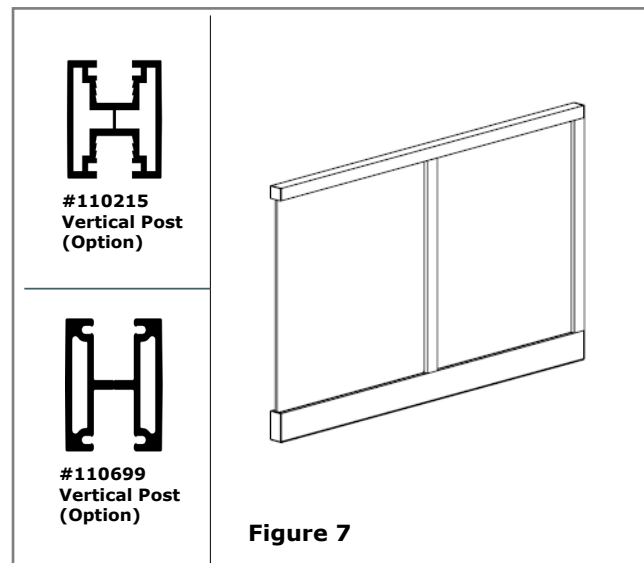
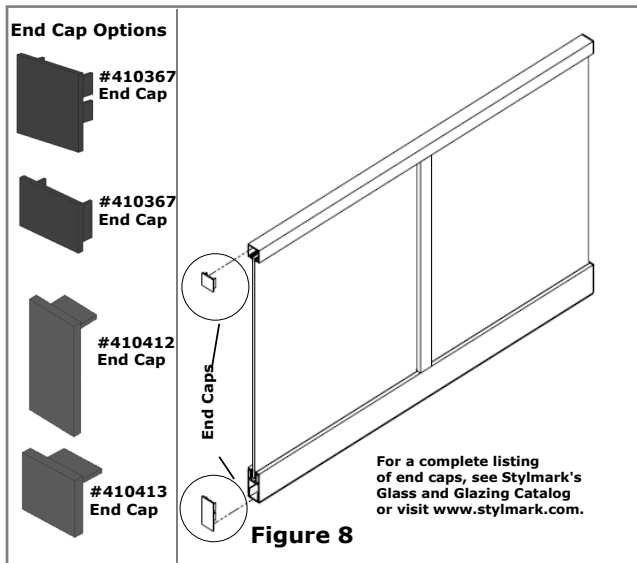
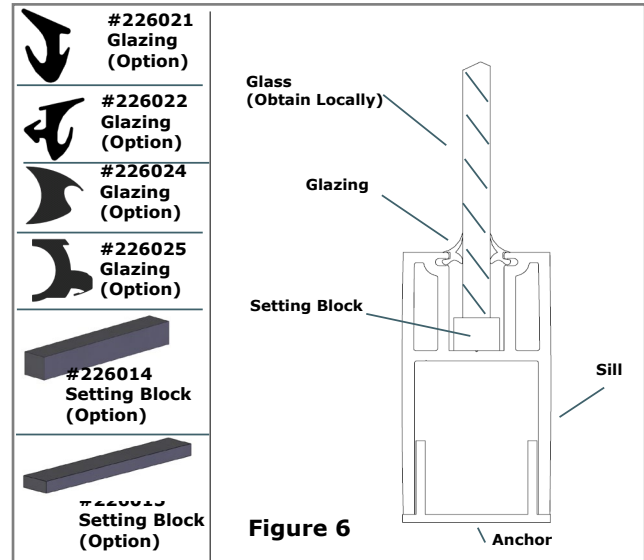
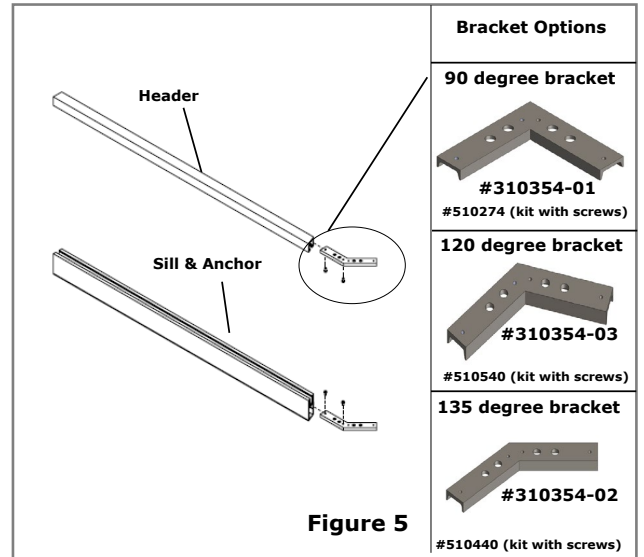
1. Determine placement of the WallMaker system and mark with a chalk line or pencil on the floor.
See Figure 2.
2. Fasten the anchor channel to the floor using screws (obtain locally).
See Figure 2.
3. Place the sill over the anchor channel and secure. **See Figure 3.**
4. Position the header at the ceiling and fasten with screws (obtain locally). Use a plumb bob to determine the placement of the header. Shim the header to maintain a square position directly above the sill.
See Figure 4.



Sheet# 971221
Rev C (4/19)

Stylmark Installation Instructions: WallMaker™

- Applications using mitered corners will use 90°, 120° or 135° steel miter brackets on header and sills. **See Figure 5.**
- Position the neoprene setting blocks in the sills' glass channel. **See Figure 6.**
- Insert the glass panel by pushing it up into the header and lowering the bottom edge onto the setting blocks. **Option:** Multi-panel WallMaker systems may require a vertical post between glass panels. Vertical posts are fitted between header and sill. **See Figure 6 & 7.**
- Secure the glass at the header and sill by pushing glazing strips into place. Glazing part numbers #226022 and #226025, may be positioned into place first, followed by the glass and then secure by pushing in the second piece of glazing. **See Figure 6.**
- Install end caps on exposed ends of headers and sills. **See Figure 8.**



Sheet# 971221
Rev C (4/19)