



StretchFrame™ Extra Low  
Profile Single-Sided  
Non-lit Tension Fabric Display (TFD) Frame

## Installation Instructions

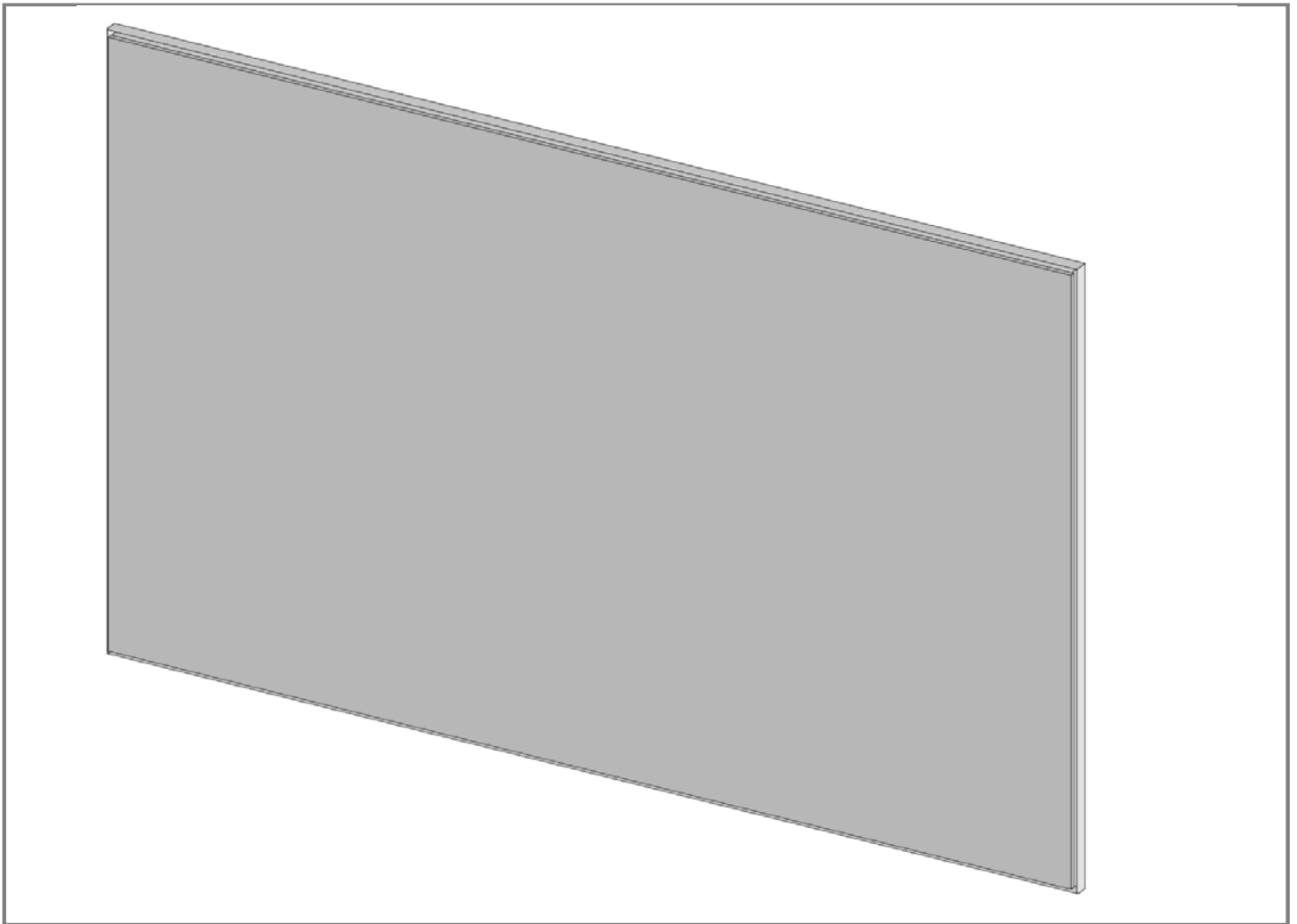


Figure 1

### INSTALLATION INSTRUCTIONS

#### ***Before you begin***

These instructions illustrate the Stylmark® StretchFrame™ Extra Low Profile Tension Fabric Display Frame. If you have questions during assembly, call 800-328-2495 to request technical assistance.

#### ***Tools/Materials you'll need***

- #8 or similar sized fasteners
- Flat blade screwdriver
- #2 Phillips screwdriver
- Tape measure
- Level
- Drill with 3/16" bit

**Please read these instructions carefully before beginning installation.**

Part Number# 971699  
Rev C (5/17)

# Stylmark Installation Instructions: StretchFrame™ Model #690123

## Getting Started:

These instructions are for the Stylmark® StretchFrame™ Extra Low Profile Tension Fabric Display Frame. Follow the instructions for the assembly ordered. StretchFrames™ ship unassembled along with hardware kit for typical installation to drywall. Other wall surfaces will require appropriate hardware as determined by the installer.

## Step-by-Step Instructions:

1. On a level surface, layout the four frame extrusions and corner bracket assemblies as it will be assembled.
2. Slide a corner bracket assembly into each end of the two vertical frame extrusions and turn the setscrews so that the corner bracket assembly are held in place within the extrusion channel. Do not fully tighten yet. (each corner bracket assembly consists of a plain bottom bracket and a top bracket with setscrews) See **Figure 2**.
3. Slide the corner bracket assembly into the adjacent horizontal frame extrusions. Ensure that the two extrusions meet to form a tight corner. Hand tighten both setscrews.
4. Repeat steps 2 for all four corners.
5. Identify the desired location of the frame on the wall and mark the positions of the mounting screws, using supplied mounting z-clips to reference mounting location. See **Figure 3**.
6. For typical installation to drywall:
  - Drill 3/16" holes through the marks and install the plastic anchors. The head of the anchor must be flush with wall surface.
  - Insert the #8 screws (supplied in the mounting kit, part #591091) through the mounting z-clips into anchors and tighten. Final leveling of the frame can be achieved by adjusting the mounting clips. See **Figure 4**.
7. For other installations:
  - Installer shall select appropriate fastener/anchor for wall surface type.
  - Openings in z-clips are 3/16" wide.

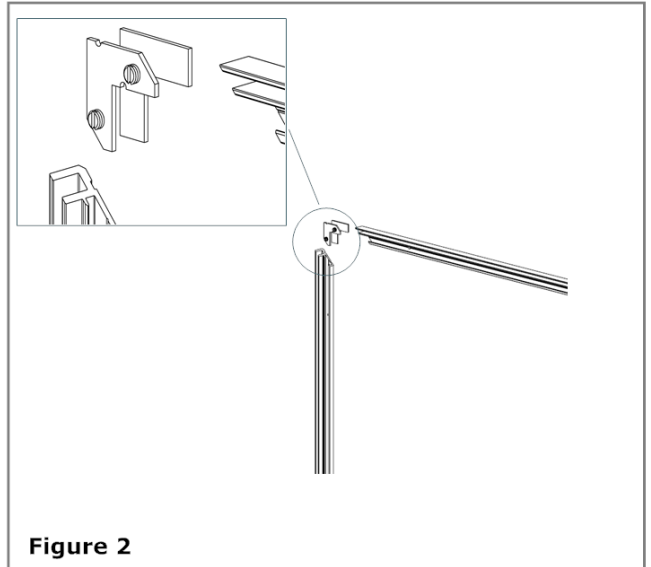


Figure 2

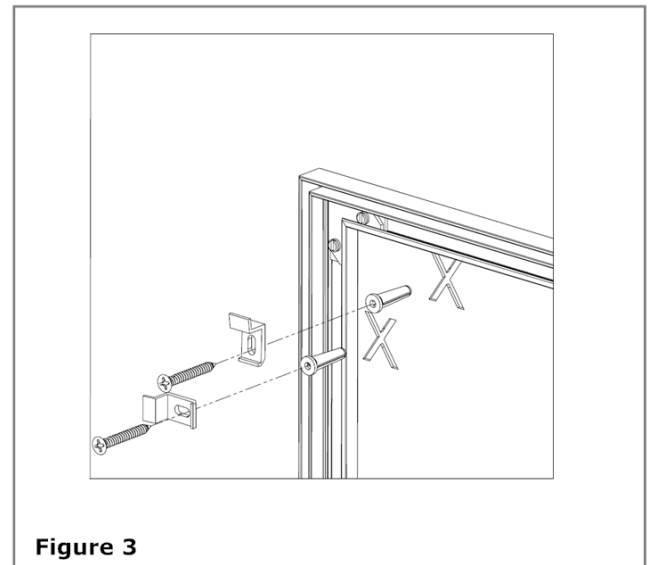


Figure 3

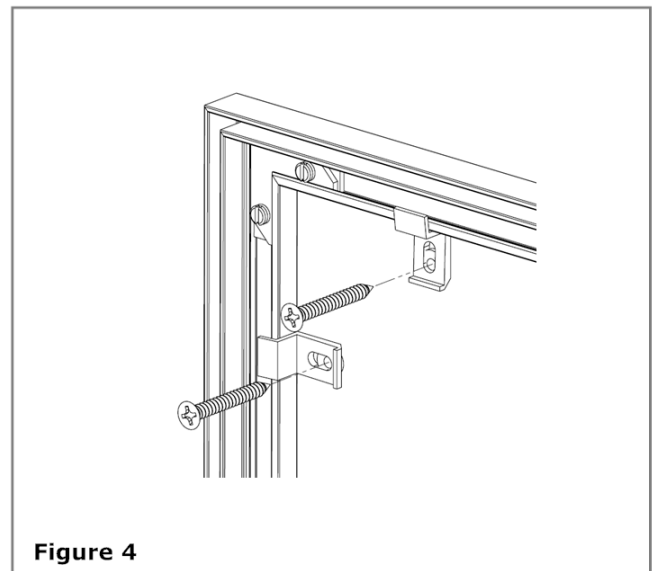


Figure 4

Part Number# 971699  
Rev C (5/17)

**Step-by-Step Instructions – Graphic Installation:**

1. Begin graphic installation by inserting the silicone edge gasket (SEG) into the frame channel at all four corners.
2. Continue inserting the SEG into the channel by working evenly from the corners toward the center of each side until the SEG is fully inserted on all sides of the frame.

**Step-by-Step Instructions – Graphic Removal:**

1. Locate the small tag sewn to the edge of the graphic.
2. Carefully pull on the tag, drawing the SEG from the frame channel.