

Figure 1

INSTALLATION INSTRUCTIONS

Before you begin

These instructions illustrate the Stylmark® Rolling Door Assembly for all metal and glass end showcase applications. If you have questions during assembly, call Stylmark's technical help line. This package does not include glass or other door panels, which are necessary for complete assembly.

Tools you'll need

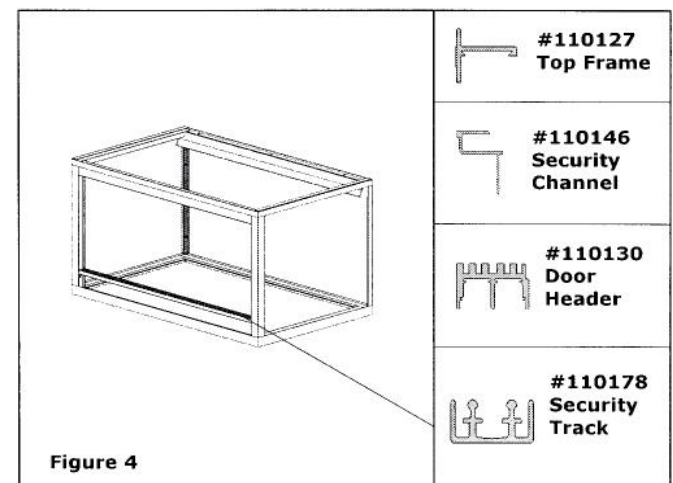
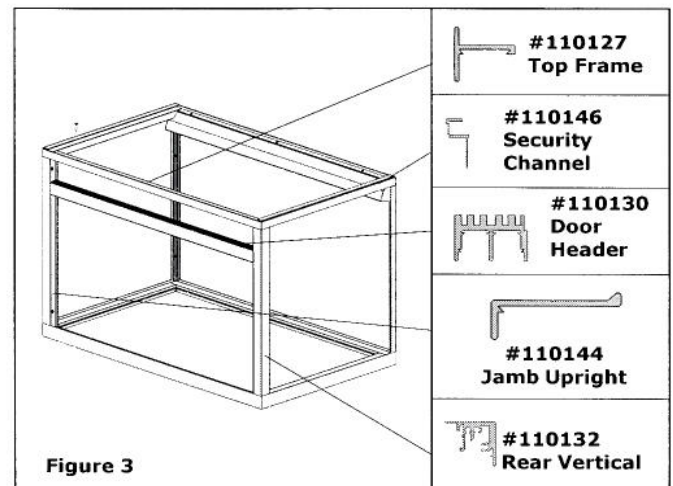
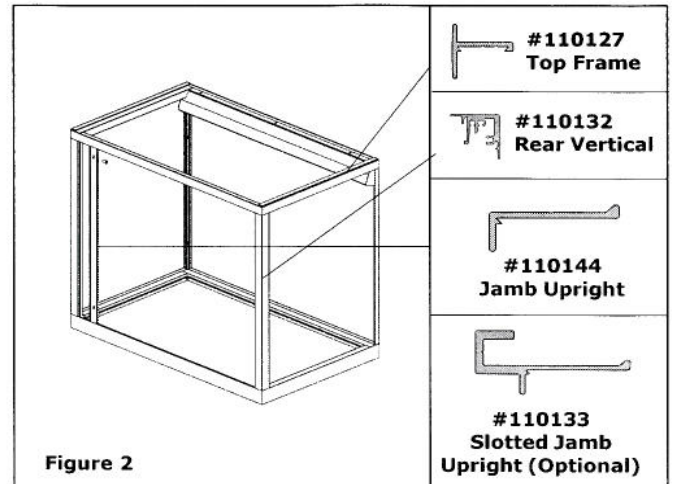
- 2 Phillips screwdrivers (medium sized heads)
- 2 Regular screwdrivers
- Scissors
- Rubber mallet

Please read these instructions carefully before beginning installation.

Stylmark Installation Instructions: Rolling Door Assembly – Glass End

Step-by-Step Instructions

1. Attach side jamb uprights to the rear vertical post with #8 flat screws (part #510134) through the pre-drilled holes in the jambs. **See Figure 2.**
2. Attach rolling door header to the underside of the rear top frame with #8 flat screws (part #510137) through pre-drilled holes in the top frame. **See Figure 3.**
3. Place the security track into the rear bottom frame. No fastening is necessary. **See Figure 4.**
4. Remove the adhesive backing from the vinyl bumper strips (part #119029) and insert them into the side jamb uprights and / or into the center mullion (installed if over 62"). **See Figure 5.**
5. Assemble (without fasteners) the doorframe pieces. **See Figure 6.** Mark each piece for left or right door panel.
6. Cut lengths of black vinyl glazing tape to fit around the edges of the door panel.
7. Fit the verticals onto the panel and tap into place with a rubber mallet.
8. Fit top molding over the verticals and the door panel and tap into place with a rubber mallet.
9. Fit the shoe onto the door panel and tap into place with a rubber mallet. **See Figure 6. Caution: Do not damage door retainers.**
10. Make sure the glazing materials fit evenly. Trim if necessary.



Stylmark Installation Instructions: Rolling Door Assembly – Glass End

11. Attach the top molding and shoe to vertical pieces with #6 screws (part #510167). **See Figure 6.**
12. Insert shoe end caps and tighten with a screwdriver. Top molding shoe is pre-punched to align with the options we offer.
13. Repeat steps 6 through 12 for the other door panel.
14. Assembly numbers 610187, 610188 and 610189 require overlapping doors to allow for alignment of door verticals. In this case, a shoe filler (part #410515) is used in the rear shoe. This overlap also enables the glass for both the front and rear doors to remain the same size. **See Figure 7.**
15. Insert the rear (left side) door panel into the rear header, top side first, above the notch in the lower track. Fit the shoe over the rear bottom track, and slide the panel to the left.
16. Insert the front (right side) door panel into the front header, top side first, above the notch in the lower track. Fit the shoe over the rear bottom track, and slide the panel to the right.
17. If you need to remove the door panels, slide the panel to the notch in the bottom security track, push the panel up, and pull the lower edge out toward you.
18. Add the top glass security channel to each side of the top glass and set in place.
19. Position the security angles (match up with reflectors) and remove the tape. Permanently attach them to the security channel (Double sided tape is already attached to the security channel).

