



Optima LED® StretchLite Backlit Graphic Display

Installation Instructions

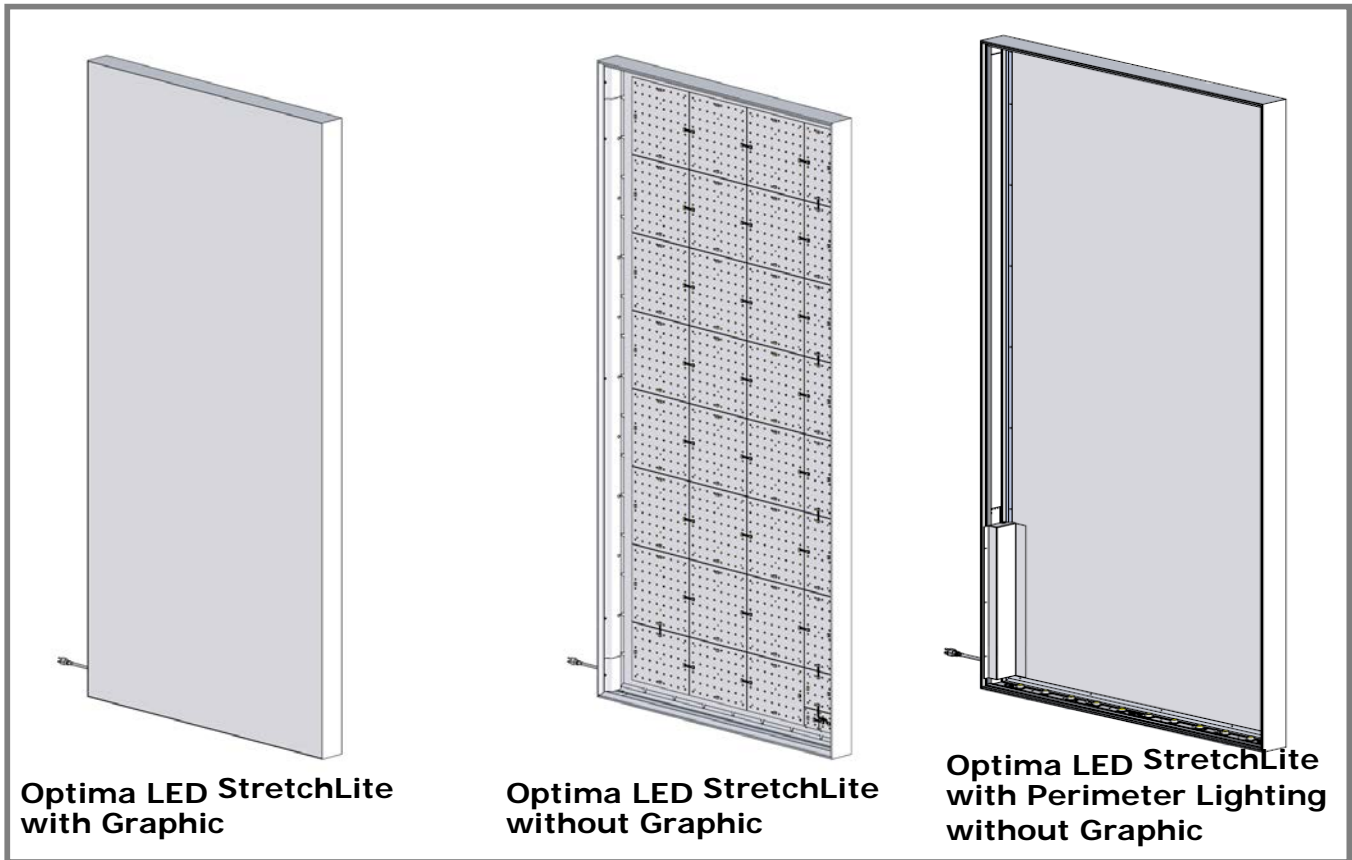


Figure 1

INSTALLATION INSTRUCTIONS

Before you begin

These instructions illustrate the Stylmark Optima LED® StretchLite Backlit Graphic Display. If you have questions during assembly, call 800-328-2495 to request technical assistance.

Tools you'll need

- Screwdriver
- 1/4" Drill (varies by application)

Please read these instructions carefully before beginning installation.

Part Number# 971770
Rev C (5/16)

Stylmark Installation Instructions: Optima LED® StretchLite

Getting Started:

These instructions are for Optima LED® StretchLite Backlit Graphic Display. Follow the instructions for the assembly ordered.

Please review all electrical requirements on the label before connecting. Do not use improper current.

If the unit is hard-wired, a qualified electrician should perform electrical connection.

This sign is intended to be installed in dry locations only and in accordance with the requirements of Article 600 of the National Electrical Code and/or other applicable local codes. This includes proper grounding and bonding of the sign.

Step-by-Step Instructions – Mounting – Fully Assembled Unit:

1. If keyholes have been provided, hold the unit against the wall in the desired location and mark the positions of the mounting screws through the tops of the keyhole slots. **See Figure 2A and 2B.**
2. Using ¼" drill bit, drill through the marks and install the plastic anchors. **See Figure 2A and 2B.**
3. Insert the mounting screws, leaving about 1/4" to 3/8" protruding.
4. Position the unit over the screws. Pull down lightly to ensure proper seating of the keyhole slots over the screws.
5. If there are no keyholes, drill through the back panel as near to the outer edge as possible. Mark and install plastic anchors, then screw through the back panel into the plastic anchors.

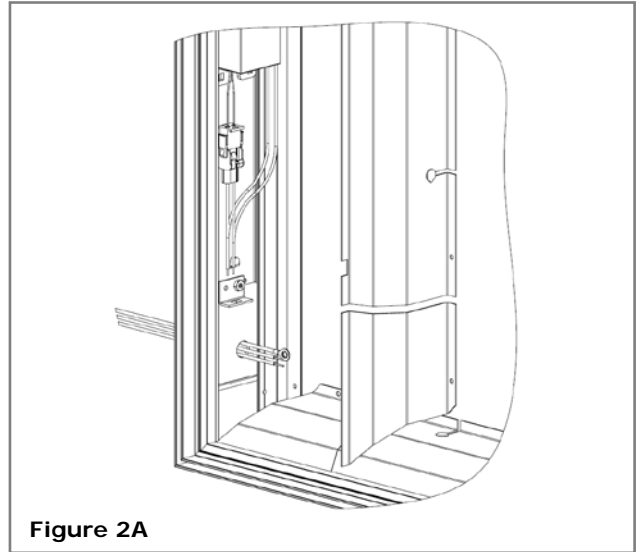


Figure 2A

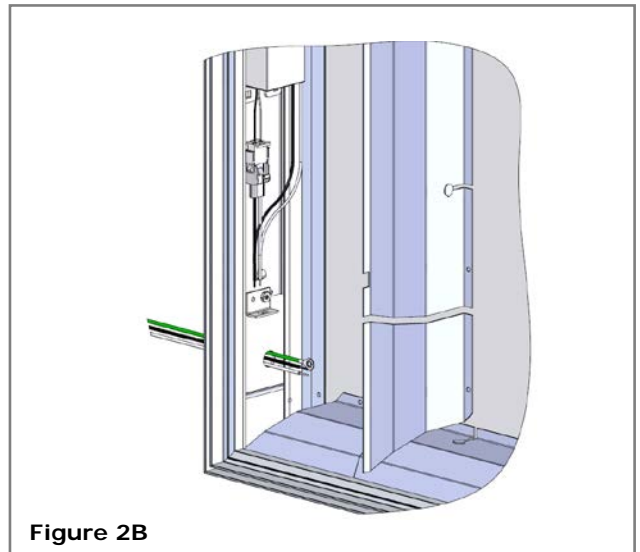
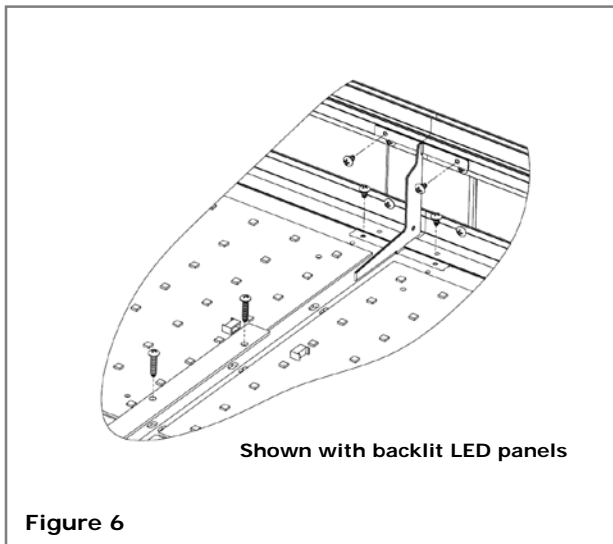
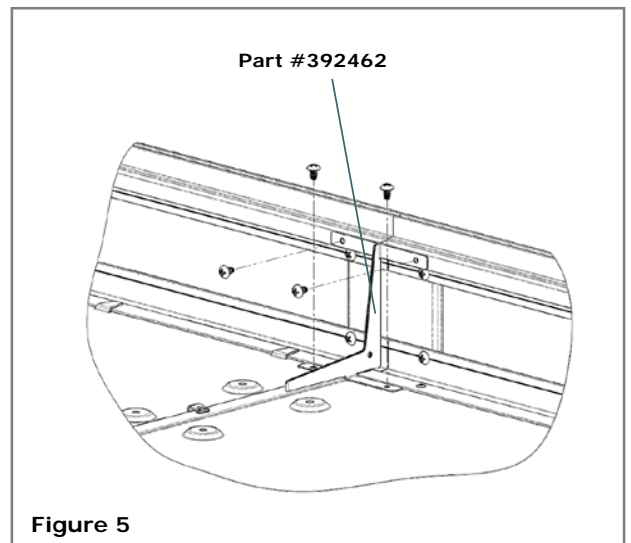
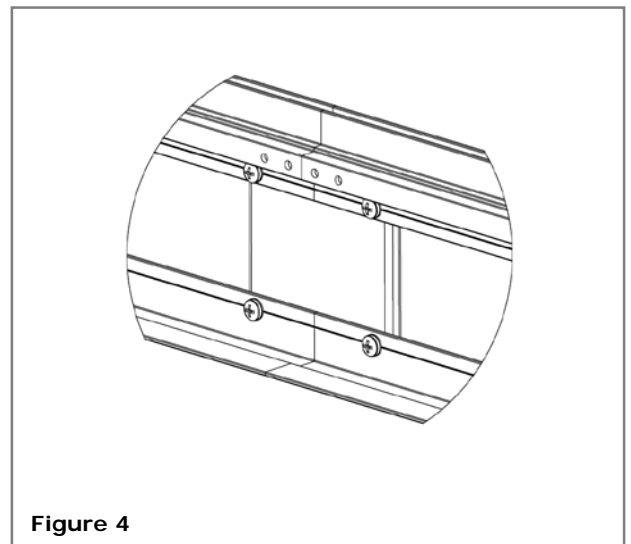
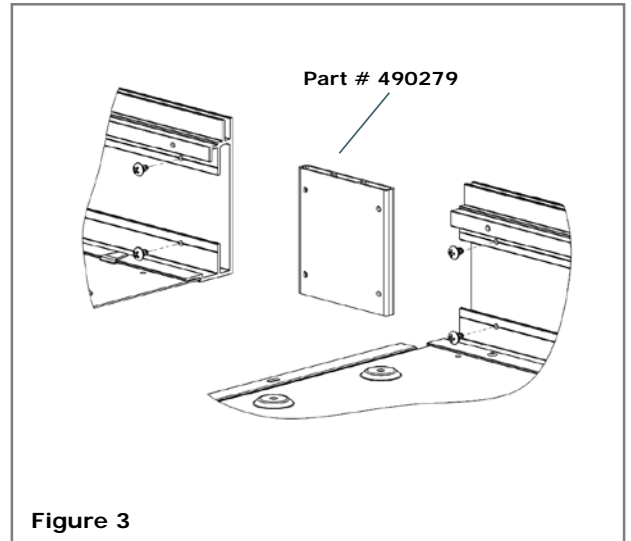


Figure 2B

Stylmark Installation Instructions: Optima LED® StretchLite

Step-by-Step Instructions – Mounting - Section Assembly:

1. Adjoining sections are held together by splice plates (part #490279). **See Figure 3.**
2. Begin by installing the splice plates into the ends of one section. Install and tighten the screws so that the splice plates are held in place. **NOTE:** You may need to remove the wire covers first to access this area.
3. Slide on the end of the next section, check for alignment and adjust as needed. Tighten all the screws. **See Figure 4.**
4. Screw bracket (part #392462) into place. **See Figure 5.**
5. Locate the connector strip and place it over the joint between the two sections. Center the strip in the box so that the holes align on both sections. Install screws (obtain locally) through the connector strip, back panels, and into the mounting wall. **See Figure 6.**

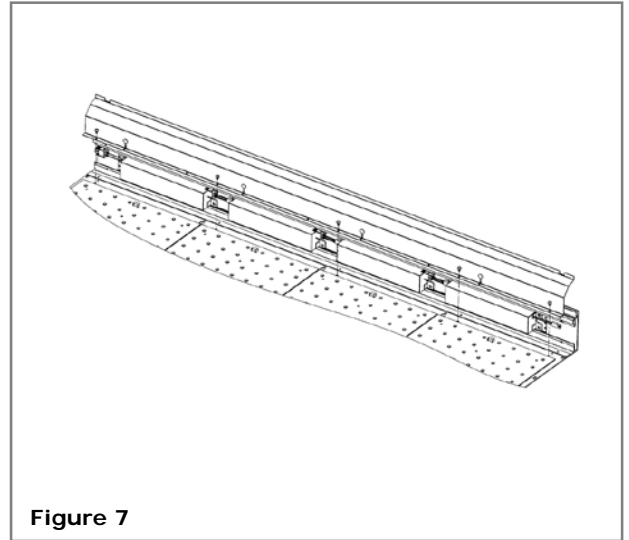


Part Number# 971770
Rev C (5/16)

Stylmark Installation Instructions: Optima LED® StretchLite

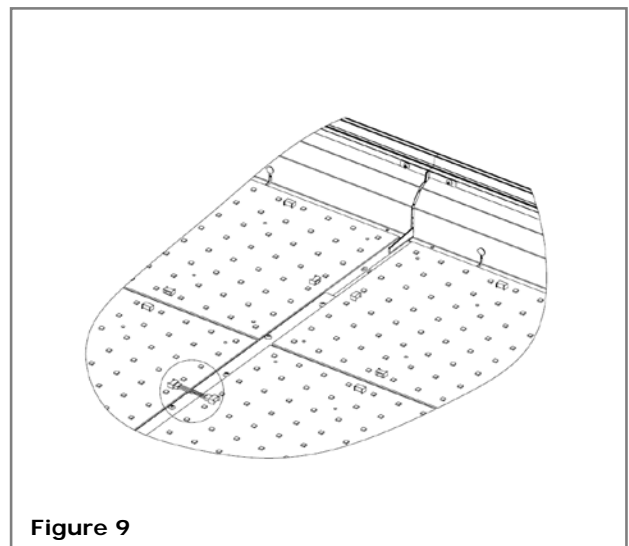
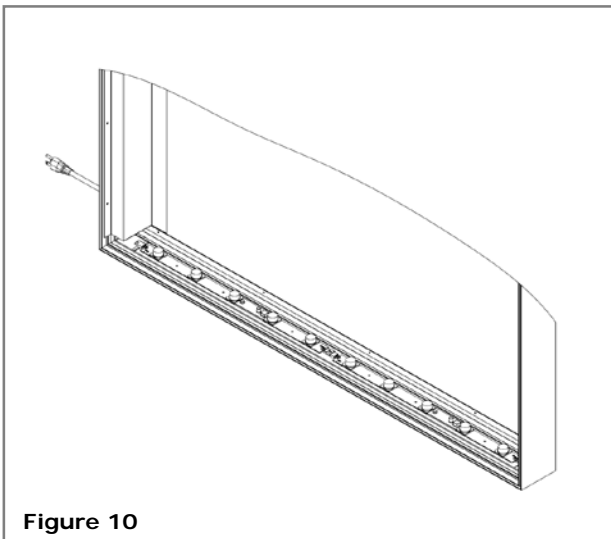
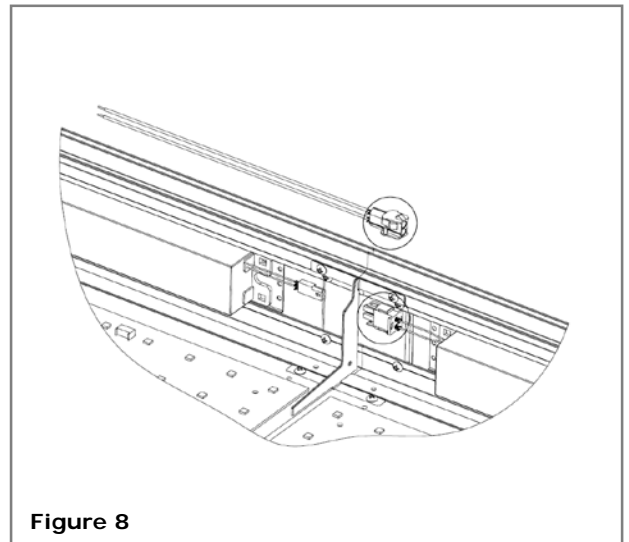
Step-by-Step Instructions – Electrical Connections – Section Assembly:

1. Remove the wire covers to access the line voltage wire harnesses. **See Figure 7.**
2. Make the connection between sections by inserting the male connector into the female connector. **See Figure 8.**
3. Re-install the wire covers.
4. Inspect the splice joints between sections. Connect any loose jumper cables that span across the splice joint by inserting the end of the jumper into the connector located on the adjacent LED board. **See Figure 9**



Step-by-Step Instructions – Graphic Installation:

1. Begin by inserting the corner of the graphic into each channel, working opposite corners.
2. Insert the midpoint of the graphic into the channel on each side.
3. Continue tucking the sides into the channel by inserting the middle of the remaining sections.
4. Finish by working the rest of the each edge smoothly into the channel, working out any bunching or wrinkles.
5. To remove the graphic, pull on the tag.



Part Number# 971770
Rev C (5/16)