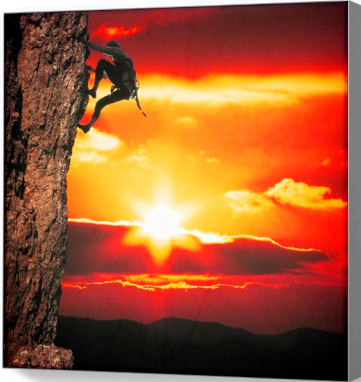


Optima LED® Knocked Down StretchLite Graphic Display

Data Sheet



General Description: Meeting retail demands for high-impact environments, Stylmark introduces the Optima LED Knocked Down StretchLite Light Box to create arresting and compelling merchandise displays with tension-fabric graphics. The newest addition to Stylmark’s family of Optima LED light boxes, the Optima LED Knocked Down StretchLite combines the brilliance and uniformity of LED technology with the dramatic dimensions of tension fabric displays to help retailers, designers and visual merchandisers achieve unrivaled visual impact. Plus, LEDs are more efficient, require less maintenance, and are better for the environment than fluorescent light sources.

Applications: Retail environments, airports, museums, restaurants, corporate offices

Key Features:

- Unique LED placement and advanced design delivers bright, uniform illumination and eliminates hot spots
- Single-sided model designed for wall mounting
- Designed for back-lit tension fabric graphics (such as dye-sublimation printed triple white fabric)
- ADA Compliant, single-sided less than 4” (100mm) depth from wall
- Available in custom sizes
- Built in features to accommodate optional diffuser and back wall fabric panels
- Available in a variety of colors and finishes
- 2-year Warranty

Dimensions:

Cabinet Depth: 3.95” (100mm)
Cabinet /Graphic Size (max): 6’x30’

Lighting:

Perimeter Lit LED Modules¹: Approximately 650 lumens/lin. ft.
Color Temperature: 6500K

Construction Features:

Graphic Holder Type: SEG (silicone edge gasket) channel, 0.5”x 0.125”

Power Specifications:

Voltage (input): 90~305VAC (50~60 Hz)
Current @120VAC¹: 0.084A/lin. ft.
LED Power Consumption (@24VDC)¹: 6.56 W/ lin. ft.

Power Connection:

Hardwired only

Weight (approximate)

1.8 lbs. / lin. ft.

Environmental Specifications:

Protection Rating: For indoor use only – dry locations
Temperature Range: 60° to 104°F (16° to 40°C)

¹ For total amperage or wattage, multiply by the sum of the lengths of the lit sides (typically the two longer dimensions, confirmed by Stylmark)



File No. E226551

In order to continually improve our products, Stylmark reserves the right to make changes to specifications or materials without prior notice.

Ordering Information:

Orientation:

- Portrait
- Landscape

Dimensions:

- Height _____
- Width _____

Finish:

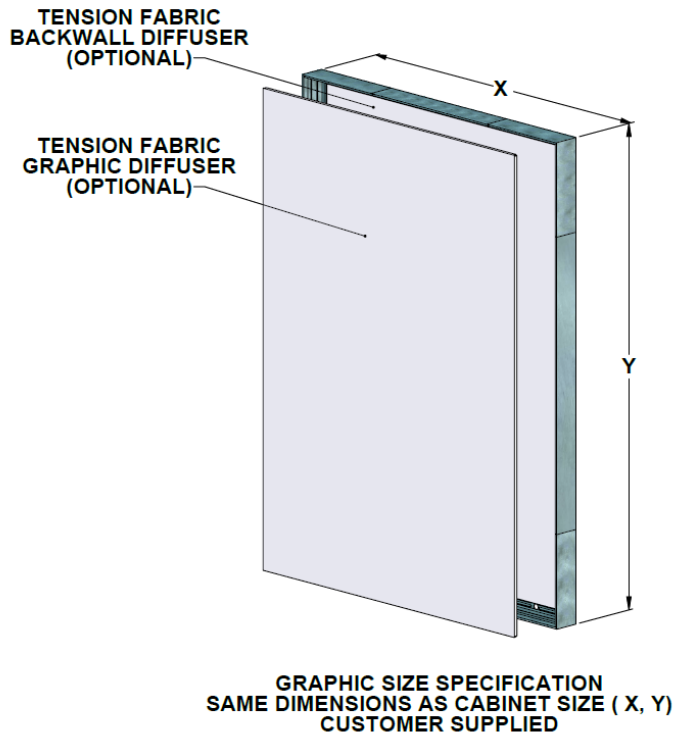
- Anodized: _____
(Enter finish number)
- Powder Coat: _____
(Enter finish number or name/color of paint)

Power Location (see defaults below):

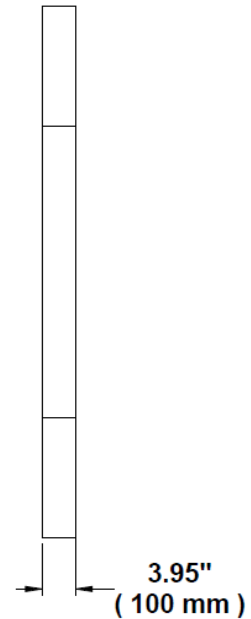
- Back, Bottom (left / right)
- Back, Top (left / right)

Optional Diffusers:

- Back Wall Fabric Diffuser
- Front / Offset Fabric Diffuser



4" Single-Sided Profile View



Power Location Defaults:

Wall Mounted, landscape orientation = back side, bottom left-hand location
Wall Mounted, portrait orientation = back side, bottom left-hand location