



# Optima LED® 5" Double-Sided StretchLite Perimeter Lit Graphic Display

## Installation Instructions

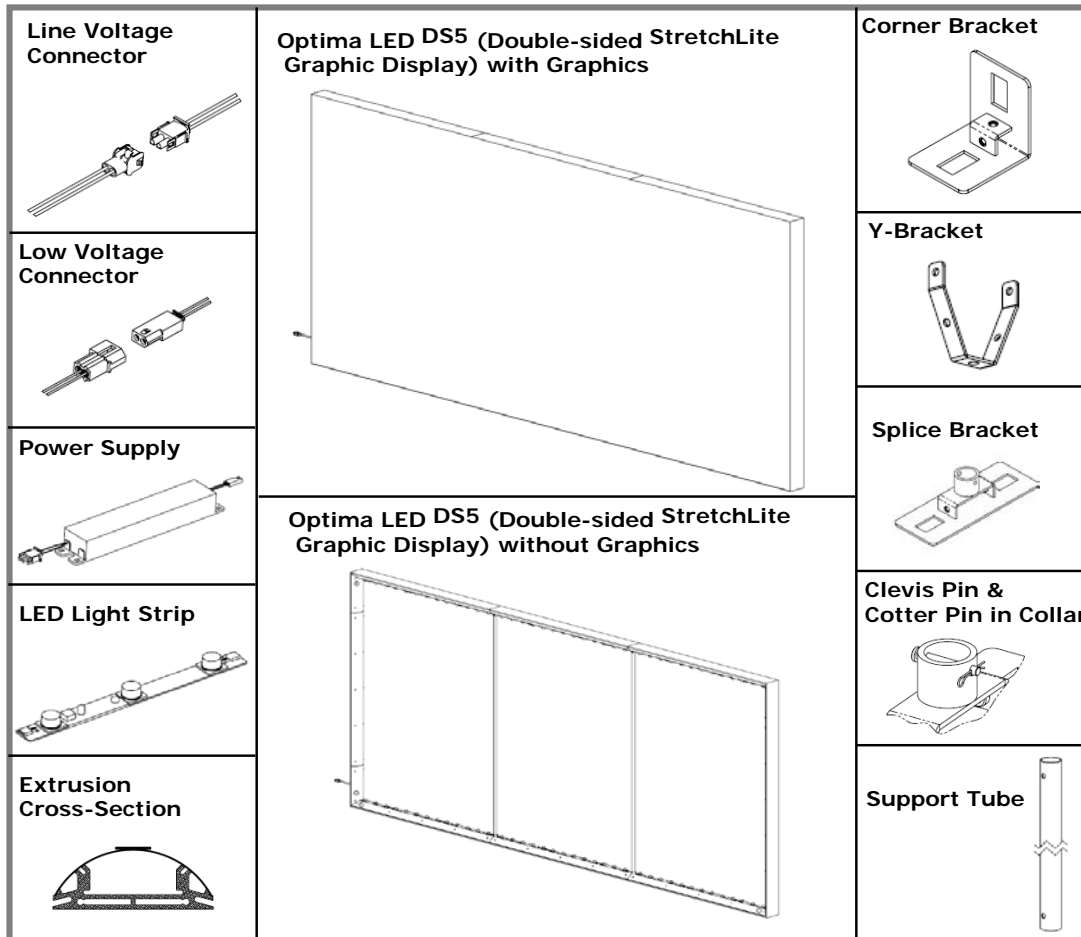


Figure 1

## INSTALLATION INSTRUCTIONS

### *Before you begin*

These instructions illustrate the Stylmark Optima LED® 5" Double-Sided StretchLite Perimeter Lit Graphic Display. If you have questions during assembly, call 800-328-2495, Monday – Friday, 8:00am to 4:30pm, to request technical assistance.

### *Tools you'll need*

- Phillips Head Screwdriver
- 3/16" Hex Key Wrench

**Please read these instructions carefully before beginning installation.**

Part Number# 971830  
Rev B (05/16)

Stylmark, Incorporated ♦ 6536 Main Street NE, PO Box 32008 ♦ Minneapolis, MN 55432  
1-800-328-2495 ♦ www.stylmark.com

# Stylmark Installation Instructions: Optima LED® DS5 Perimeter Lit

## Getting Started:

These instructions are for an Optima LED® 5" Double-Sided StretchLite Perimeter Lit Graphic Display. Follow the instructions for the display ordered.

Please review all electrical requirements on the label before connecting. Do not use improper current.

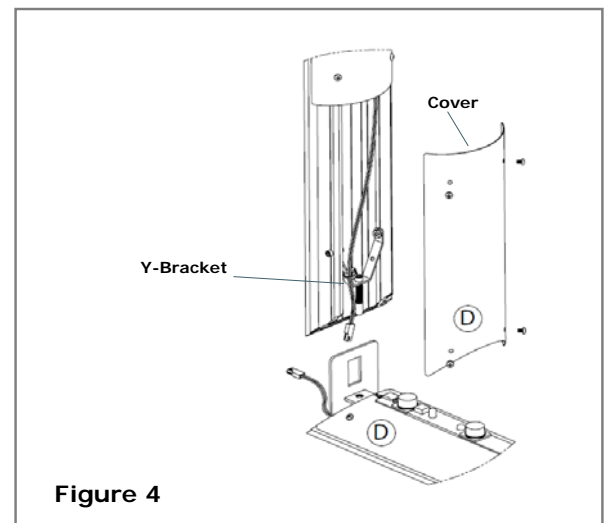
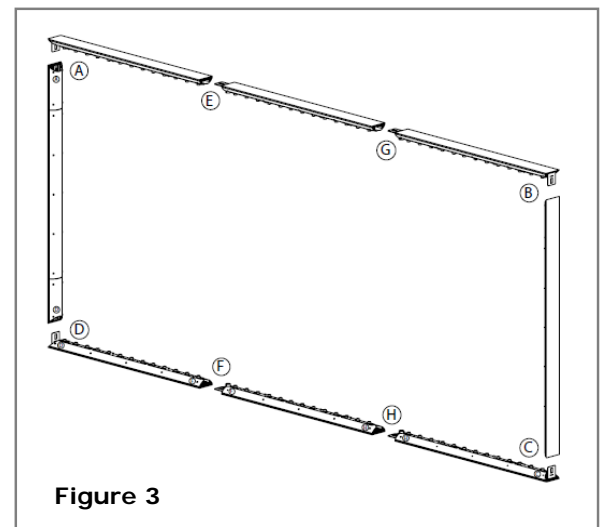
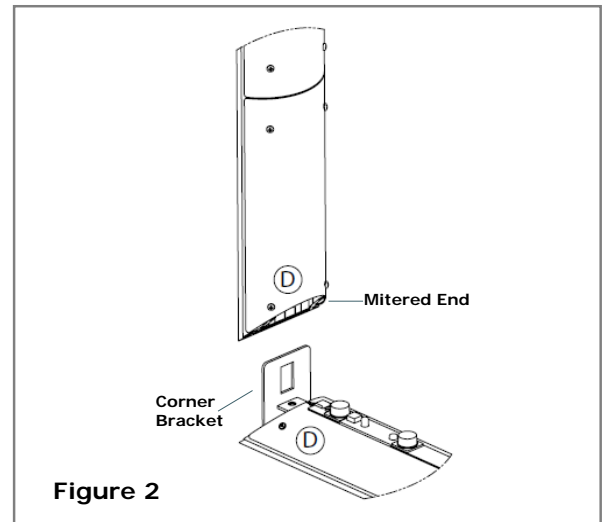
If the unit is hard-wired, a qualified electrician should perform electrical installation.

This display, or sign, is intended to be installed in dry locations only and in accordance with the requirements of Article 600 of the National Electrical Code and/or other applicable local codes. This includes proper grounding and bonding of the display.

It is recommended that the frame of this display be constructed on a horizontal surface (such as a table, or the floor) to ensure a tight fit at all corners and splices. When assembled, the frame should be lifted into a vertical position.

## Step-by-Step Instructions – Unpacking:

1. The frame of the Optima LED® 5" Double-Sided StretchLite Perimeter Lit Graphic Display is shipped in segments in multiple, labeled boxes. Ensure that all boxes are present and ready for unpacking. Boxes are labeled "Box 1 of x", etc., where x is the total number of boxes.
2. Unpack all frame segments and arrange on a clean, flat surface. Each segment has two ends: corner ends are mitered, and are labeled A through D, while intermediate ends, if present, are flat, and are labeled E through K.
3. All corners will be made up of two mitered segments that have matching labels (ie, A to A, B to B). Arrange corner pieces perpendicular to each other. **See Figure 2.**
4. If there are frame segments with intermediate ends, match the labels (ie. E to E, F to F) to align adjoining pieces. When complete, there will be a single rectangle of segments. **See Figure 3.**
5. Larger frames will have one or more support poles and corresponding splice brackets to hold them in place. If there are support poles included, set them aside until needed. **See Figure 1.**
6. Mounting hardware – if the sign was ordered with mounting hardware (pedestal, feet, etc.) set it aside until needed.



Part Number# 971830  
Rev B (05/16)

## Step-by-Step Instructions - Frame Assembly - Corners:

1. Corners are secured together with corner brackets. A corner bracket is pre-installed in one of the two corner segments of each corner. **See Figure 2.**
2. Use a Phillips head screwdriver to remove the cover piece from a corner segment without the corner bracket and retain the screws. A receiving Y bracket with a socket head cap screw and protective cap will be exposed. **See Figure 4.**
3. Remove the protective cap and socket head cap screw from the Y bracket. Discard the cap.
4. Slide the corner bracket into receiving frame segment under the Y bracket.
5. Align the hole in the Y bracket with the hole in the corner bracket. Insert the socket head cap screw through the Y bracket into the corner bracket and tighten with a 3/16" hex key wrench until the corner segments are firmly secured together. **See Figure 5.**
6. If the outside corner of the display frame is not aligned properly, more adjustments will be necessary.
  - a. Remove the cover from the adjoining segment with a Phillips head screwdriver and retain the screws. This will expose the other side of the corner bracket with a second Y bracket connected to it with a socket head cap screw.

**Caution:** There may be wiring that extends between a cover with lights and the frame segment it was attached to. Use caution when removing the cover.
  - b. Adjust the socket head cap screws on both sides of the corner bracket using a 3/16" hex key wrench, until the outside corner of the frame is aligned as desired.
  - c. Re-secure the cover section of the adjoining segment to the frame segment with the retained screws using a Phillips head screwdriver. Make sure not to crimp any wires under the edge of the cover.
7. If there are electrical connectors present, connect them now. For example, insert a male low voltage connector into a female low voltage connector. **See Figure 6.**
8. Tuck all wires and connectors under the covers and re-secure the cover piece to the corner segment with the retained screws using a Phillips head screwdriver. Make sure not to crimp any wires under the edge of the cover.
9. Repeat these steps for the 3 other corners of the frame. If there are no frame segments with intermediate (flat) ends, the frame assembly will be complete. **See Figure 7.**

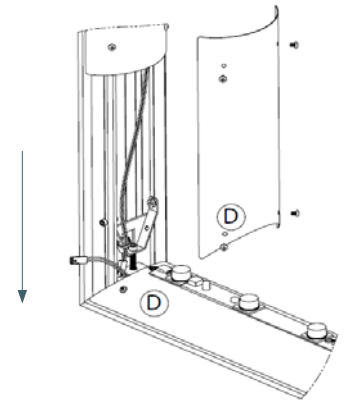
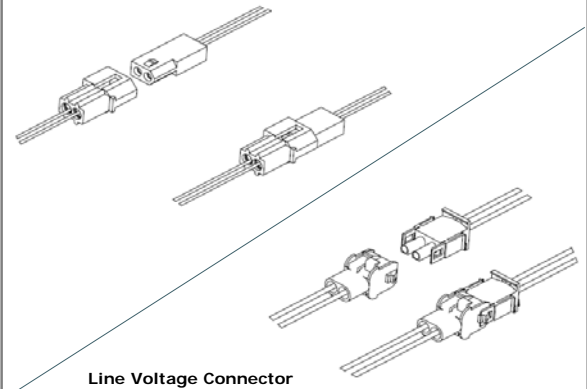


Figure 5

### Low Voltage Connector



### Line Voltage Connector

Figure 6

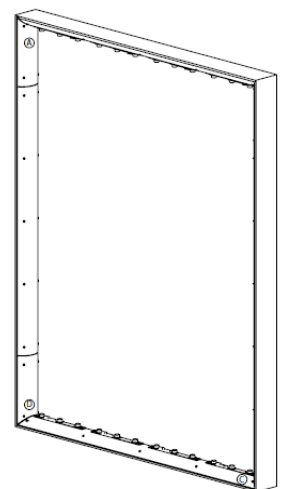


Figure 7

## Step-by-Step Instructions – Frame Assembly – Intermediate Segments:

1. Frame segments with intermediate ends are connected together with splice brackets. One end of the splice bracket is pre-installed in an intermediate segment. **See Figure 8.**
  2. Ensure that the two segments to be connected have matching labels, for example, F to F. Align the two segments end to end. **See Figure 9.**
  3. Using a Phillips head screwdriver, remove the cover on the frame segment that does not have the splice bracket. Retain the screws. A receiving Y bracket with a socket head cap screw and protective cap will be exposed. **See Figure 10.**
- Caution:** There may be wiring that extends between a cover with lights and the frame segment it was attached to. Use caution when removing the cover.
4. Remove the protective cap and the socket head cap screw from the Y bracket. Discard the cap.
  5. Slide the splice bracket into the receiving frame segment under the Y bracket.

(Continued on next page)

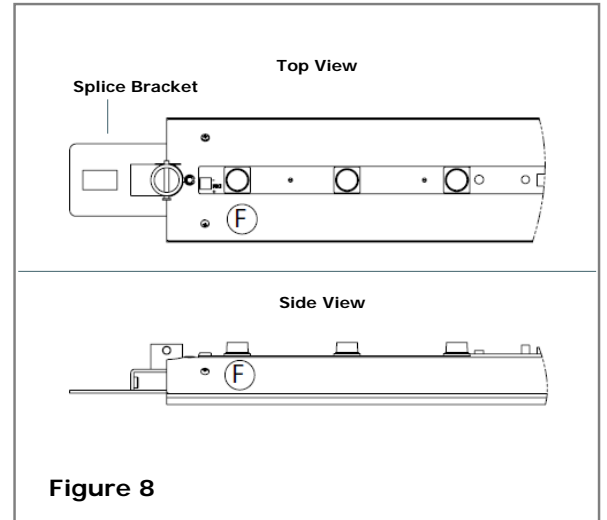


Figure 8

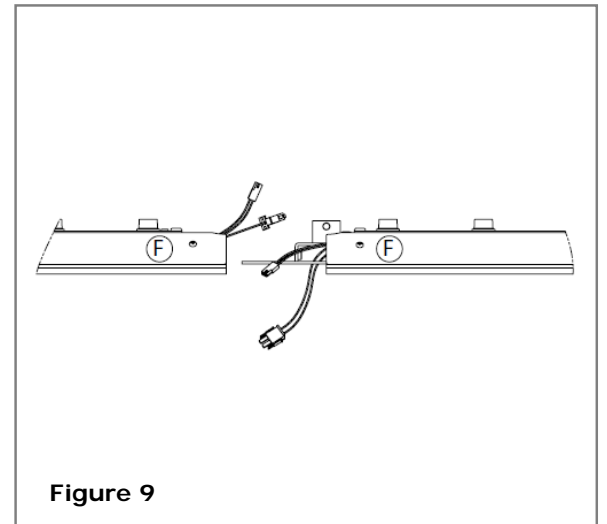


Figure 9

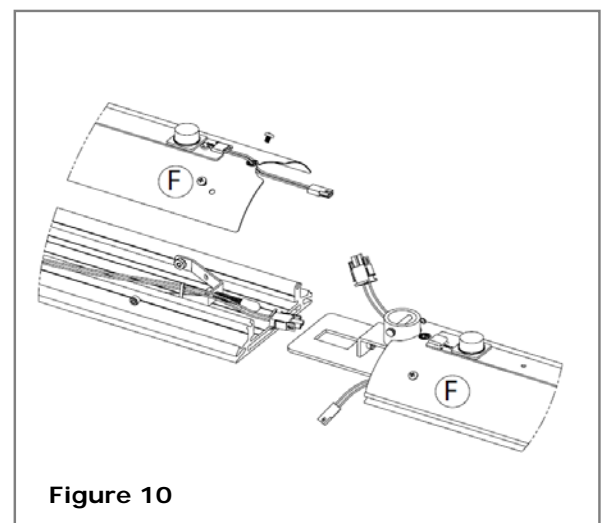
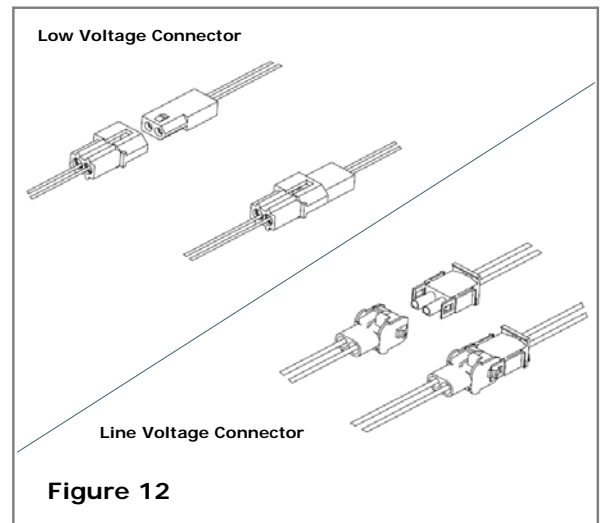
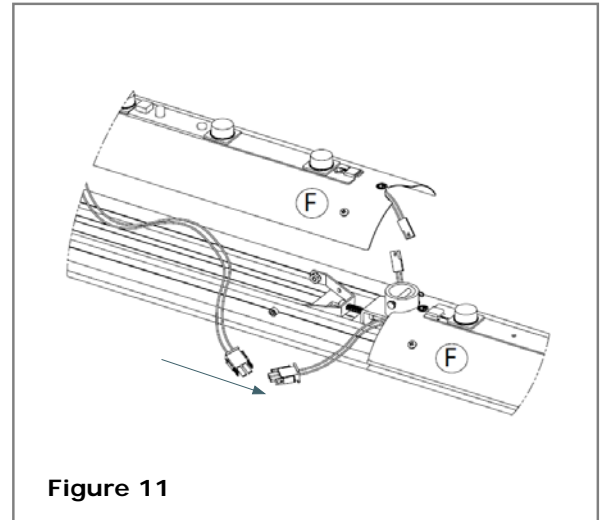


Figure 10

## Step-by-Step Instructions – Frame Assembly – Intermediate Segments (Cont.):

6. Align the hole in the Y bracket with the screw hole in the Splice Bracket. Insert the socket head cap screw and tighten with a 3/16" hex key wrench until the two intermediate segments are firmly secured together. **See Figure 11.**
7. If there are wire connectors present, connect them now. For example, insert a male line voltage connector into a female line voltage connector. **See Figure 12.**
8. Tuck all wires and connectors under the covers and re-secure the cover section to the frame segment with the retained screws using a Philips head screwdriver. Make sure not to crimp any wires under the edge of the cover.
9. Repeat these steps for all other intermediate segments of the frame.



## Step-by-Step Instructions – Display Frame Support Poles:

1. If the display came with support poles, these should be inserted now. A support pole extends between 2 opposing splice brackets.
2. Remove the pre-installed clevis and cotter pins from the collar of each splice bracket and retain.
3. Place one end of the first support pole in a collar, and then place the second end in the opposing collar.
4. Align the holes in the support poles with the holes in the collars. **See Figure 13.**
5. Place a clevis pin through the collar and support pole, and use a cotter pin to secure. Repeat this step for the other end of the support pole. **See Figure 13.**
6. Repeat this process for all support poles. Upon completion, the display frame will be fully assembled. **See Figure 14.**

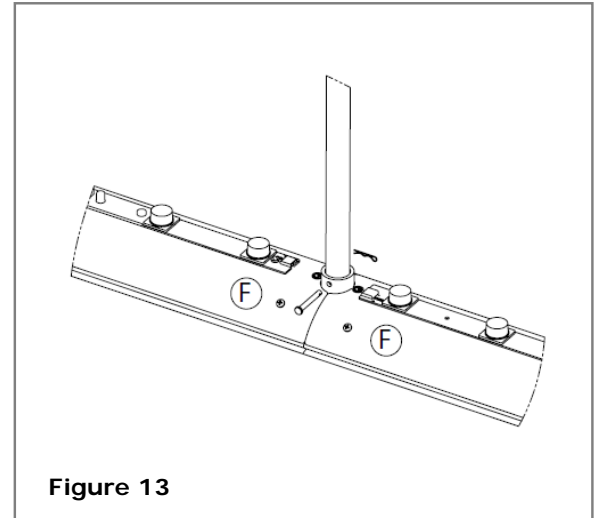


Figure 13

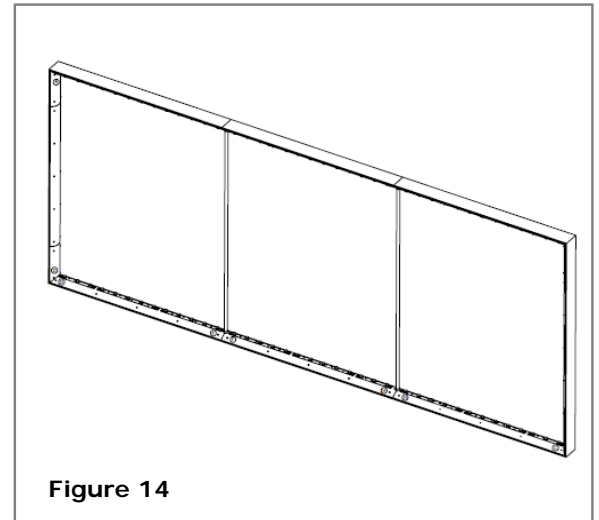


Figure 14

## Step-by-Step Instructions – Foot Mount Option:

**Note:** This option should be requested at time of order. The number and type of feet required will vary based on the size of the display frame, its orientation, and whether there are splice brackets in the frame.

1. Determine the correct orientation of the frame (top, bottom, left, right).
2. Position the feet so that they are in front of the frame, aligned with each other, and near the screw holes for each foot in the frame. A foot that goes under a Splice Bracket will look different from a foot that attaches near the corner of the frame. **See Figure 15.**
3. Remove the socket head cap screws that are pre-installed in the feet and retain. Stand the display frame up vertically and onto the mounting feet. **See Figure 15.**
4. With a Phillips head screwdriver, remove the cover(s) in the bottom of the frame to expose mounting holes for feet. Retain the screws.

**Caution:** There may be wiring that extends between cover(s) with lights and the frame it was attached to. Remove cover(s) carefully.

(Continued on next page)

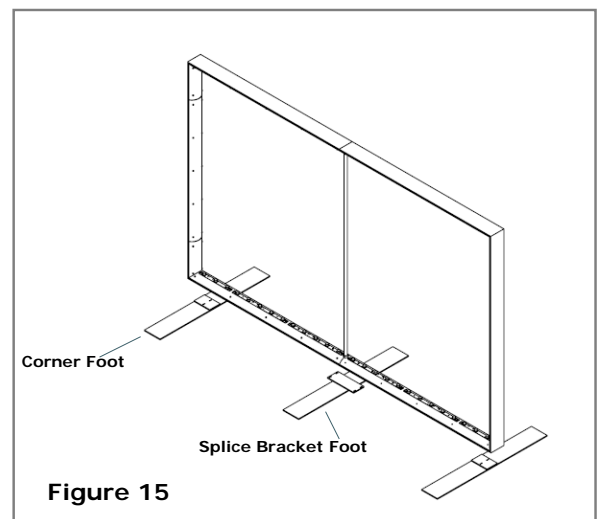


Figure 15

# Stylmark Installation Instructions: Optima LED® DS5 Perimeter Lit

## Step-by-Step Instructions – Foot Mount Option (Cont.):

5. Align the mounting holes in the frame with the screw holes in the feet. Using the provided socket head cap screws, secure feet to the bottom of the frame with a 3/16" hex key wrench. **See Figure 16.**
6. Re-secure the cover(s) to the frame with the retained screws using a Phillips head screwdriver. Make sure not to crimp any electrical wires under the edge of the cover. **See Figure 17.**
7. Plug the display frame's power cord directly into a standard, 3-prong, grounded wall outlet.

**Caution:** Local building codes may require additional means to prevent the display frame from tipping. For example, the feet of a large frame could be required to be bolted to the floor. Verify if these, or other means, are necessary, and install as required.

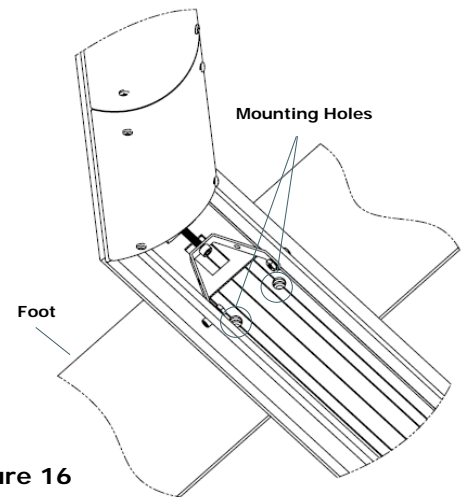


Figure 16

## Step-by-Step Instructions – Ceiling Suspended Option:

**Note:** This option should be requested at time of order.

**Caution:** Large display frames can be unwieldy to handle and may require multiple people and/or equipment to lift into a vertical position.

1. Locate the hanging Eyelets which will be pre-installed into the top of the display frame. **See Figure 18.**
2. In accordance with local codes, mount all necessary hardware to hang the display frame from the ceiling using the position of the eyelets as reference.
3. Lift the display frame into the vertical position. Multiple cables may be required to support each section of a large frame. **See Figure 19.**
4. Plug the display frame's power cord directly into a standard, 3-prong, grounded wall or ceiling outlet.

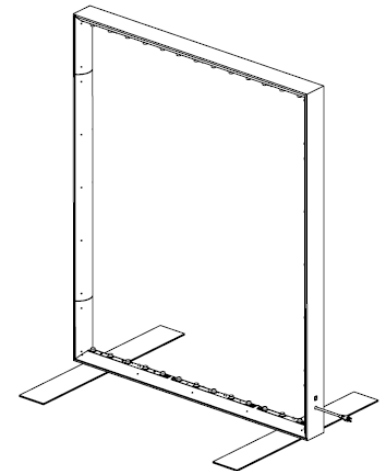


Figure 17

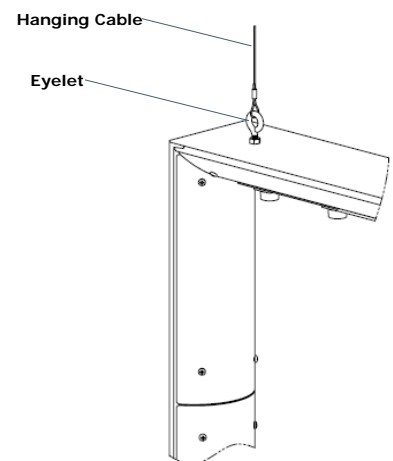


Figure 18

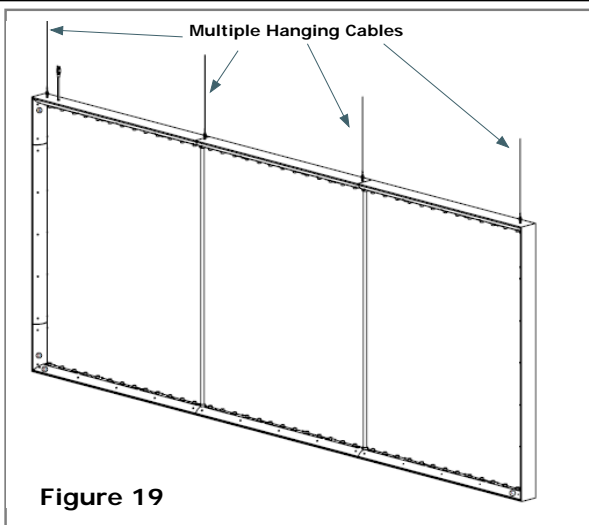


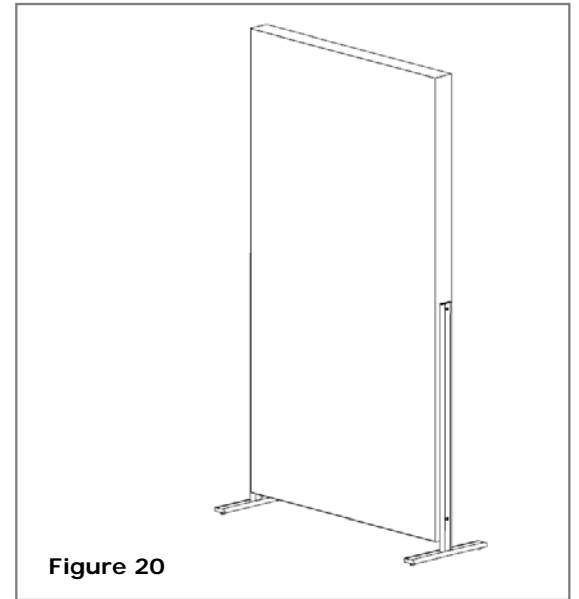
Figure 19

Part Number# 971830  
Rev B (05/16)

## Step-by-Step Instructions – Pedestal Mount Option:

**Note:** This option should be requested at time of order. The size and style of the pedestal will vary based on the size of the display frame and its orientation.

1. Build the mounting pedestal following the instructions enclosed with the unit.
2. Determine the correct orientation of the display frame (top, bottom, left, right).
3. Attach the sides of the pedestal to the frame using a socket wrench. The frame has pre-drilled bolt holes that match the bolts provided with the pedestal.
4. Lift the display frame and pedestal into a vertical position. Larger assemblies may require more than one person to perform this task. **See Figure 20.**
5. Plug the display frame's power cord into a standard, 3-prong, grounded wall outlet



## Step-by-Step Instructions – Graphic Installation:

A channel for the display graphic goes around the perimeter of the display frame on both sides.

1. Insert the top corner of the silicone gasket of the first graphic into the top corner of the channel, and then do the same in the opposite bottom corner. Repeat with the other two corners.
2. Insert the midpoint of the gasket into the channel on each side (top, bottom, left, right).
3. Continue tucking the gasket into the channel, working around the perimeter of the frame. Smooth out any bunching or wrinkles.
4. Repeat on the other side of the display frame with the second graphic.
5. To remove the graphic, pull on the tag. **See Figure 21.**

