



Optima 450 LED[®] Edge-Lit Single-Sided Light Box

Installation Instructions

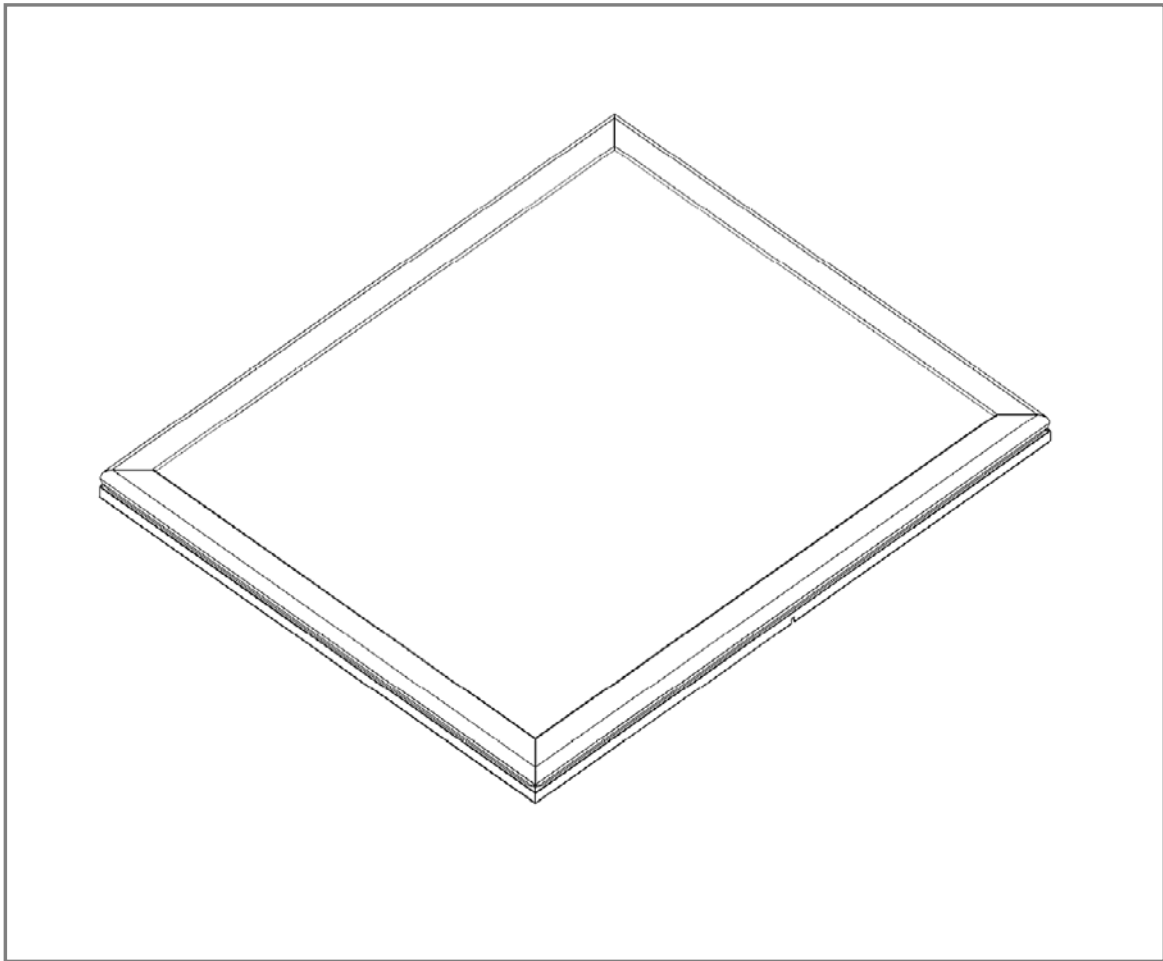


Figure 1

INSTALLATION INSTRUCTIONS

Before you begin

These instructions illustrate the Stylmark Optima 450 LED[®] Edge-Lit Single-Sided Light Box. If you have questions during assembly, call 800-328-2495 to request technical assistance.

Tools you'll need

- Screwdriver
- Pencil
- 1/4" or 3/16" Drill (varies by application)

Please read these instructions carefully before beginning installation.

Part Number# 971688
Rev F (5/16)

Getting Started:

These instructions are for Optima 450 LED Edge-Lit Single-Sided Light Box. Follow the instructions for the assembly ordered. Standard mounting kit is included with assembly.

Please review all electrical requirements on the label before connecting. **Do not use improper current.**

This sign is intended to be installed in dry locations only and in accordance with the requirements of Article 600 of the National Electrical Code and/or other applicable local codes. This includes proper grounding and bonding of the sign.

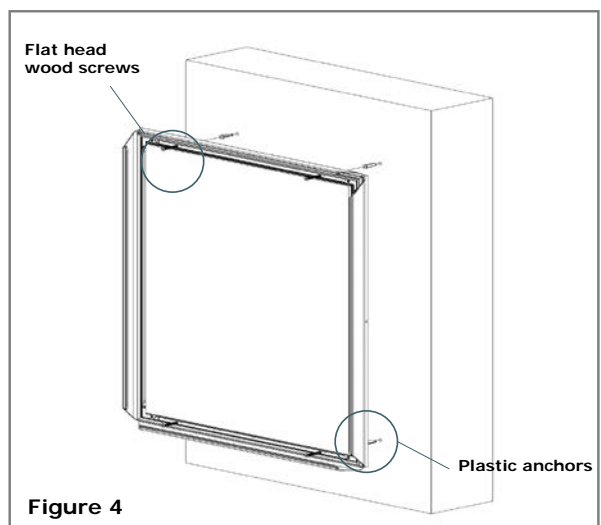
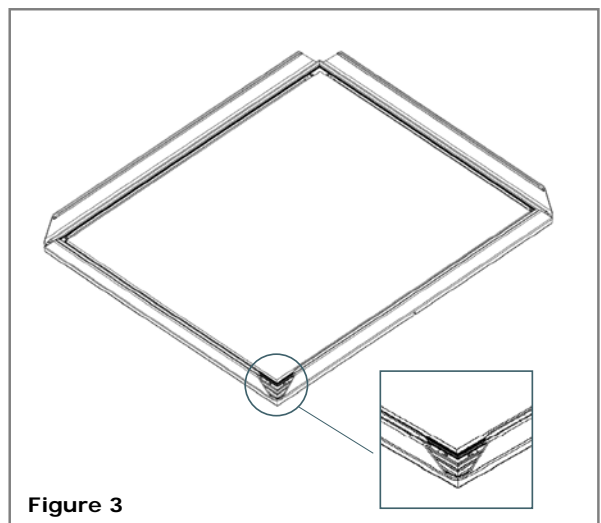
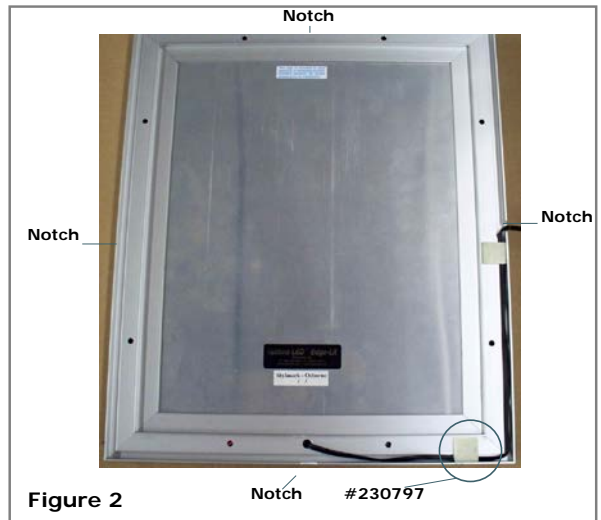
Step-by-Step Instructions – Routing of cord instructions:

The unit may be hung either portrait or landscape orientation.

1. The back side of the sign is notched on all four sides for the cord to exit. Determine which side you want your cord to exit and run the cord along the inside of the frame holding it in place with the cable tie mounts included (part #230797). **See Figure 2.**

Step-by-Step Instructions – Wall mounting external power supply instructions:

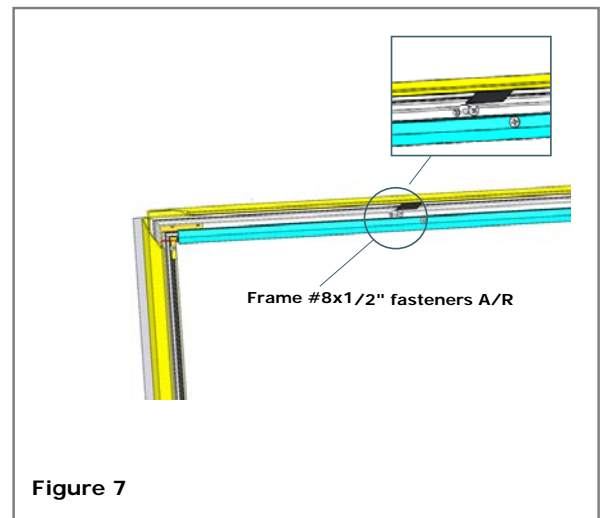
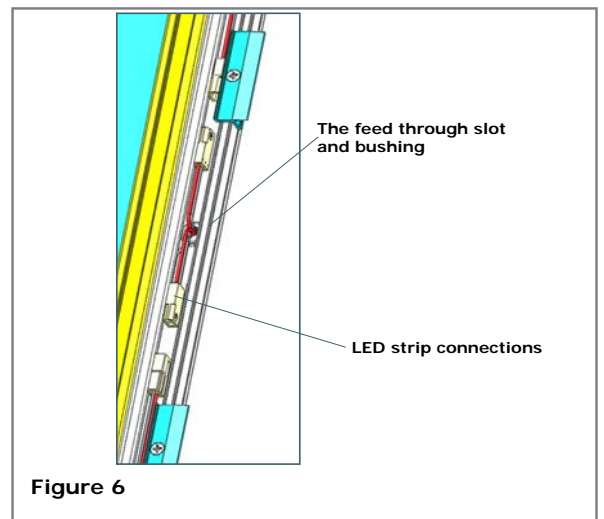
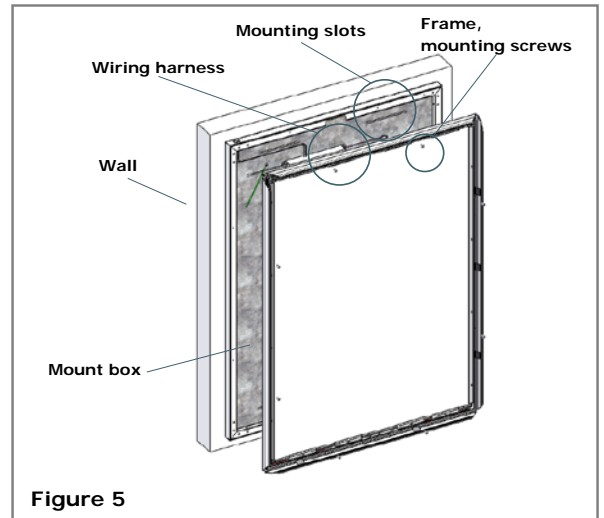
1. Open the frame by flipping back all four sides of the frame. **See Figure 3.**
2. Hold the unit on the wall in the desired location.
3. Mark the wall through the holes pre-drilled in the body.
4. Using a 1/4" or 3/16" drill bit, drill the holes and install plastic anchors (included in part #590869). **See Figure 4.**
5. Using flat head wood screws (included in part #590869); attach the unit to the anchors.



Part Number# 971688
Rev F (5/16)

Step-by-Step Instructions – Wall mounting internal power supply instructions:

1. The back panel of the mount box is slotted for mounting to a wall. Disassemble the light box and mount.
2. Remove LED sign assembly attachment screws (do not remove the screws in the LED strip) and disconnect the wiring harness connections to gain access to the slot in the mount box. **See Figure 5**
3. For hardwired installations, position the mounting box to align the hard wire location with the conduit knockout in the back panel.
4. Attach the mounting frame to the wall with the appropriate size and number of fasteners for the weight of the complete assembly. **See Figure 5**. Attach the hardwire electrical connections following all national, state and local electrical codes.
5. Reassemble by holding the LED sign assembly close enough to the mount box to allow the low voltage wiring connector to be feed through the slots in the LED sign assembly. **See Figure 6**. (make sure the rubber brushing is in position before attaching the LED sign assembly to the mount box)
6. Place the LED sign assembly in position and fastening the LED sign assembly to the mount box using the #8-1/2" self threading fasteners. **See Figure 7**. (number of fasteners is dependent on the size of the sign)
7. Make the LED strip connectors. **See Figure 6**.

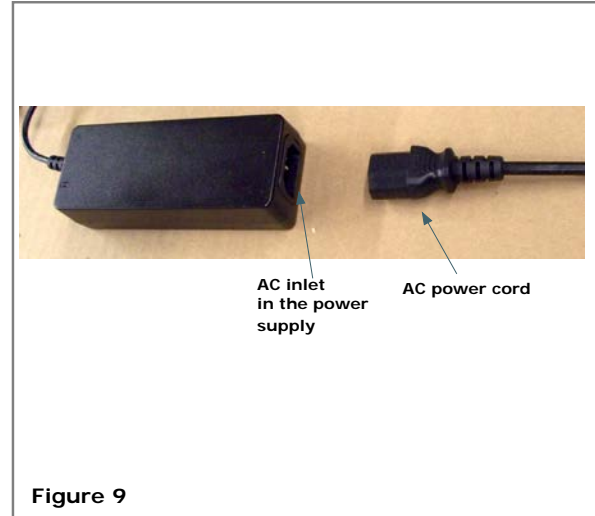
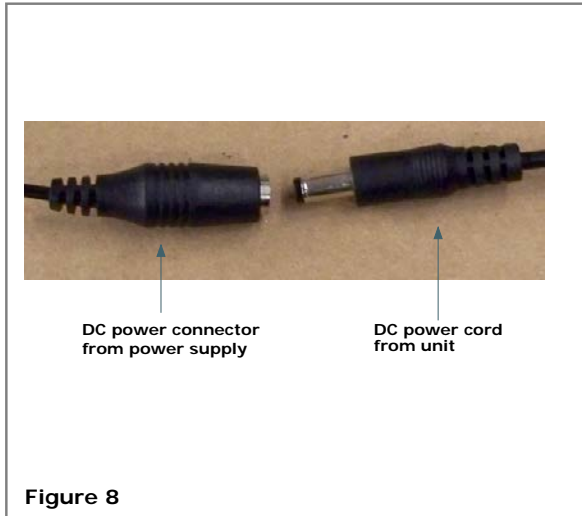


Part Number# 971688
Rev F (5/16)

Stylmark Installation Instructions: Optima 450 LED Edge-Lit Single-Sided Light Box

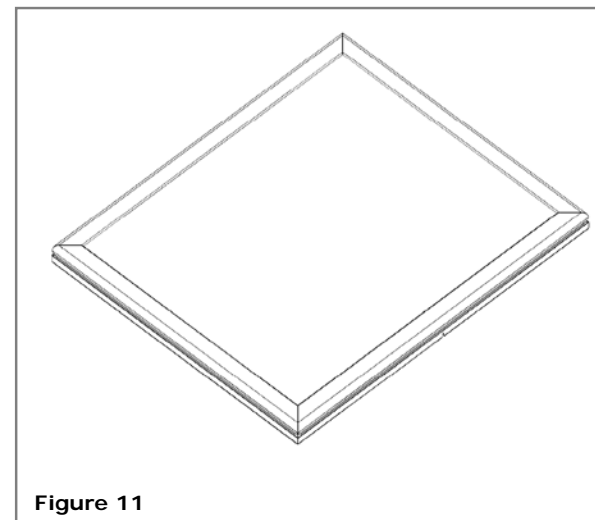
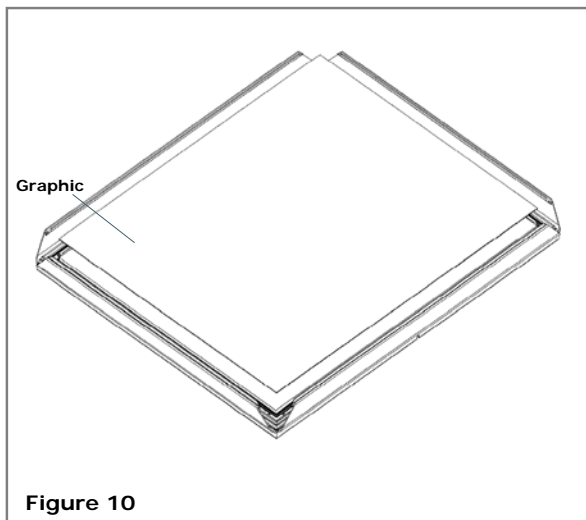
Step-by-Step Instructions – Connect Power Supply:

1. Connect the DC power cord from the unit to the DC power connector from the power supply. **See Figure 8.**
2. Connect the AC power cord to the AC inlet in the power supply. **See Figure 9.**
3. Connect the AC power cord to the wall outlet.



Step-by-Step Instructions – Graphic Installation:

1. Open the frame by flipping back on all four sides the frame. **See Figure 2.**
2. Place the graphic in the frame. **See Figure 10.**
3. Holding the graphic in place, close frame sections one at a time on all four sides. **See Figure 11.**



Part Number# 971688
Rev F (5/16)

Stylmark Installation Instructions: Optima 450 LED Edge-Lit Single-Sided Light Box

Acrylic Care and Maintenance

Storage

The Optima 450 LED Edge-Lit Light Box should not be stored near heat sources, as heat tends to soften and deform acrylic sheets. Do not store sheets near spray painting booths or expose them to other solvent vapors.

Caring for Acrylic Panel

Washing

Wash the acrylic panel with a solution of mild soap or detergent and lukewarm water. Use a clean soft cloth, applying only light pressure. Rinse with clean water and dry by blotting with a damp cloth or chamois. Grease, oil, or tar may be removed with a good grade of hexane, aliphatic naphtha, or kerosene.

DO NOT USE: Window cleaning sprays, kitchen scouring compounds or solvents such as acetone, gasoline, benzene, alcohol, carbon tetrachloride, or lacquer thinner. These can scratch the sheet's surface and/or weaken the sheet causing small surface cracks called, "crazing."

Dusting

Dust with a soft, damp cloth or chamois. Dry or gritty cloths may cause surface scratches and create a static electric charge on the surface

Polishing

Protect the acrylic panel and maintain its surface gloss by occasional polishing with a good plastic cleaner and polish. Apply a thin, even coat with a soft clean cloth and polish lightly with cotton flannel. Wipe with a damp cloth to help eliminate electrostatic charges that can attract dust particles.

Neutralizing Static Electricity

Static electrical charge can develop on the acrylic panel during handling and installation. Static electricity attracts dust, chips, etc. floating in the air or on nearby work surfaces and holds these contaminants tightly to the surface. Compressed air will remove much of this surface dirt. Several anti-static cleaners for plastics are also available which will reduce static electricity and dust attraction. Wiping with a soft damp cloth or chamois is all that is necessary to keep acrylic sheet dust-free between applications of these cleaners.

Removing Scratches

Fine scratches can be removed by hand polishing. Apply a plastic scratch remover to a soft flannel pad and rub. When the scratches have disappeared, remove all residue and polish. For deeper scratches, first sand lightly with a 400-grit "wet or dry" sandpaper, using plenty of water and rinsing the sandpaper frequently. Follow by buffing with a clean muslin wheel and a good polishing compound. For the highest gloss, use a clean-up wheel made of soft cotton or flannel sections and on which no compound is used. An electric drill with a buffing wheel is ideal.

ADDITIONAL TECHNICAL INFORMATION

Fire Precautions

Acrylic sheet is a combustible thermoplastic. Precautions should be taken to protect this material from flames and high heat sources. Acrylic sheet usually burns rapidly to completion if not extinguished. The products of combustion, if sufficient air is present, are carbon dioxide and water. However, in many fires, sufficient air will not be available and toxic carbon monoxide will be formed, as it will when other common combustible materials are burned. We urge good judgment in the use of this versatile material and recommend that building codes be followed carefully to assure it is used properly.

Compatibility

Like other plastic materials, acrylic sheet is subject to crazing, cracking, or discoloration if brought into contact with incompatible materials. These materials may include cleaners, polishes, adhesives, sealants, gasketing or packaging materials, cutting emulsions, etc.

Part Number# 971688
Rev F (5/16)