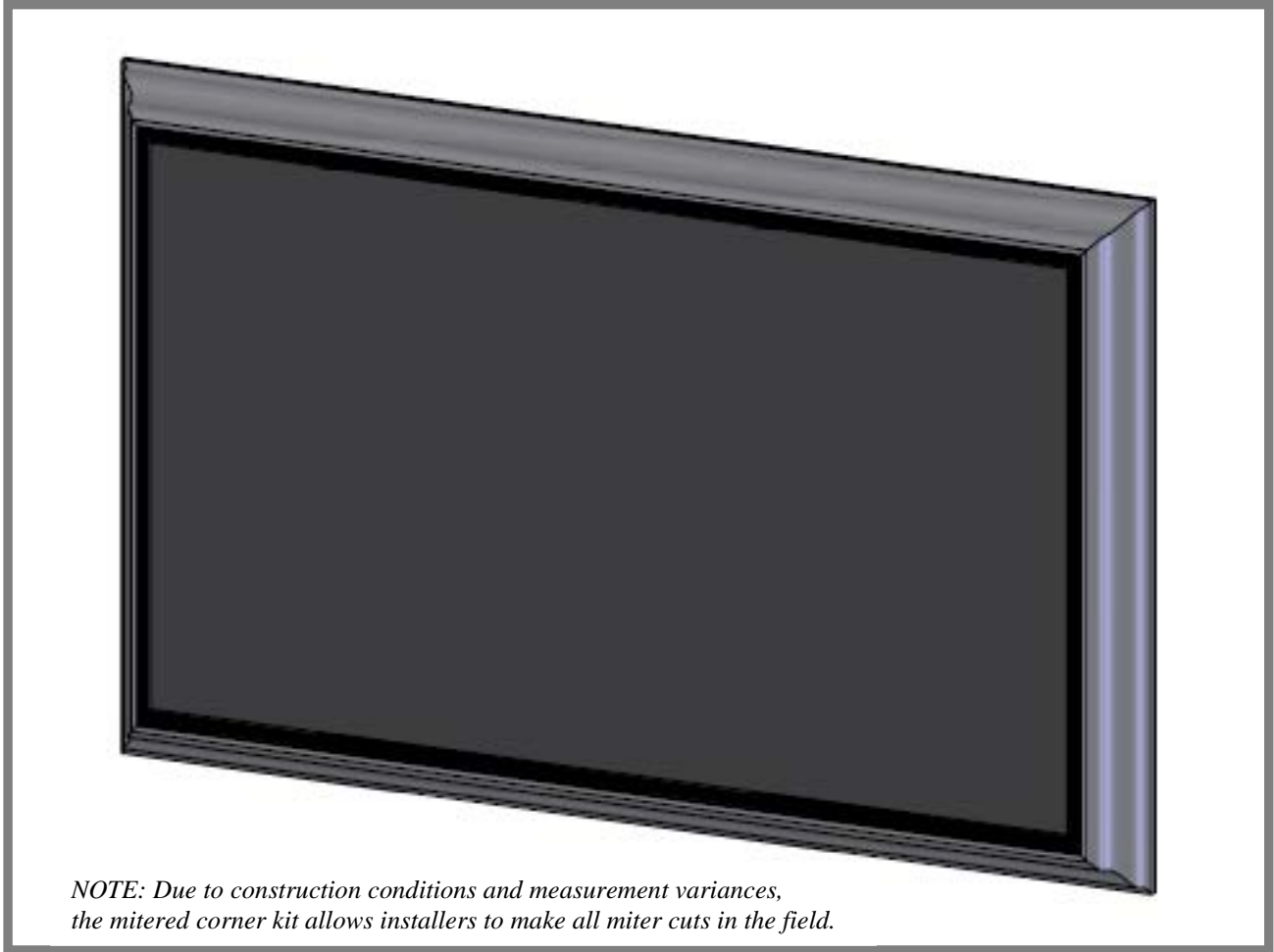




## Installation Instructions

# MonitorMaker® Mitered Corner Kit



*NOTE: Due to construction conditions and measurement variances,  
the mitered corner kit allows installers to make all miter cuts in the field.*

Figure 1

## INSTALLATION INSTRUCTIONS

### ***Before you begin***

These instructions illustrate the installation of the Stylmark's MonitorMaker for mitered corner kits. If you have questions during assembly, call 800-328-2495 to request technical assistance.

### ***Tools you'll need***

- Tape measure
- Miter saw
- Blade for cutting aluminum
- #8 Fasteners
- Drill and bits
- Slotted Screwdriver

**Please read these instructions carefully before beginning installation.**

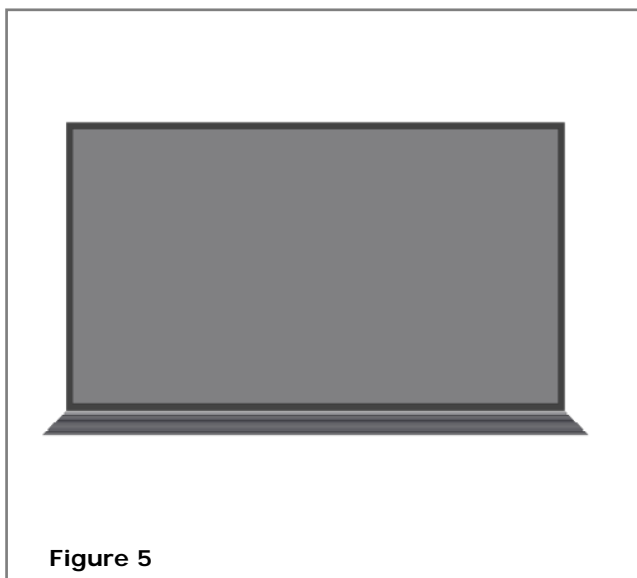
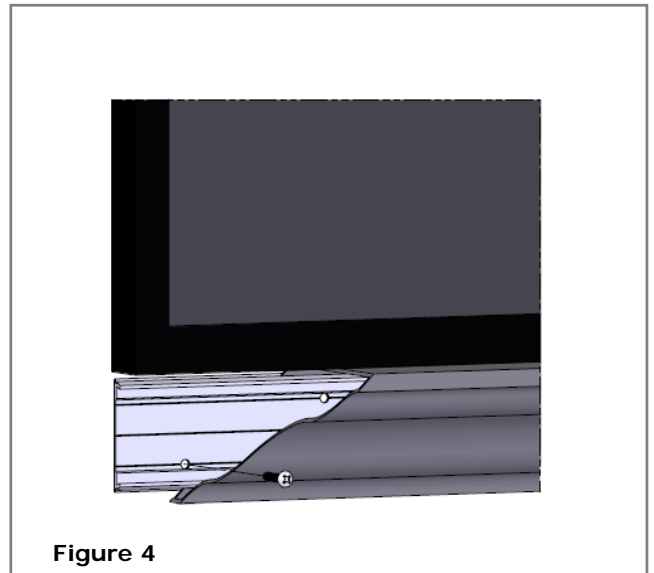
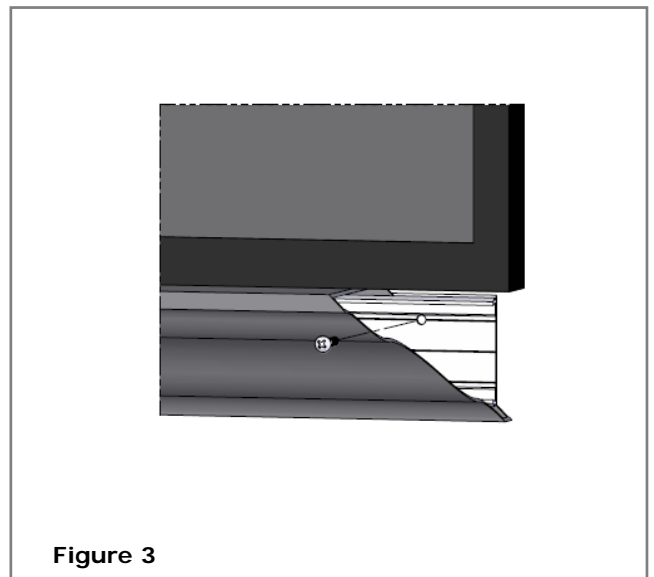
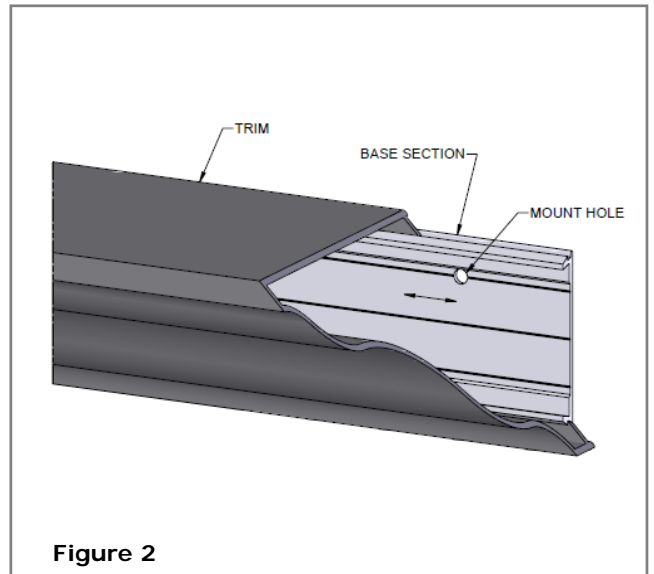
# Stylmark Installation Instructions: MonitorMaker- Mitered Corner Kit

## Getting Started:

It is assumed that the installer has experience in general fabricating and has the skills and knowledge to select the appropriate type of fasteners appropriate for the mounting surface. In addition, the surface to which this mounts is to be flat and the monitor installed. Notching may be required for unique installations to provide clearance for cables and is not included in this installation instruction guide.

## Step-by-Step Instructions:

1. Measure the width of the monitor and miter cut a piece of trim to the appropriate length.  
**Note:** It is recommended that 1/8" is added to this length to ensure fit and allow for minor trimming.
2. Snap a base section into each end of the trim and slide them out towards the ends so you can access the mount hole.  
**See Figure 2.**
3. Position the trim against the wall and lower surface of the monitor and attach the base to the wall. **See Figure 3.**
4. Slide trim over and attach the other base in the same manner  
**See Figure 4.**
5. Slide the trim so that it is centered on the monitor. **Note:** The base should be hidden within the lower piece of trim. **See Figure 5.**



Sheet# 971831  
Rev C (8/17)

## Stylmark Installation Instructions: MonitorMaker- Mitered Corner Kit

6. Measure the height of the monitor and miter cut a piece of trim to the appropriate length.  
**Note:** It is recommended that 1/8" is added to this length to ensure fit and allow for minor trimming.

7. Snap a base section into each end of the trim and slide them out towards the end so you can access the mount hole. The base pieces at the lower corners are positioned and mounted in the same manner as the bottom pieces.

8. The base pieces at the upper corners are located as follows:

- Hold a piece of trim with base against the wall and on the top edge of the monitor and mark a line on the wall along the lower edge of the base. **See Figure 6.**
- Slide the lower trim over so the side trim can be slid down to allow the fastening the base to the wall. **See Figure 7.**
- Hold the trim against the wall and the side of the monitor, position the upper base so that it aligns with the line from step 8a, and fasten to wall. **See Figure 8.**
- Insert a corner bracket into the base, lock it in place by twisting a straight-blade screwdriver in the slot, and bend the end of the bracket forward about 1/4". **See Figure 9.**

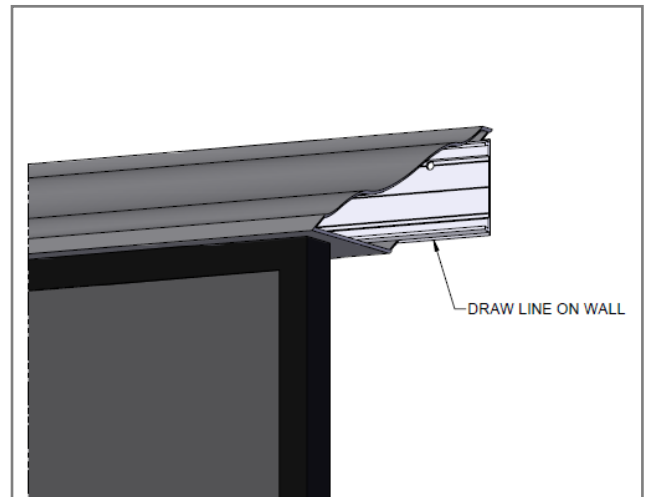


Figure 6



Figure 7

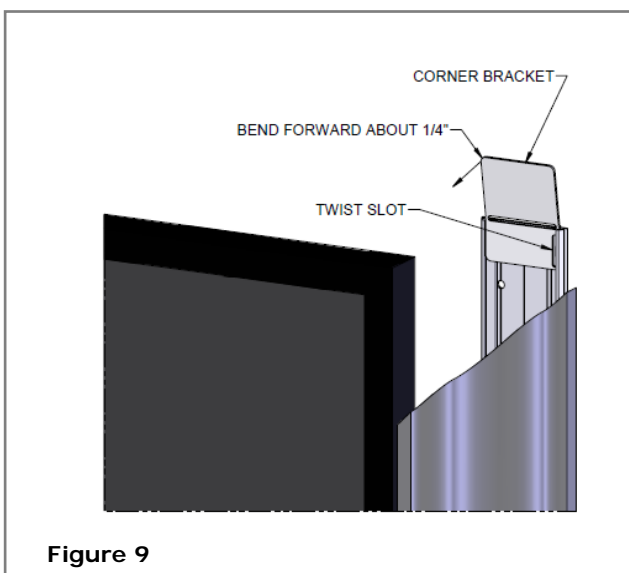


Figure 9

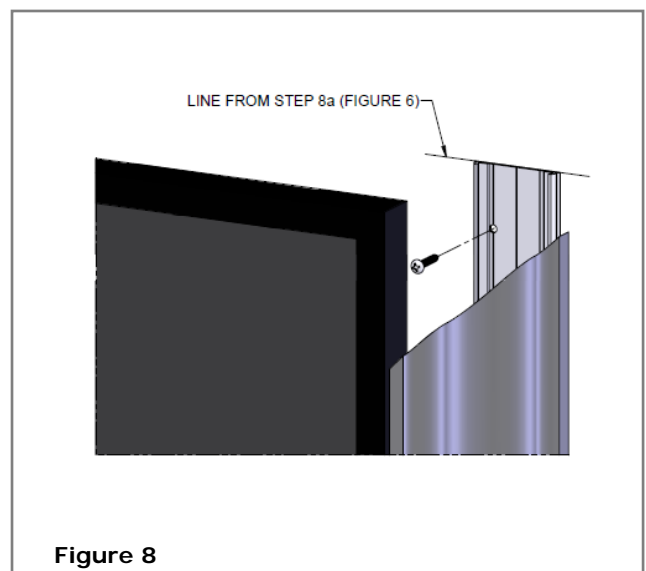


Figure 8

# Stylmark Installation Instructions: MonitorMaker- Mitered Corner Kit

- e. Slide the piece of trim up, the bottom piece over, and repeat to secure the other side. **See Figure 10.**
  - f. Center the lower trim and slide the side pieces to complete the lower mitered corners. **See Figure 11.**
  - g. Measure and miter cut the top piece of trim.
9. Insert a corner bracket into a piece of base, lock it in place by twisting a screwdriver in the slot, and bend the end of the bracket forward about 1/8". **See Figure 12.**
  10. Snap the base with bracket into the trim and position it so that it is near the miter. Repeat for the other end of the trim. **See Figure 12.**
  11. Place the upper trim with base and brackets on the top of the monitor so that the brackets slide behind the brackets which are mounted in the vertical pieces. **See Figure 13.**

