

Figure 1

INSTALLATION INSTRUCTIONS

Before you begin

These instructions illustrate the Stylmark® Rolling Door Assembly for Wood End Application (Models 610183, 610184 & 610185). If you have questions during assembly, call 800-328-2495 to reach technical assistance. This package does not include glass, wood screws or other door panels, which are necessary for complete assembly.

Tools you'll need

- #2 Phillips screwdriver
- #6 and #8 Wood screws
- (2) Regular screwdrivers
- Scissors
- Rubber mallet
- Drill & bits
- #8 Wood screws (obtain locally)
- RTV Silicone (obtain locally)

Please read these instructions carefully before beginning installation.

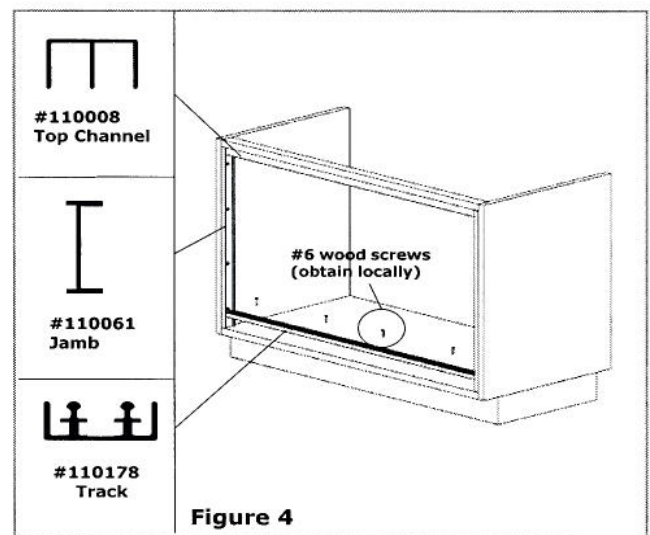
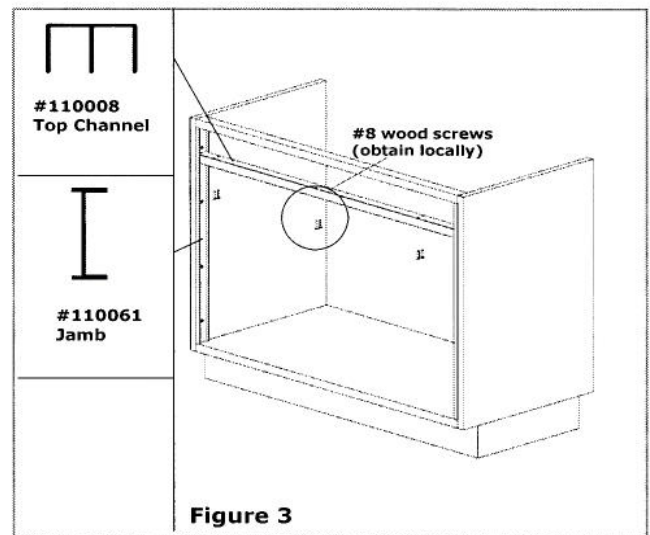
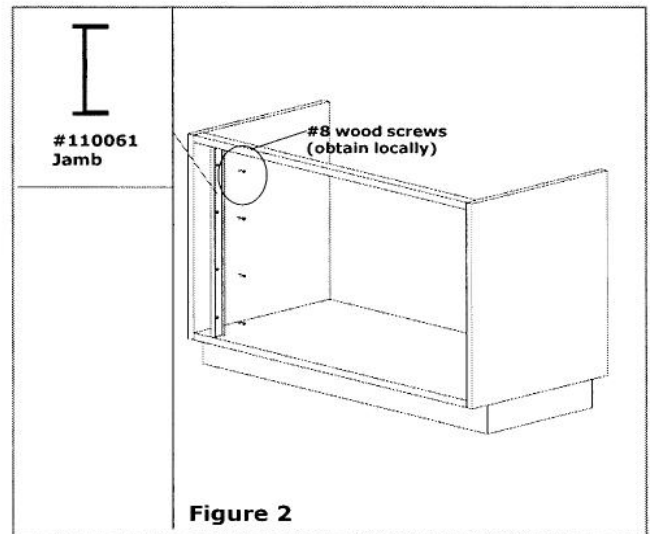
Stylmark Installation Instructions: Models 610183, 610184 & 610185 Rolling Door Assembly – Wood End

Getting Started:

These instructions are for pre-fabricated rolling door assemblies. If assembly was not ordered pre-fabricated, the stock length extrusions will need to be fabricated by the installer to meet the required dimensions of the project.

Step-by-Step Instructions – Jamb Option:

1. Attach jamb to side of case with #8 wood screws (obtain locally). **See Figure 2.** For models #610188 or 610189, attach jamb to header then attach jamb to side of case with #8 wood screws (obtain locally).
2. Attach rolling door top channel to the underside of the wood case with #8 wood screws (obtain locally). **See Figure 3.**
3. Attach track to the bottom of the wood case with #6 wood screws (obtain locally). **See Figure 4.**
4. Remove the adhesive backing from the rubber bumpers (part #221015) and attach them to side jamb uprights and / or onto the center mullion (#110106 installed if over 62"). **See Figure 5.**
5. Assemble the doorframe pieces. **See Figure 6.** Mark each piece for left or right door panel.
6. Cut lengths of black vinyl glazing tape to fit along all four edges of the door panel. **See Figure 6.**
7. Apply RTV Silicone to the glass pocket of the shoe and fit the shoe onto the door panel and tap into place with a rubber mallet. **See Figure 7.**
8. Make sure the glazing materials fit evenly. Trim if necessary.
9. Repeat steps 5 through 8 for the other door panel.



Stylmark Installation Instructions: Models 610183, 610184 & 610185 Rolling Door Assembly – Wood End

Step-by-Step Instructions – No Jamb Option:

1. If no jambs were ordered, attach rolling door top channel to the underside of the wood case with #8 wood screws (obtain locally). **See Figure 3.**
2. Attach channel to bottom of wood case with #6 wood screws (obtain locally). **See Figure 4.**
3. Assemble the doorframe pieces. **See Figure 6.** Mark each piece for left or right door panel.
4. Cut lengths of black vinyl glazing tape to fit along the top and sides of the door panel. **See Figure 6.**
5. Apply RTV Silicone to the glass pocket of the shoe and fit the shoe onto the door panel and tap into place with a rubber mallet. **See Figure 7.**
6. Make sure the glazing materials fit evenly. Trim if necessary and clean up any RTV Silicone.
7. Repeat steps 3 through 6 for the other door panel.

