



Installation Instructions

Models 610060 and 610146 Rolling Door Assembly

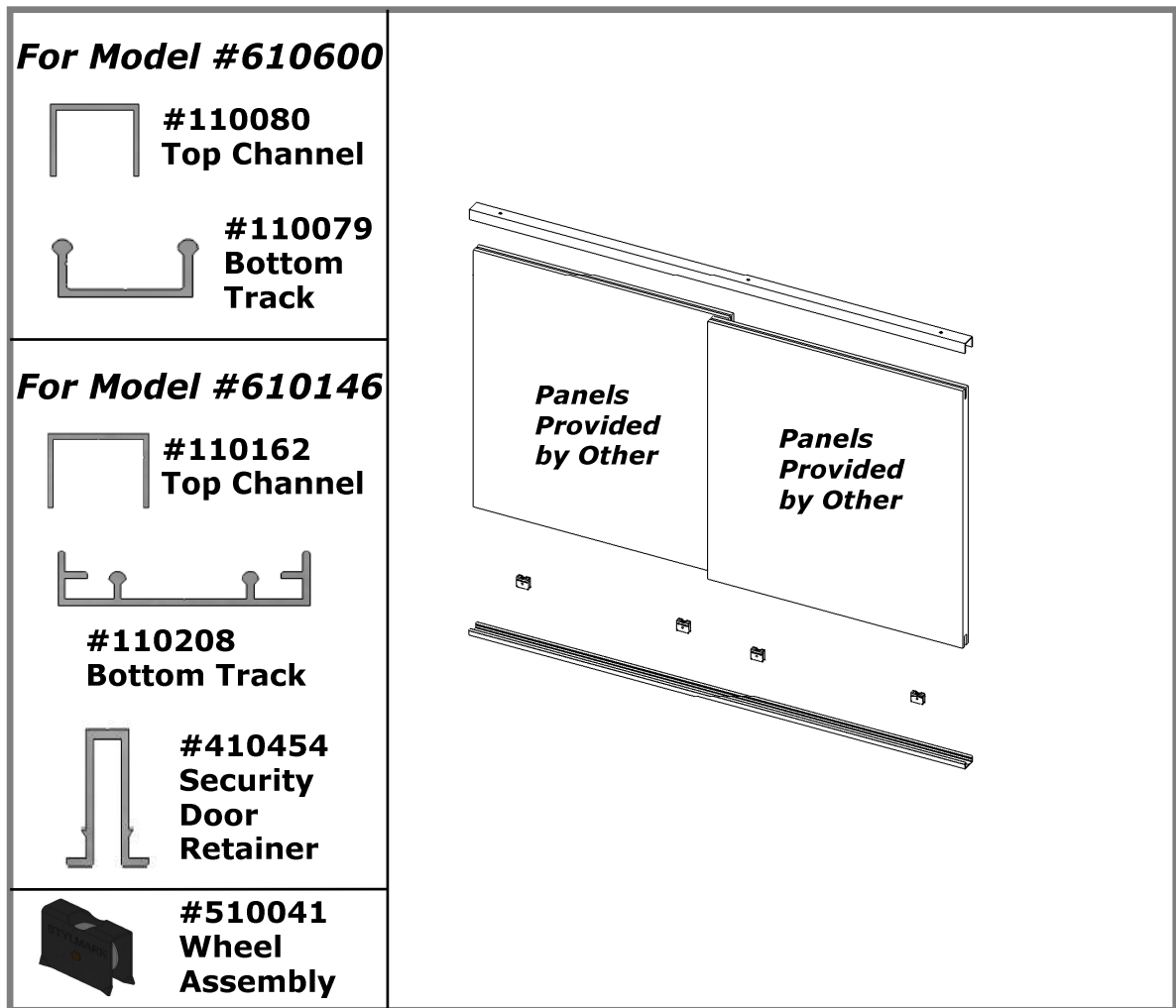


Figure 1

INSTALLATION INSTRUCTIONS

Before you begin

These instructions illustrate the Stylmark® Rolling Door Assembly for Wood End Application (Models 610060 and 610146). If you have questions during assembly, call 800-328-2495 to reach technical assistance. This package does not include glass, wood screws or other door panels, which are necessary for complete assembly.

Tools you'll need

- #2 Phillips screwdriver
- Regular screwdriver
- Drill & bits
- Routing bits
- #8 Wood screws (obtain locally)

Please read these instructions carefully before beginning installation.

Stylmark Installation Instructions: Models 610060 and 610146

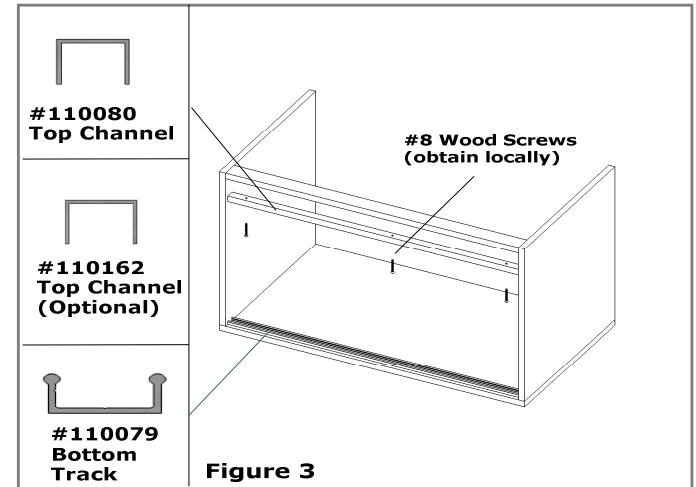
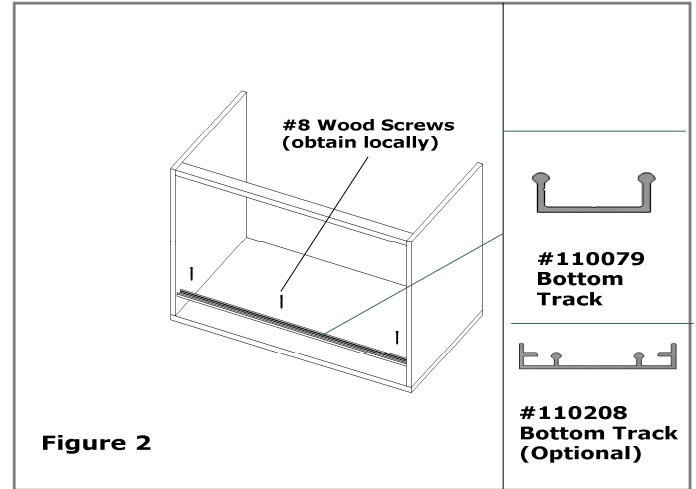
Rolling Door Assembly

Getting Started:

These instructions are for pre-fabricated rolling door assemblies. If assembly was not ordered as pre-fabricated, the stock length extrusions will need to be fabricated by the installer to meet the required dimensions of the project.

Step-by-Step Instructions

1. Set bottom track into place and secure it using #8 wood screws (obtain locally). **See Figure 2.**
2. Install top channel using #8 wood screws (obtain locally). **See Figure 3.**
3. Route door panels using a routing bit. **See Figure 4A.** Note: Model #610146 routing is different to accommodate the security door retainer.
4. For Model # 610060, insert wheel assembly (part #510041). **See Figure 4B.** Place wheel assembly approximately two inches away from each side of the panel.
5. For Model #610146, insert security door retainer (part #410454) then insert the wheel assembly (part #510041) into the security door retainer. **See Figure 4B.** Place wheel assembly approximately two inches away from each side of the panel.
6. Place panel assembly into showcase. First, tip top of the panel in, then drop the panel in to the bottom track.



Stylmark Installation Instructions: Models 610060 and 610146 Rolling Door Assembly

