



Installation Instructions

Models 610005, 610007
& 610099 Rolling Door
Assembly – Wood End

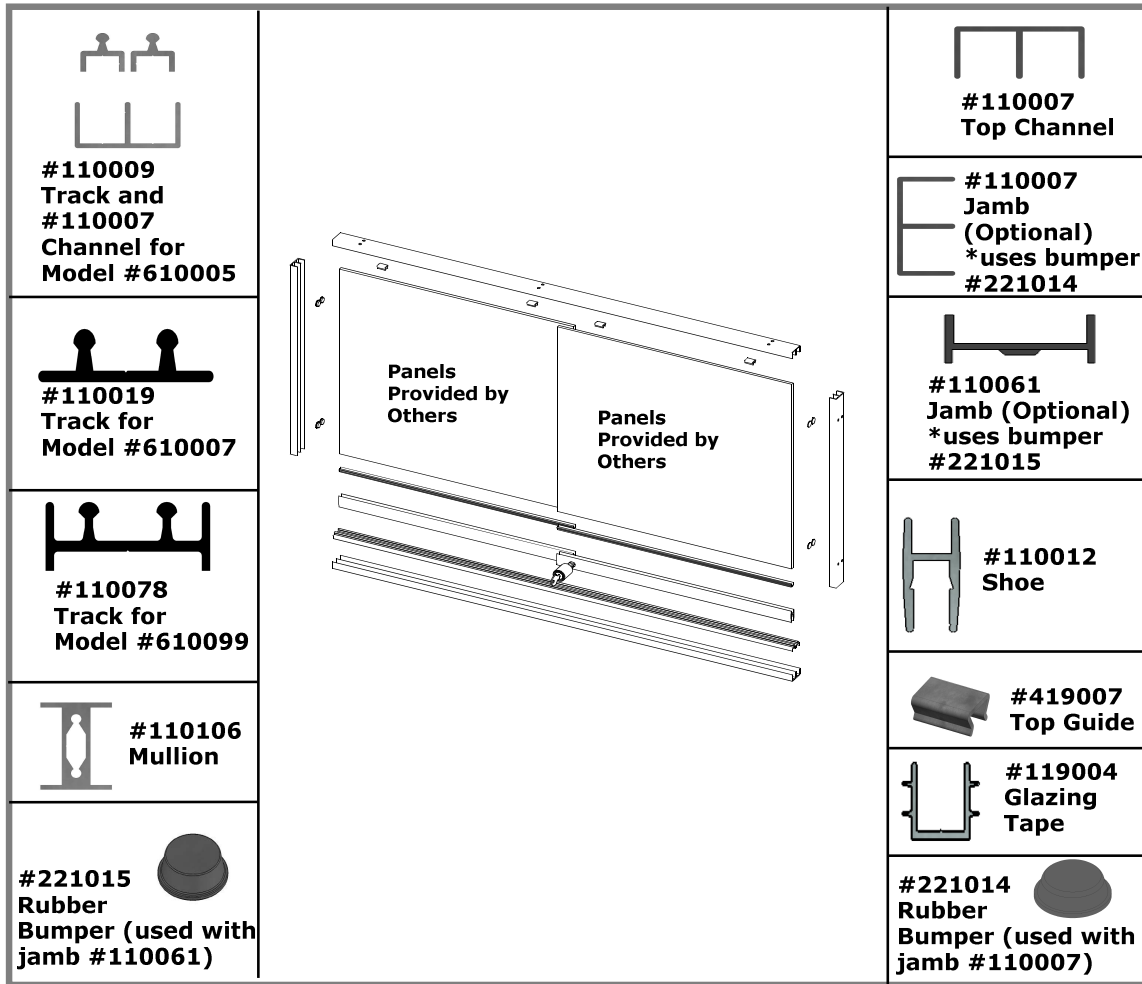


Figure 1

Tools you'll need

- #2 Phillips screwdriver
- (2) Regular screwdrivers
- Scissors
- Rubber mallet
- Drill & bits
- #8 Wood screws (obtain locally)
- #8 Sheet metal screws (obtain locally)
- RTV Silicone (obtain locally if needed)

INSTALLATION INSTRUCTIONS

Before you begin

These instructions illustrate the Stylmark® Rolling Door Assembly for Wood End Application (Models 610005, 610007 & 610099). If you have questions during assembly, call 800-328-2495 to reach technical assistance. This package does not include glass, wood screws or other door panels, which are necessary for complete assembly.

Please read these instructions carefully before beginning installation.

Stylmark Installation Instructions: Models 610005, 610007 & 610099

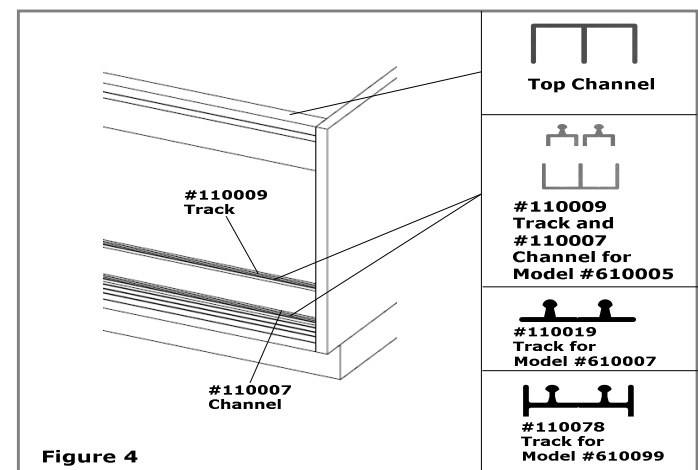
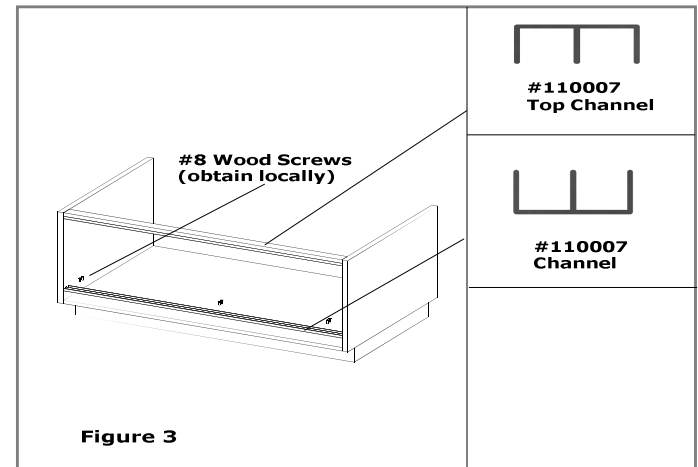
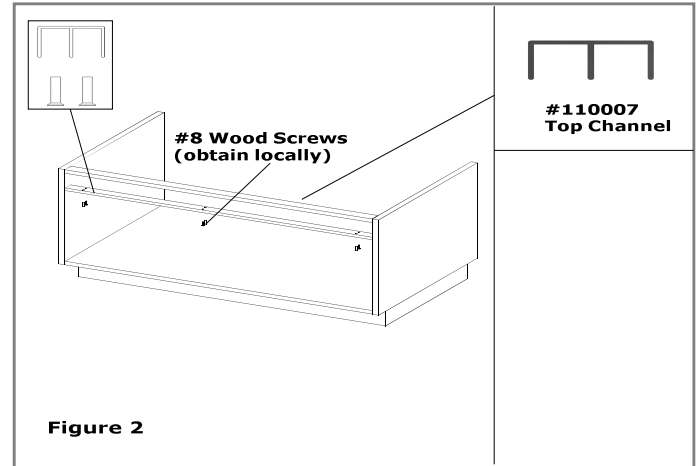
Rolling Door Assembly – Wood End

Getting Started:

These instructions are for pre-fabricated rolling door assemblies. If assembly was not ordered as pre-fabricated, the stock length extrusions will need to be fabricated by the installer to meet the required dimensions of the project. Please note that part #110007 may be used as a channel, jamb & top channel depending on configuration of the rolling door ordered.

Step-by-Step Instructions – Jamb Option:

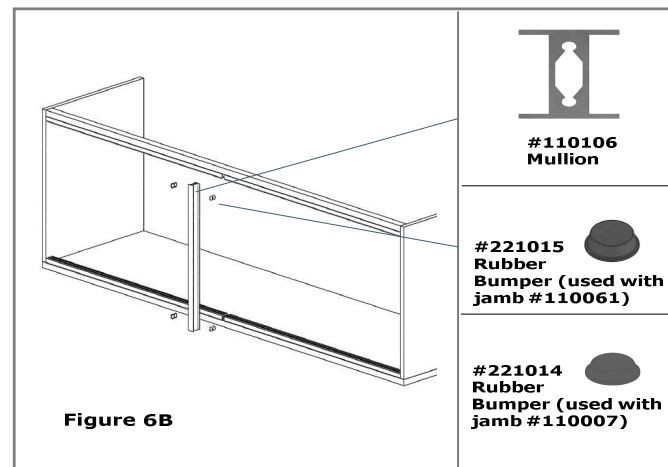
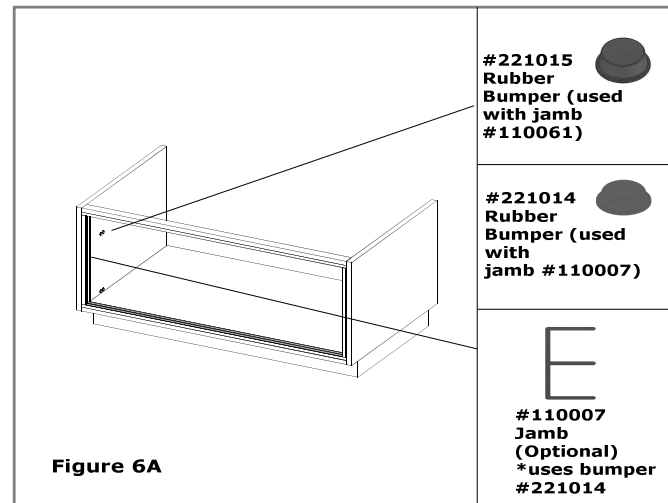
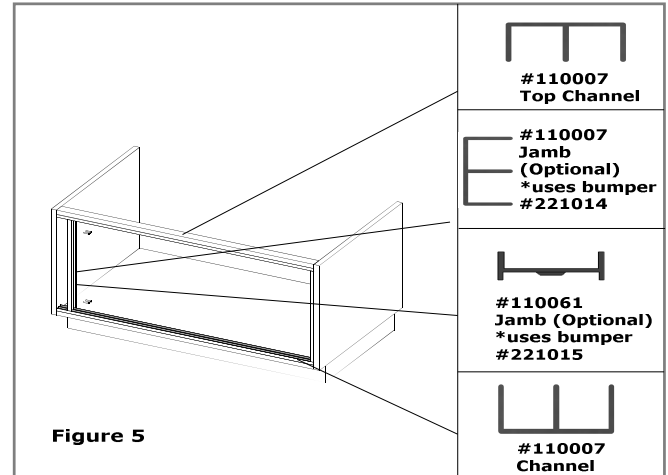
1. If assembly was ordered with a jamb, determine jamb ordered (#110007 or #110061).
2. For assembly with jamb #110007, attach rolling door top channel to the underside of the wood case with #8 wood screws (obtain locally). **See Figure 2.** If jamb #110061 was ordered, skip to step #13.
3. Attach channel to the bottom of the wood case with #8 wood screws (obtain locally). **See Figure 3.**
4. Set channel #110007 into bottom of the case. Next, lay track #110009 into channel #110007. **See Figure 4.**
5. Attach jamb #110007 to side of case using #8 wood screws (obtain locally). **See Figure 5.**
6. Remove the adhesive backing from the rubber bumpers (part #221014) and attach them to side jambs uprights **See Figure 6A** and / or onto the center mullion (#110106 installed if over 62"). **See Figure 6B.** To install the center mullion, place the mullion between the top and bottom frame, no fasteners are needed.
7. Assemble the doorframe pieces. **See Figure 7.** Mark each piece for left or right door panel.
8. Cut lengths of black vinyl glazing tape to fit along bottom edge of the door panel. **See Figure 7.**
9. Fit the shoe onto the door panel and tap into place with a rubber mallet. **See Figure 8.**
Caution: If door height is taller than 36", RTV Silicone to the glass instead of glazing tape for extra stability.
10. Place top guide #419007 on top of panel. **See Figure 7.**
11. Make sure the glazing materials fit evenly. Trim if necessary.
12. Repeat steps 7 through 11 for the other door panel.



Stylmark Installation Instructions: Models 610005, 610007, & 610099

Rolling Door Assembly – Wood End

13. For assembly with jamb #110061, attach jamb to side of case with #8 wood screws (obtain locally). **See Figure 5.**
14. Attach rolling door header to the underside of the wood case with #8 wood screws (obtain locally). **See Figure 2.**
15. Attach channel to the bottom of the wood case with #8 wood screws (obtain locally). **See Figure 3.**
16. Lay track #110009 into channel #110007. **See Figure 4.**
17. Remove the adhesive backing from the rubber bumpers (part #221015) and attach them to side jambs uprights **See Figure 6A** and / or onto the center mullion (#110106 installed if over 62"). **See Figure 6B.** To install the center mullion, place the mullion between the top and bottom frame, no fasteners are needed.
18. Assemble the doorframe pieces. **See Figure 7.** Mark each piece for left or right door panel.
19. Cut lengths of black vinyl glazing tape to fit along bottom edge of the door panel. **See Figure 7.**
20. Fit the shoe onto the door panel and tap into place with a rubber mallet. **See Figure 8.**
Caution: If door height is taller than 36", RTV Silicone to the glass instead of glazing tape for extra stability.
21. Place top guide #419007 on top of panel. **See Figure 7.**
22. Make sure the glazing materials fit evenly. Trim if necessary.
23. Repeat steps 18 through 22 for the other door panel.



Stylmark Installation Instructions: Models 610005, 610007, & 610099 Rolling Door Assembly – Wood End

Step-by-Step Instructions – No Jamb Option:

1. If no jambs were ordered, attach rolling door top channel to the underside of the wood case with #8 wood screws (obtain locally). **See Figure 2.**
2. Attach channel to bottom of wood case with #8 wood screws (obtain locally). **See Figure 3.**
3. Assemble the doorframe pieces. **See Figure 7.** Mark each piece for left or right door panel.
4. Cut lengths of black vinyl glazing tape to fit along bottom edge of the door panel. **See Figure 7.**
5. Fit the shoe onto the door panel and tap into place with a rubber mallet. **See Figure 8.**
Caution: If glass height is taller than 36", RTV Silicone to the glass instead of glazing tape for extra stability.
6. Place top guide #419007 on top of panel. **See Figure 7.**
7. Make sure the glazing materials fit evenly. Trim if necessary.
8. Repeat steps 3 through 7 for the other door panel.

