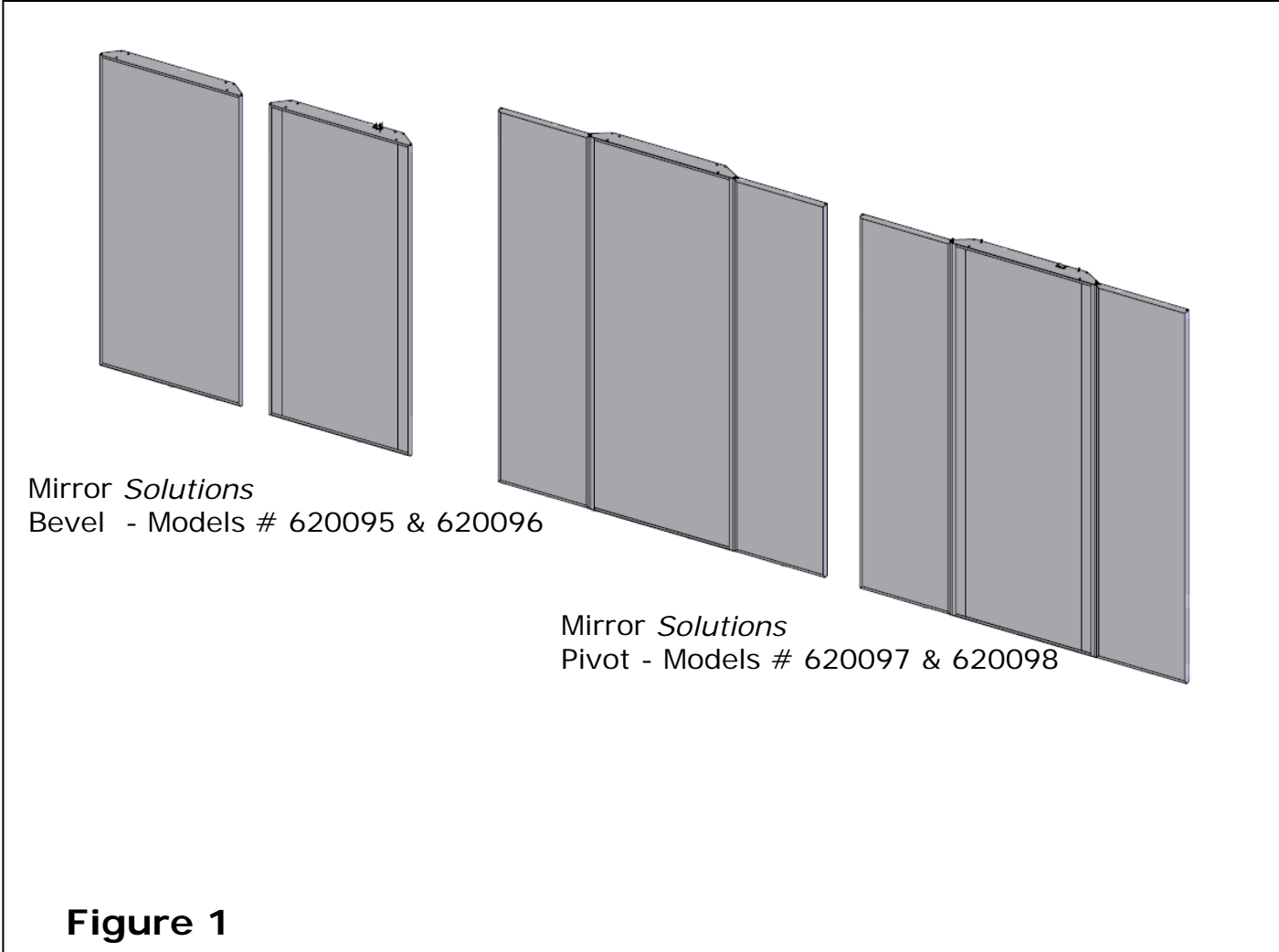




Installation Instructions

Mirror *Solutions*
Bevel & Pivot
Models 620095 - 620098



INSTALLATION INSTRUCTIONS

Before you begin

These instructions illustrate the Stylmark® Mirror *Solutions* – Pivot & Bevel. If you have questions during assembly, call 800-328-2495 to request technical assistance. This installation requires a minimum of two people to assemble.

Tools you'll need

- Level
- Tape Measure
- #2 Phillips screw driver
- Drill & bits
- Wiring tools
- 75 lbs pullout rated fasteners
- Shims
- 1/16" Allen Wrench (Pivot model)

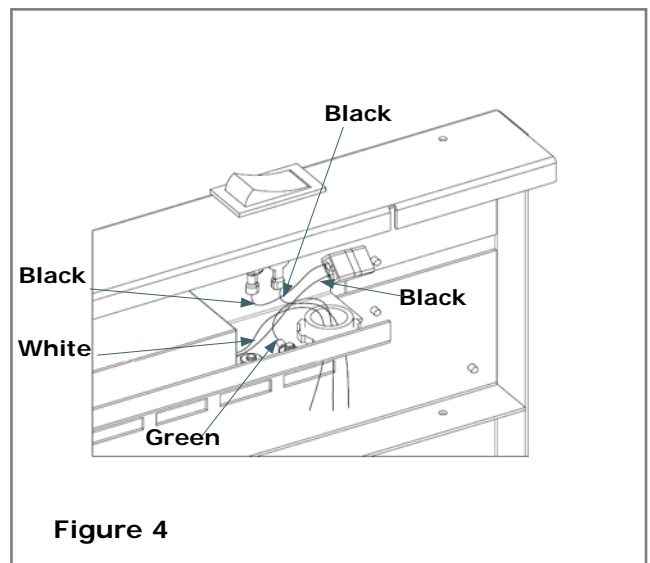
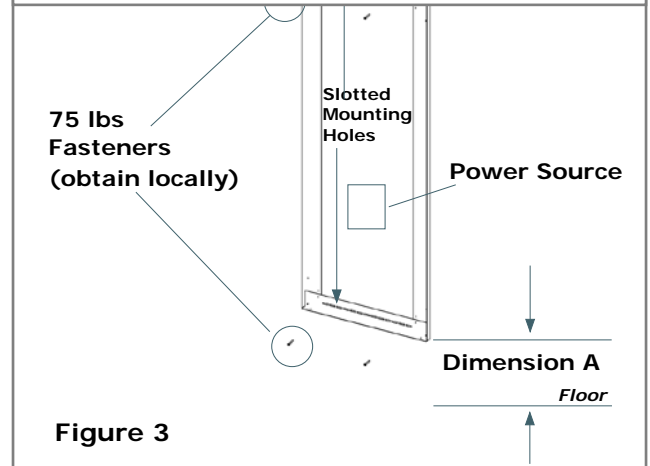
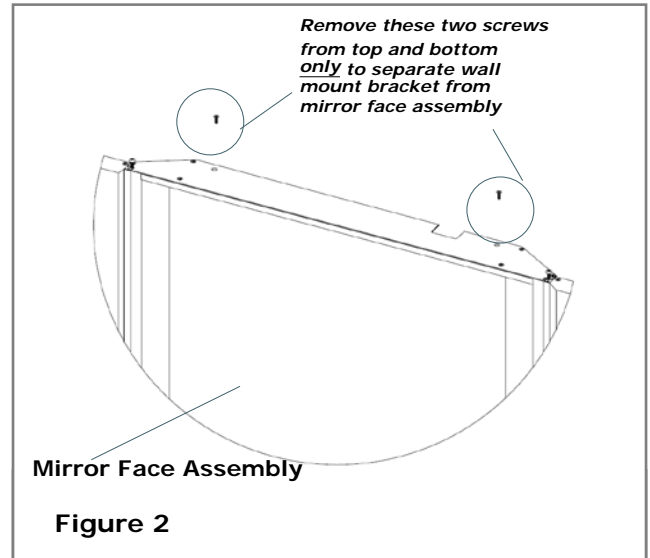
Please read these instructions carefully before beginning installation.

Getting Started:

Please review important safety instructions before starting. Determine the location for installing the mirror assembly. Installation should be performed by authorized personnel only. The Bevel & Pivot - Models 620095 – 620098 are for commercial use only, intended as a viewing mirror.

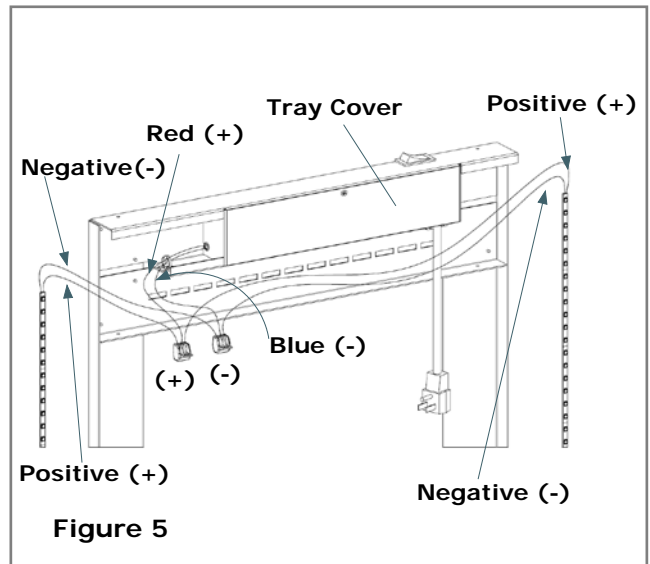
Step-by-Step Instructions:

1. With the mirror lying face down, remove two screws from both top & bottom covers & lift out the wall mount bracket. (See Figure 2)
2. Determine mounting location. Location must have power source location on the wall within inner area of wall mount bracket. The wall mount bracket includes slotted mounting holes to ensure a level and stable attachment. Dimension A is to be determined by customer. Stylmark recommends Dimension A to be minimum of 8". (See Figure 3)
3. Fasten wall mounting assembly to wall studs or suitable structural location through slotted mounting holes located in top & bottom of wall mounting assembly. Use fastening screws with a minimum pullout rating of 75 lbs per fastener (obtain locally). Notes: Wall mounting assembly must be level & plumb. Shim as needed (obtain locally).
4. Connect all wiring per applicable local codes and refer to wiring diagram. (See Figure 4)



Step-by-Step Instructions Cont.:

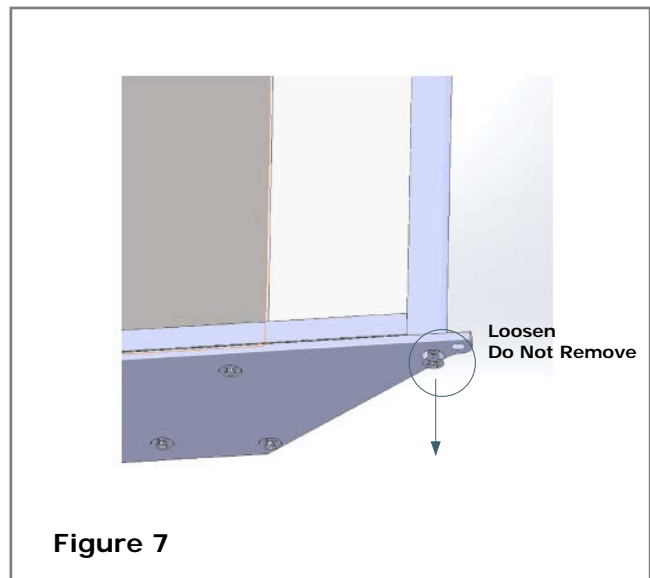
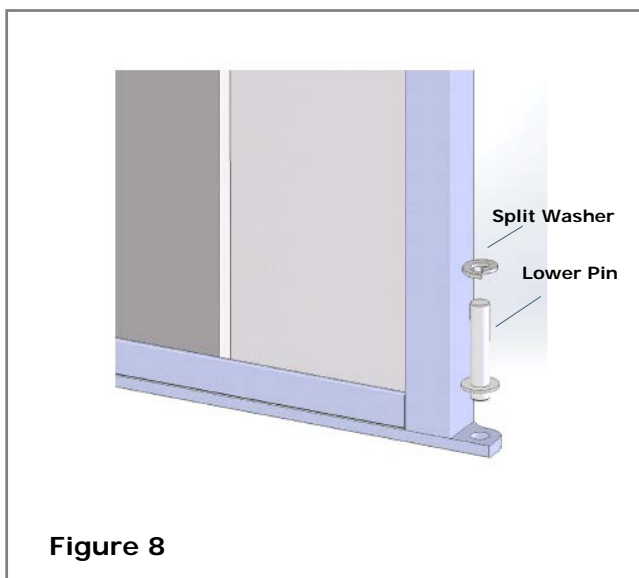
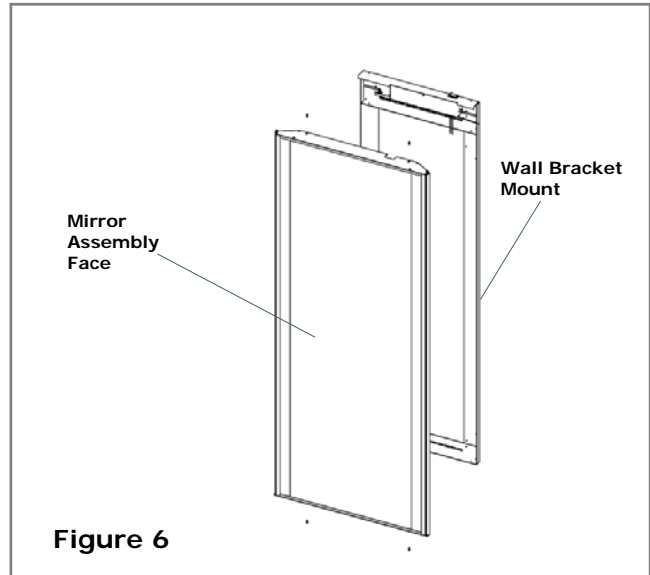
- Replace tray cover and connect LED leads using supplied wire connectors as followed: First, connect positive leads to each LED strip to the RED wire. Second, connect negative leads, one from each LED strip to BLUE wire. Third, carefully bundle tie excess wires together.
(See Figure 5) NOTE: Prior to step 6, if needed, apply a bead of silicone around the perimeter of the wall mount bracket to prevent gaps between wall and mirror where price tags can be hidden.
- Position mirror face assembly over the wall mount bracket and secure to the wall mount bracket using the four screws that were removed in step 1.
(See Figure 6)



Step-by-Step Instructions – Wing Installation:

The following instructions are to properly install the wing of the pivot mirror. A Philips screw driver is needed for this modification.

- Loosen approximately 1/8" (but do not remove) the outer most screw on the bottom of the center panel that attaches the bottom cap to the vertical extrusion. This will allow the bottom cap to "flex" for easier installation of the wing. **(See Figure 7)**
- Insert the lower pin and the split washer into the hole as shown. **(See Figure 8)**



Step-by-Step Instructions – Wing Installation Cont.:

3. Set one of the wing assemblies over the pin and split washer. **(See Figure 9)**
4. Place one wave washer on the top of the wing assembly and move into place. Once aligned, insert the upper pin to secure the wing.
NOTE: It is intended to be a tight fit. You may need to loosen the lower screw a little more (see step 1) or apply a slight downward force to get the wing and washer to fit within the opening. **(See Figure 10)**
5. Insert and tighten the button head screw to prevent pin removal. **(See Figure 11)**
6. Once the wing assembly is installed, tighten the lower screw that was loosened in step 1. This will compress the washers adding friction to the wing movement. **(See Figure 12)**
NOTE: If the wing still moves too freely, install additional wave washers as needed.
7. Repeat the process to install the other wing assembly.

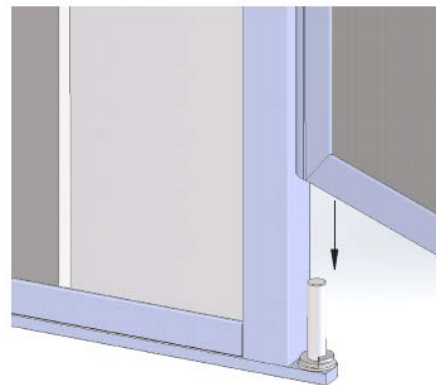


Figure 9

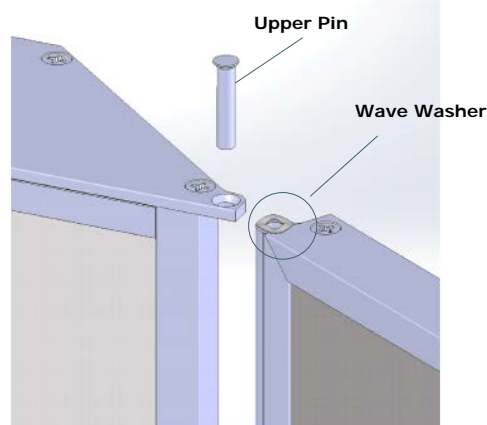


Figure 10

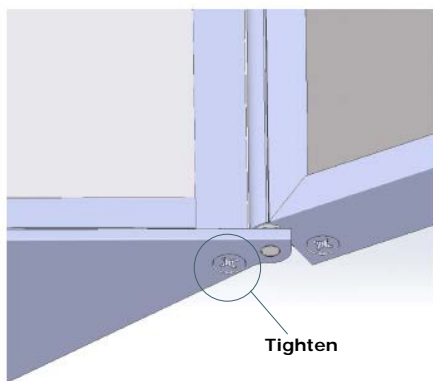


Figure 12

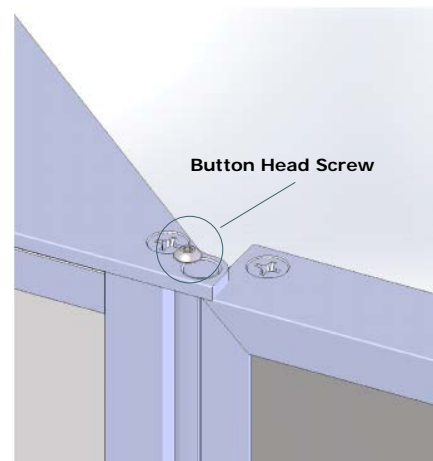


Figure 11

IMPORTANT SAFETY INSTRUCTIONS
SAVE THESE INSTRUCTIONS

A) READ ALL INSTRUCTIONS BEFORE USING THIS PRODUCT

B) **DANGER** - TO REDUCE THE RISK OF ELECTRICAL SHOCK: CONNECT THIS FURNISHING TO A PROPERLY GROUNDED CIRCUIT

C) **WARNING** – TO REDUCE THE RISK OF BURNS, FIRE, ELECTRICAL SHOCK OR INJURY TO PERSON:

- a. UNPLUG OR SWITCH OFF POWER BEFORE REMOVING OR REINSTALLING ANY PARTS.
- b. USE THIS PRODUCT FOR ITS INTENDED PURPOSE AS DESCRIBED IN THESE INSTRUCTIONS. DO NOT USE ANY ATTACHEMENTS NOT RECOMMENDED BY THE MANUFACTURER.
- c. DO NOT CLEAN BY SPRAYING CLEANERS DIRECTLY ON OR NEAR THE LAMPS OR ITS ELECTRICAL CONNECTIONS NEAR THE REAR OF THE PRODUCT
- d. DO NOT ALLOW SPILLED LIQUID TO FALL INTO THE LAMP AREA OR THE CONNECTION BOX AT THE REAR OF THE PRODUCT
- e. DO NOT USE OUTDOORS
- f. ALWAYS DISABLE POWER TO THIS PRODUCT PRIOR TO SERVICING.

D) RISK OF INJURY – KEEP CHILDREN FROM CLIMBING ON THIS DISPLAY

E) **GROUNDING INSTRUCTIONS** - THIS PRODUCT MUST BE CONNECTED TO A GROUNDED METAL, PERMANENT WIRING SYSTEM.

F) **DANGER** - IMPROPER CONNECTION OF THE EQUIPMENT GROUNDING CONDUCTOR CAN RESULT IN RISK OF ELECTRICAL SHOCK. CHECK WITH QUALIFIED ELECTRICIAN OR SERVICEMAN IF YOU ARE IN DOUBT WHETHER PRODUCT IS CORRECTLY GROUNDED.

Step-by-Step Instructions – Cleaning:

1. Turn off power to mirror from electrical fuse box or wall switch.
2. Clean mirror with appropriate cleaners before restoring power.
3. Turn on power to mirror from electrical fuse box or wall switch.

Step-by-Step Instructions – Power Supply Replacement:

1. Turn off power to mirror at breaker.
2. Remove wing assemblies (If applicable)
3. Repeat step 1 to remove mirror face assembly from wall mount bracket. **(See Figure 2)**
4. To replace the power supply, proceed by removing the tray cover **(See Figure 5)** and disconnecting the power supply from the high voltage side shown in figure 4. Then the low voltage side shown in figure 5. Remove and replace the power supply and complete installing referring back to figure 4.

Step-by-Step Instructions – LED Replacement:

1. Turn off power to mirror at breaker.
2. Repeat step 1 to remove mirror face assembly from wall mount bracket. **(See Figure 2)**
3. With the mirror face assembly removed, carefully lay the mirror face assembly down on the mirror face. Then removed the screws in the top cover. **(See Figure 13)**
4. Disconnect the wires off the defective LED strip from the wire connectors shown in figure 5.
5. Remove the strain relief bushing and feed the wire through the hole.
6. Carefully pull the LED strip with the reflectors out from the top opening and replace in reverse order. **(See Figure 14)**
7. With the new reflectors and LEDs in place, reinstall the cover and complete the installation in reverse order.

