



Installation Instructions

Hinged Door Frames Wall Mount Models: 610135, 610176 & 610236

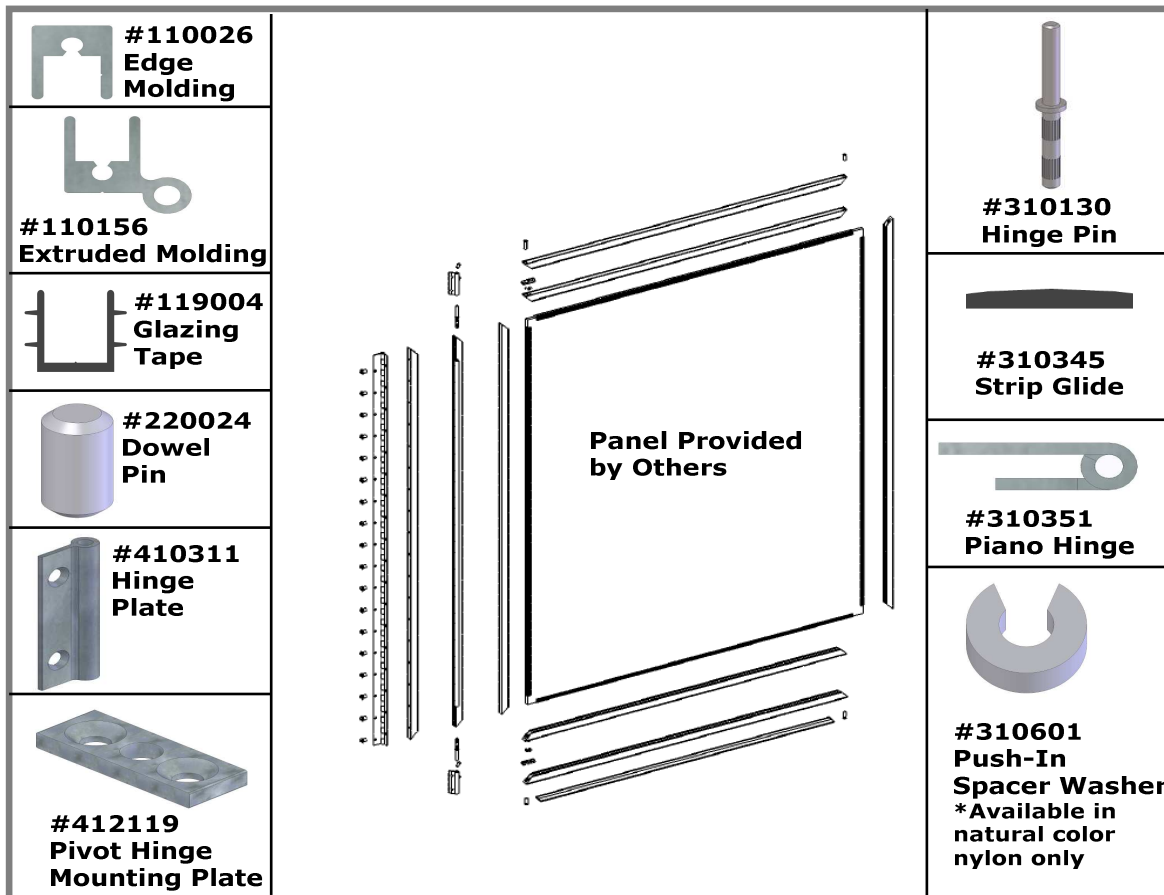


Figure 1

INSTALLATION INSTRUCTIONS

Before you begin

These instructions illustrate the Stylmark® Hinged Door Frames Wall Mount for ¼" panels. If you have questions during assembly, call 800-328-2495 to request technical assistance. This package does not include panels and mounting screws, which are necessary for complete assembly.

Tools you'll need

- Utility knife
- Rubber mallet
- Phillips screwdriver
- #6 Flat head screws (obtain locally)
- #8 Pan head screws (obtain locally)

Please read these instructions carefully before beginning installation.

Stylmark Installation Instructions: Hinged Door Frames Wall Mount Models: 610135, 610176 & 610236

Getting Started:

These instructions are for pre-fabricated hinged door frame assemblies. There are three hinge assemblies available. Follow the instructions for the assembly ordered.

Step-by-Step Instructions – Frame Assembly:

1. Apply glazing material to all four sides of the ¼" panel. **NOTE:** If the panel will be removed periodically, do not glaze the door. **See Figure 2.**
2. To assemble the door frame:
 - a. Align one frame section with panel. Tap the section into position on the panel using a rubber mallet. **See Figure 3.**
 - b. Repeat above step with the opposite frame section.
 - c. Fasten assembled door frame together with #6 x 5/8" flat head screws (part #212040).

Step-by-Step Instructions – Piano Hinge Assembly:

1. For frame assemblies using the piano hinge, fasten the hinge to the pre-drilled frame section using #8 x 5/16" pan head screws (part #213025). Attach the other side of the piano hinge to the door opening with #8 pan head screws (obtain locally). **See Figure 4.**

Step-by-Step Instructions – Extruded Hinge Assembly:

1. For frame assemblies using extruded molding, tap the knurled ends of the hinge pins into the ends of the hinge molding. Slide the hinge plate onto the hinge pin. Attach the hinge plates to the door opening with #6 flat head screws (obtain locally). **See Figure 5.**



#119004
Glazing
Tape

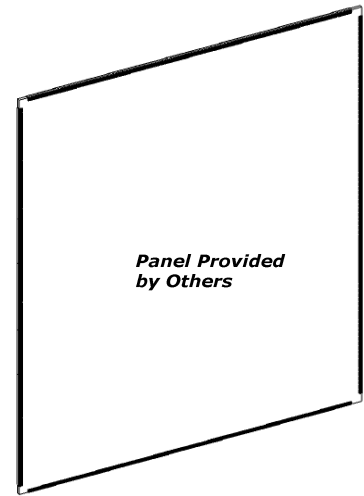


Figure 2

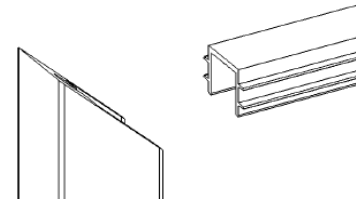
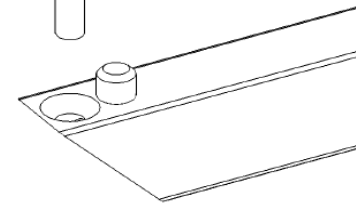


Figure 3



#310351
Piano Hinge



#110026
Edge
Molding

Part #213025

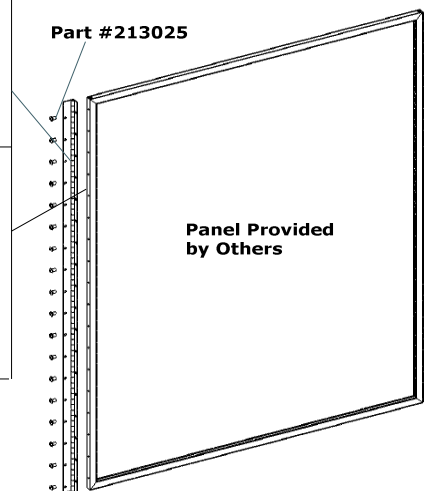


Figure 4

Sheet# 971543
Rev B (12/08)

Stylmark Installation Instructions: Hinged Door Frames Wall Mount Models: 610135, 610176 & 610236

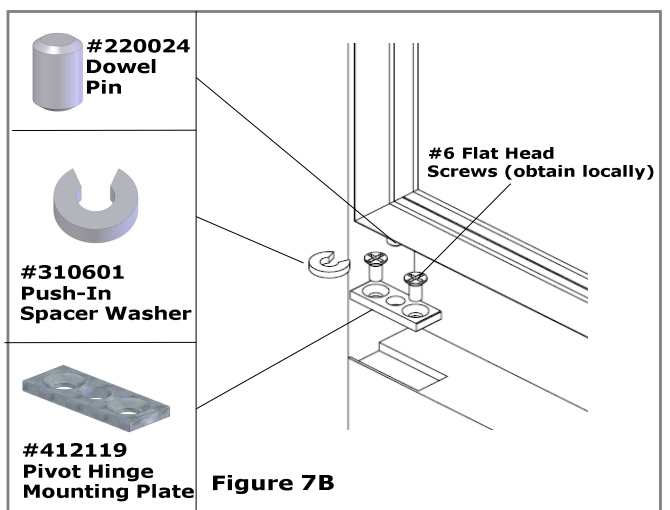
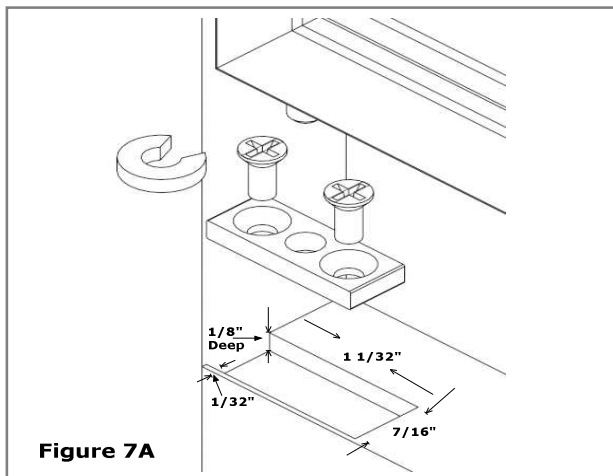
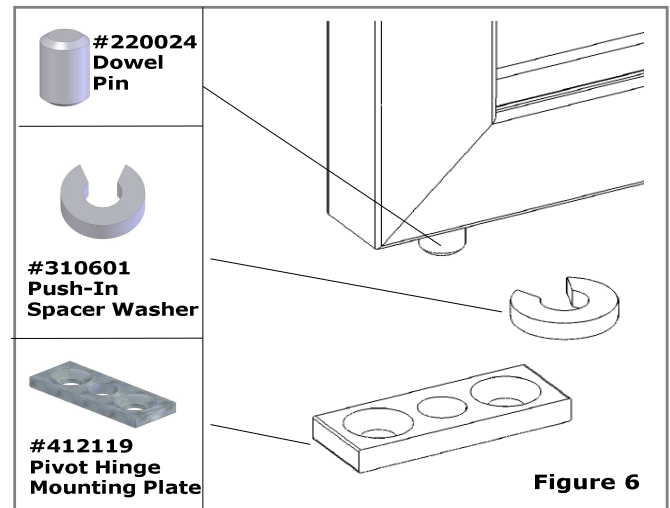
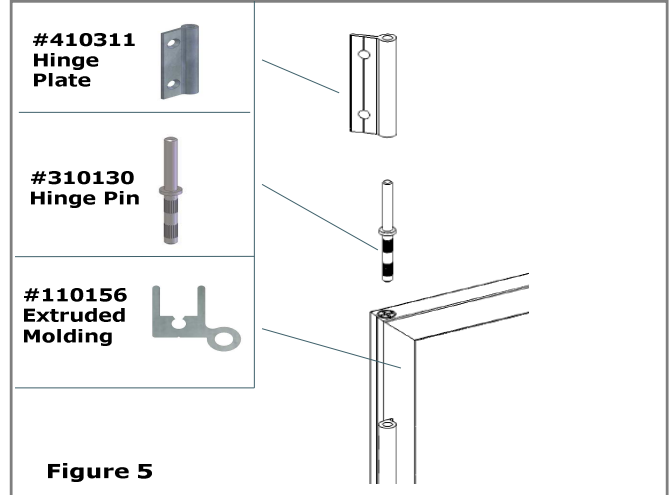
Step-by-Step Instructions – Pivot Hinge Assembly:

With Face Frame

1. For frame assemblies using the pivot hinge, first insert the top dowel pin into the pre-drilled hole on the top of the face frame. Slide the lower dowel pin into the pre-drilled hole on the bottom of the face frame and set into place. Insert the push-in spacer washer (part #310601) onto top and bottom dowel pins for security. **See Figure 6.**

Without Face Frame

2. For hinge doors units without a face frame, mount pivot hinge mounting plate using #6 flat head screws (obtain locally).
3. Create the necessary slots in the top and bottom mounting surface where the pivot hinge mounting plate is to be attached. **See Figure 7A.** The slot should be approximately 1/32" from the location where the door frame is to line up when closed. The slot should be created so that it starts at the vertical door framing surface.
4. Insert the pivot hinge mounting plate into the slots and secure using #6 flat head screws (provided locally). **See Figure 7B.**
5. Completely insert the top pivot hinge on the door frame into the hole in the top pivot hinge mounting plate, slide the bottom pivot hinge over the hole in the lower pivot hinge mounting plate. Push the push-in spacer washer (part #310601) onto the bottom pivot hinge and let the door frame set on the lower surface. Push the other push-in spacer washer (part #310601) onto the top pivot hinge to prevent the door from being easily removed.



Sheet# 971543
Rev B (12/08)