



stylmark®

Installation Instructions

Heavy-Duty Hinged Door Frames Wall Mount

Models - 610136-610139 & 610177

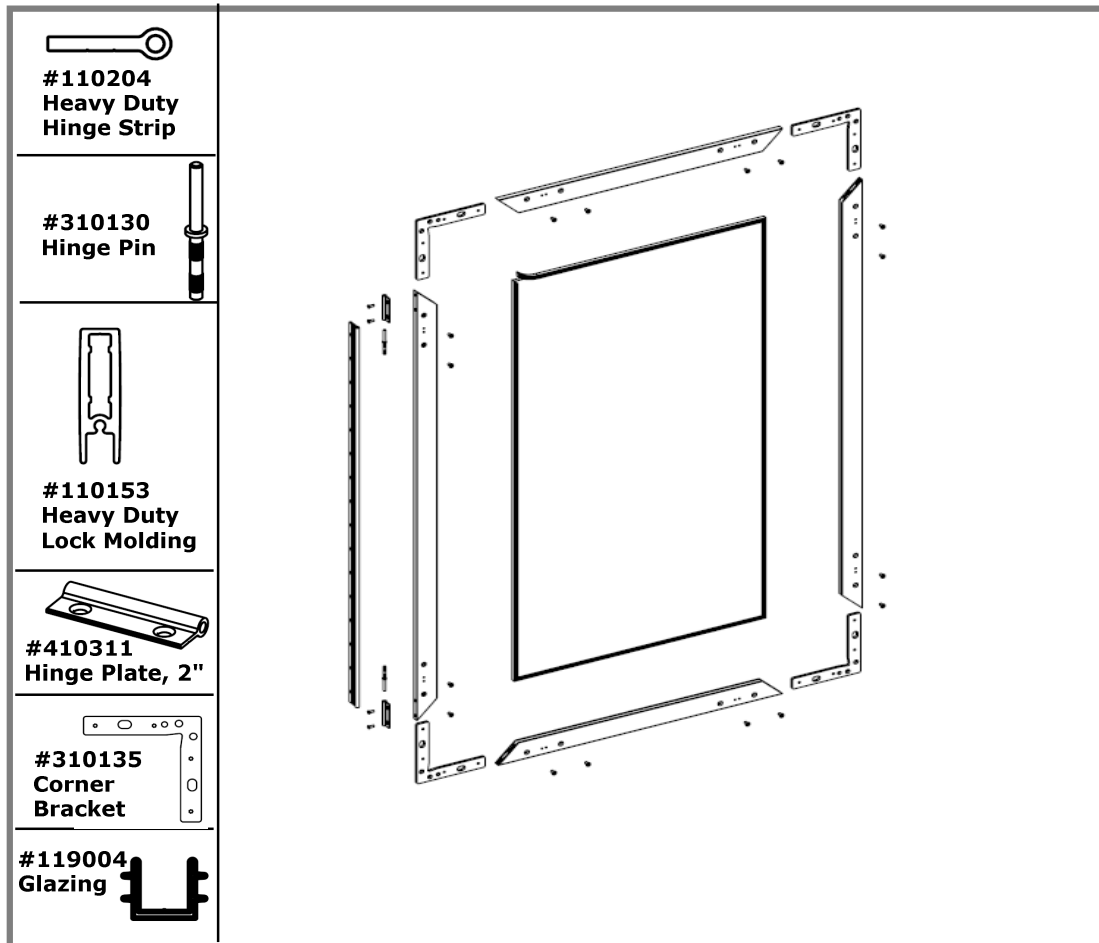


Figure 1

INSTALLATION INSTRUCTIONS

Before you begin

These instructions illustrate the Stylmark® Heavy-Duty Hinged Door Frames Wall Mount for 1/4" panels. If you have questions during assembly, call 800-328-2495 to request technical assistance. This package does not include panels and mounting screws, which are necessary for complete assembly.

Tools you'll need

- Utility knife
- Rubber mallet
- Phillips and regular screwdriver
- #6 Flat head screws (obtain locally)
- #8 Pan head screws (obtain locally)

Please read these instructions carefully before beginning installation.

Part Number# 971205
Rev D (9/12)

Stylmark, Incorporated ♦ 6536 Main Street NE, PO Box 32008 ♦ Minneapolis, MN 55432
1-800-328-2495 ♦ www.stylmark.com

Stylmark Installation Instructions: Heavy-Duty Hinged Door Frames

Wall Mount Models: 610136-610139 & 610177

Getting Started:

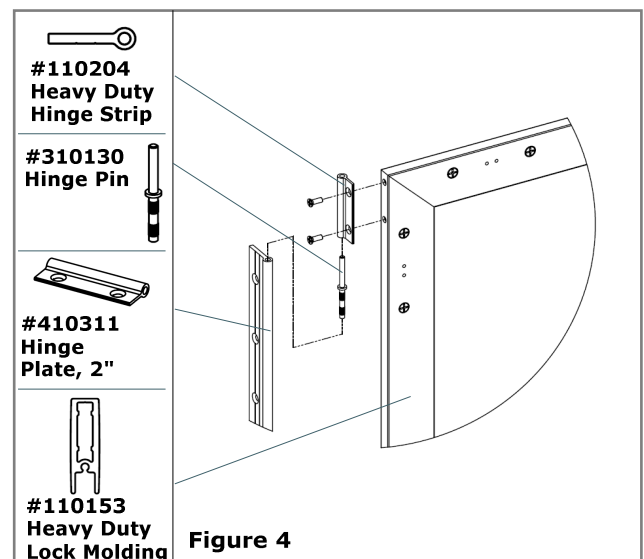
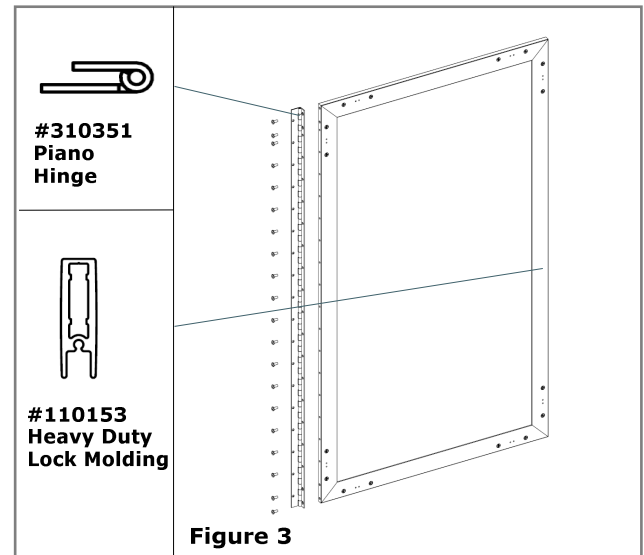
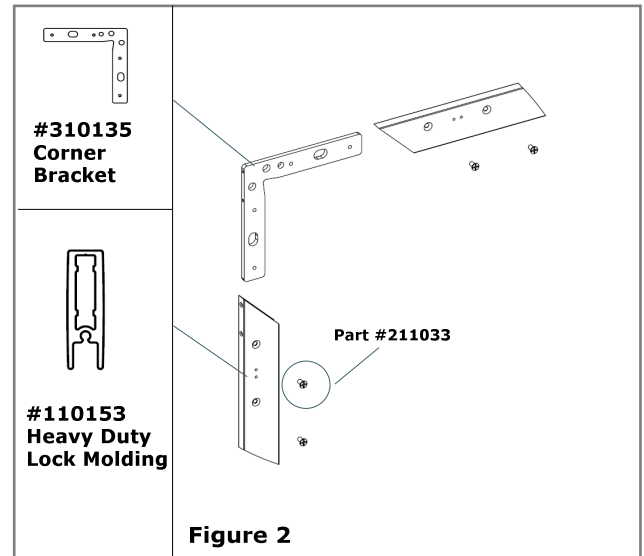
These instructions are for pre-fabricated heavy-duty hinged door frame assemblies. If using a face frame with the hinged door frame, first install the face frame.

Step-by-Step Instructions – Frame Assembly:

1. Apply glazing material to all four sides of the ¼" panel. **NOTE:** If the panel will be removed periodically, do not glaze the door.
2. To assemble the door frame:
 - a. Align one frame section with glass panel. Tap the section into position on the glass using a rubber mallet. **See Figure 2.**
 - b. Repeat Step A with the opposite frame section.
 - c. Insert corner brackets into the remaining two frame sections, making sure the pre-drilled holes on the edge of the brackets will align with holes on the pre-drilled frame section. Place the sections onto the panel and tap into place with rubber mallet, aligning mitered corners.
 - d. Fasten assembled door frame together with #8 flat head screws (part #211033).

Step-by-Step Instructions – Hinged Assembly Options:

1. For frame assemblies using the piano hinge, fasten the hinge to the pre-drilled frame section using #8 pan head screws (part #213016). Fasten the hinge to the corner brackets with (4) #6 flat head screws (part #211042). Attach the other side of the piano hinge to the door opening with customer supplied screws. **See Figure 3.**
2. For frame assemblies using the heavy-duty hinge strip:
 - a. Fasten one hinge plate with the hinge pin to the pre-drilled frame section with #6 flat head screws (part #211042). **See Figure 4.**
 - b. Slide the hinge strip onto the hinge pin.
 - c. Slide the remaining hinge plate with hinge pin onto the other end of the hinge strip. Attached both hinge plates to the pre-drilled frame section with screws.
 - d. Attach the heavy-duty hinge strip to the door opening with fasteners (obtain locally).
3. For frame assemblies using a hinged molding, tap the knurled ends of the hinge pins into the ends of the hinge molding. Slide the hinge plates onto the hinge pins. Attach the hinge plates to the door frame with #6 flat head screws (part #211042).



Part Number# 971205
Rev D (9/12)

Stylmark Installation Instructions: Heavy-Duty Hinged Door Frames Wall Mount Models: 610136-610139 & 610177

Step-by-Step Instructions – Cam Lock Option:

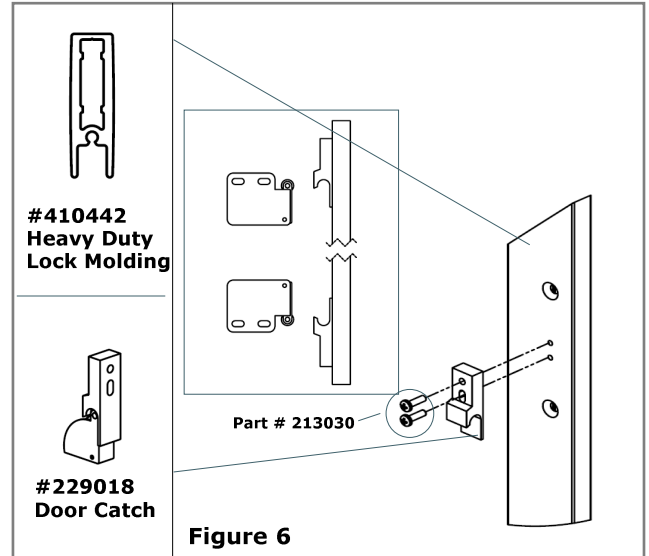
Cam Lock Option

If using a cam lock with the hinged door frame, install the lock on the frame section opposite the hinge.

Door Catch Option

Install door catches at the top and bottom of the hinged door frame. Mount the catches with the supplied screws (part#213030) using the pre-drilled holes on the frame section opposite the hinge. **See Figure 5.**

Note: Door catches are used in combination with push latches. Install push latches if they are not already installed.



Part Number# 971205
Rev D (9/12)