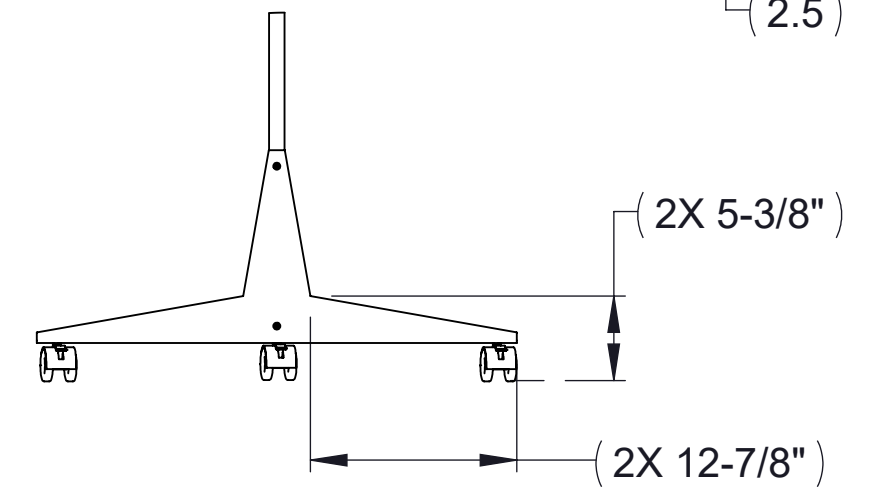
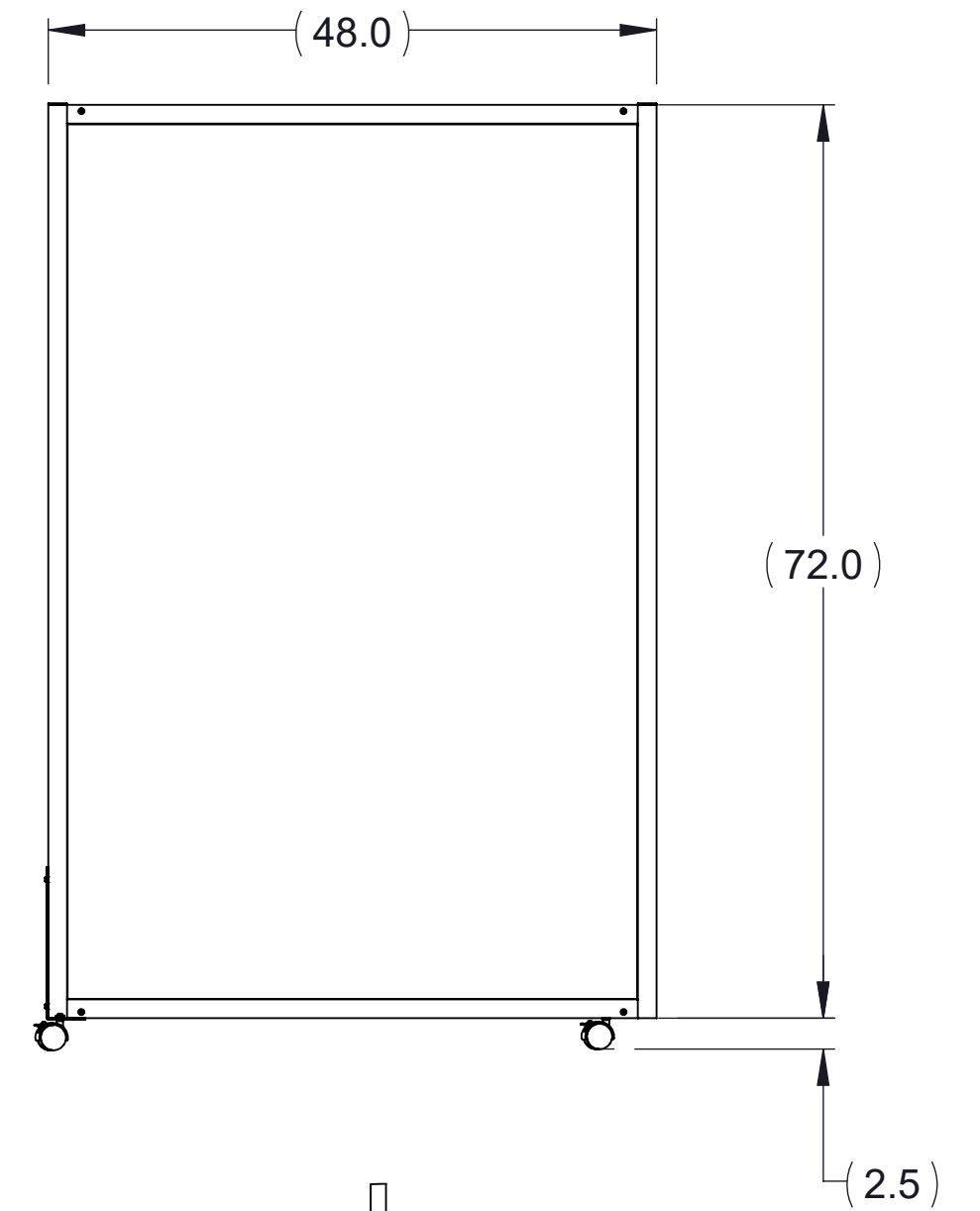
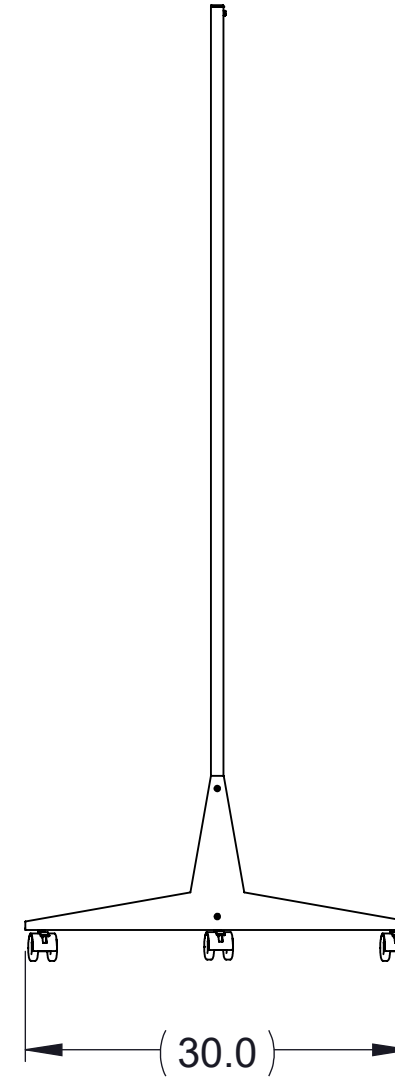
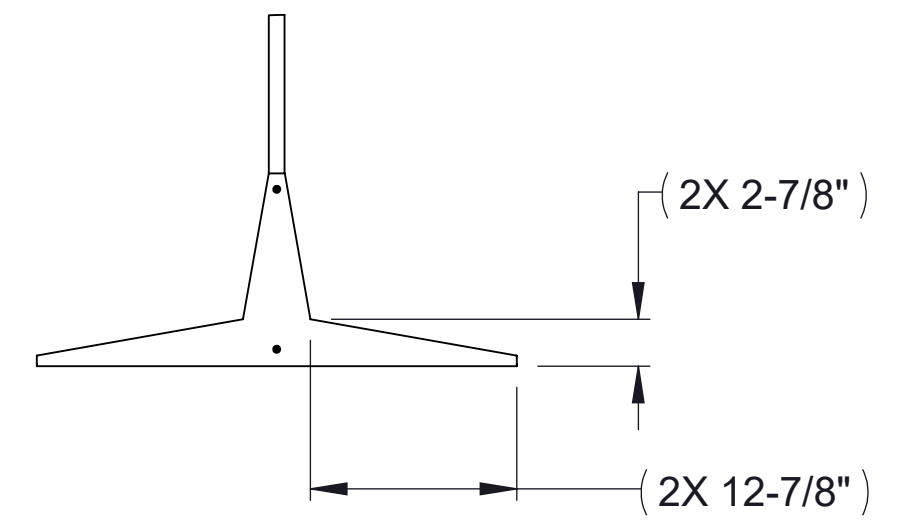


INSTALL AS SHOWN AND TIGHTEN WITH LARGE HEX PROVIDED



END VIEW SHOWN W/CASTERS



END VIEW SHOWN WO/CASTERS

INSTALL AS SHOWN AND TIGHTEN WITH SMALL HEX PROVIDED

ASSEMBLY STEPS COMPLETE VIEW: 6 7

INSTALL SO BOTH SURFACES ARE FLUSH

INSTALL AS SHOWN AND TIGHTEN WITH LARGE HEX PROVIDED

INSTALL AS SHOWN AND TIGHTEN WITH LARGE HEX PROVIDED

PANEL PROVIDED BY OTHERS, SEE NOTES

NOTES:

1. PANEL SIZE RECOMMENDATION FOR PANEL THICKNESSES OF 3/16" AND 1/4" IS 69-9/16" X 45-9/16".
2. PANEL SIZE RECOMMENDATION FOR PANEL THICKNESS OF 1/2" IS 69-7/8" X 45-7/8".