



## Installation Instructions

Flexis™  
Wall Standards  
581099-XX & 581100-XX

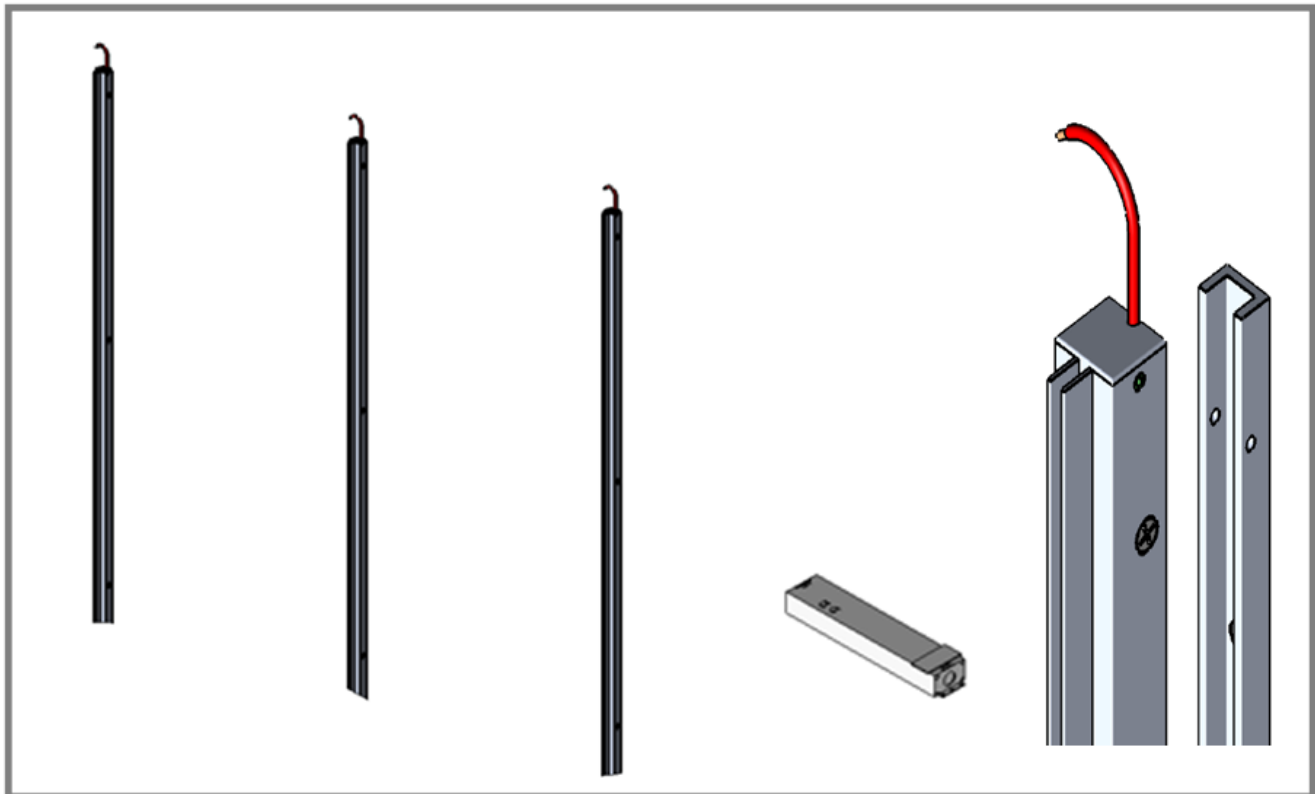


Figure 1

## INSTALLATION INSTRUCTIONS

### *Before you begin*

These instructions illustrate how to install the Stylmark® Flexis™ Wall Standards to be used with the Flexis™ DisplayMaker Wall Merchandising System. If you have questions during assembly, call 800-328-2495 to request technical assistance. Note that wall anchors are not included with this package.

### *Tools you'll need*

- Level
- Tape Measure
- #2 Phillips screw driver
- #12 x 2" Flat head screws (obtain locally) to attach standards to mounting surface

**Please read these instructions carefully before beginning installation.**

Part Number# 971861  
Rev A (9/18)

# Stylmark Installation Instructions: Flexis Wall Standards

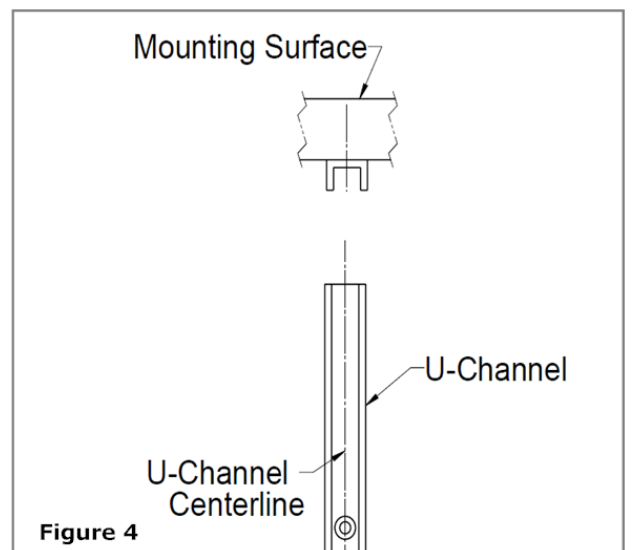
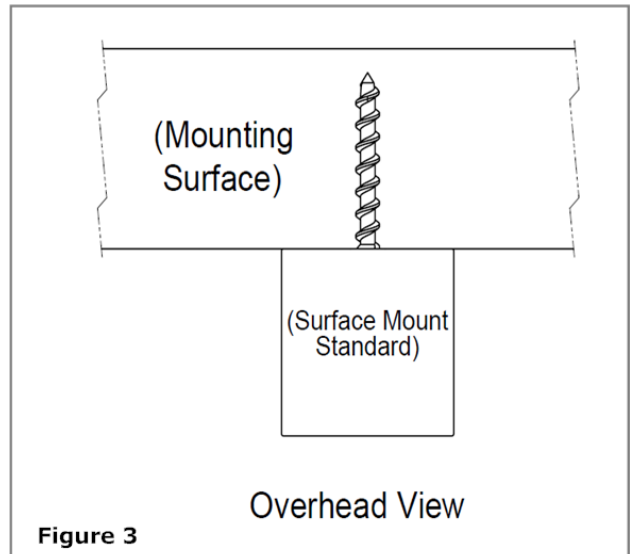
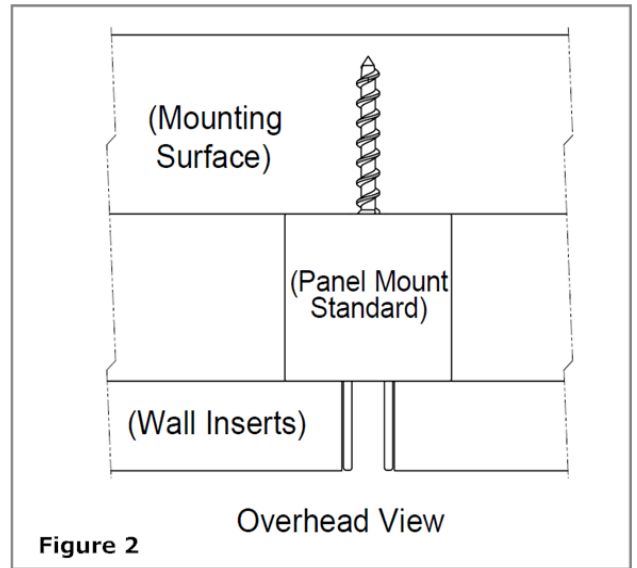
## Getting Started:

Please read **ALL** safety and installation instructions carefully before beginning.

## Step-by-Step Instructions:

**DANGER:** Flexis Standards are designed for use with Stylmark products only. Any other product use could cause electrical failure and voids the Stylmark warranty immediately. Wall inserts or panels are not a part of the Flexis Wall Standard UL listing. The Flexis Wall Standards are assembled and shipped at a fixed length. **DO NOT CUT STANDARDS IN THE FIELD.**

1. All electrical work must be performed by a licensed electrician according to all local and national electrical codes.
2. There are two types of Flexis standards, Panel Mount Standard and Surface Mount Standard. **See Figures 2 and 3.** Both types of standards are installed using the following steps. Preparation of the mounting surface and wall insert panel installation is the responsibility of the installer / general contractor.
3. Ensure mounting location is flat and without obstructions that would prohibit standards from attaching to mounting location uniformly.
4. On the mounting surface, mark the desired centerline location of the first standard. **See Figure 4.**



Part Number# 971861  
Rev A (9/18)

# Stylmark Installation Instructions: Flexis Wall Standards

## Step-by-Step Instructions – Installation Cont.:

- Vertically locate the 'U'-Channel on the marked centerline. Using a level to ensure the 'U'-Channel is plumb, attach the 'U' channel to the wall using #12 x 2" long flat head screws appropriate for the mounting surface.

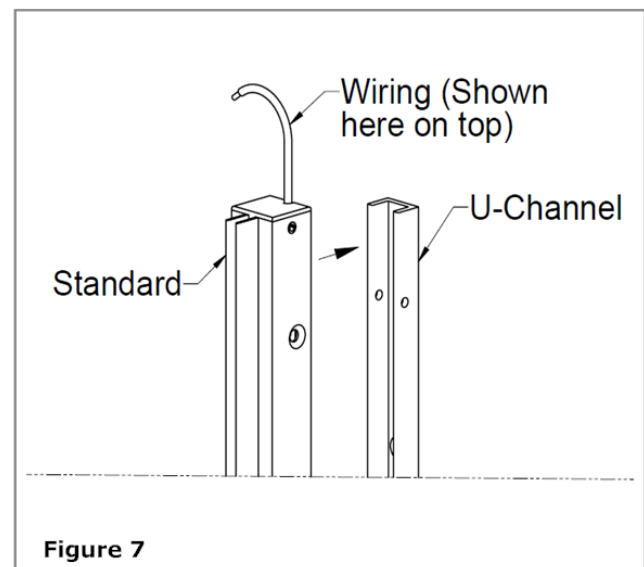
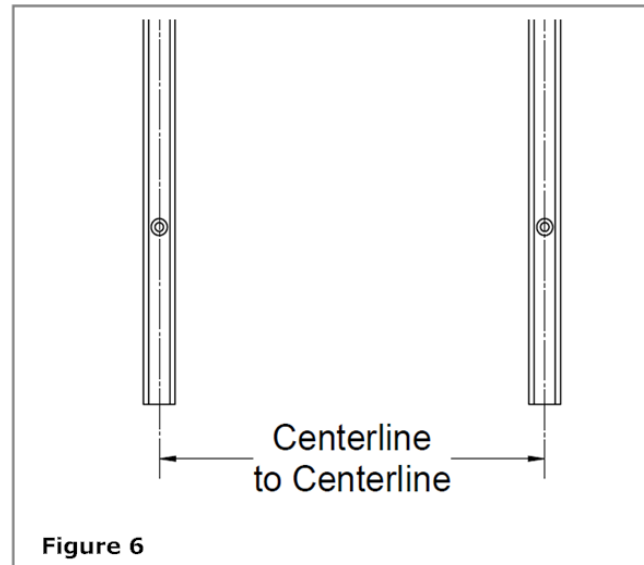
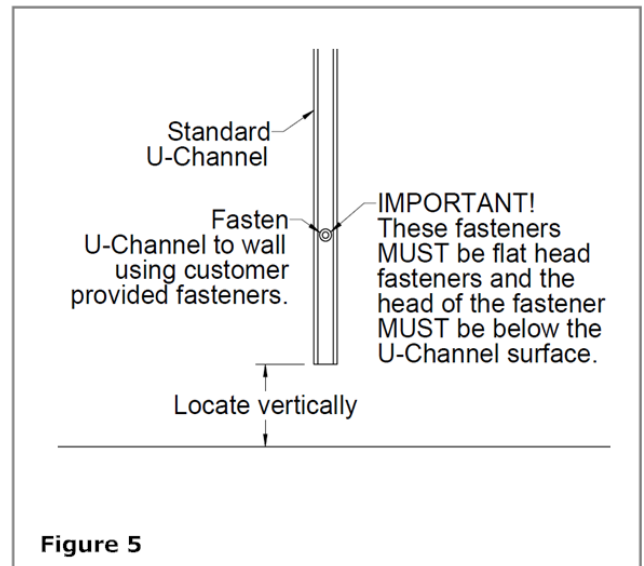
NOTE: It is important that the flat head fasteners engage the entire length in the mounting surface and the heads of the fasteners are below the 'U'-Channel surface. **See Figure 5.**

- Carefully measure and mark the center-to-center dimension of the next 'U' channel. **See Figure 6.**
- Locate the 'U'-Channel on the marked centerline. Adjust the vertical location such that it is level with the first installed 'U' channel. Using a level to ensure the 'U' channel is plumb, attach the 'U' channel to the wall using #12 x 2" long flat head screws appropriate for the mounting surface.

NOTE: It is important that the flat head fasteners engage the entire length in the mounting surface and the heads of the fasteners are below the 'U'-Channel surface. **See Figure 5.** Repeat for all remaining 'U' channels.

- After the 'U'-Channels are mounted, establish the installation sequence of the wired standards. For the shelving to function, standards must be installed in an alternating sequence; a positive standard (red wire) adjacent to a negative standard (black wire) adjacent to the next positive standard (red wire), etc. **See Figure 9**

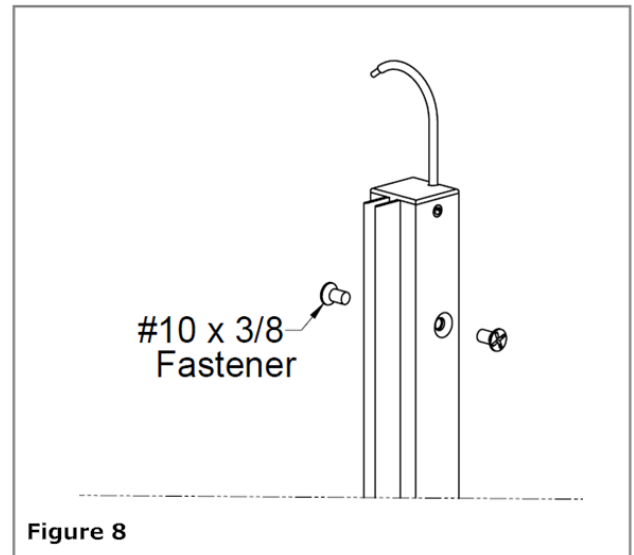
Prepare wiring path of all standards so that attached wiring can be fed to the location of the power supplies. **Power supply spacing to other heat producing components shall be minimum 4 inches spacing to sidewalls, and minimum 2 inches spacing to top of enclosure.**



# Stylmark Installation Instructions: Flexis Wall Standards

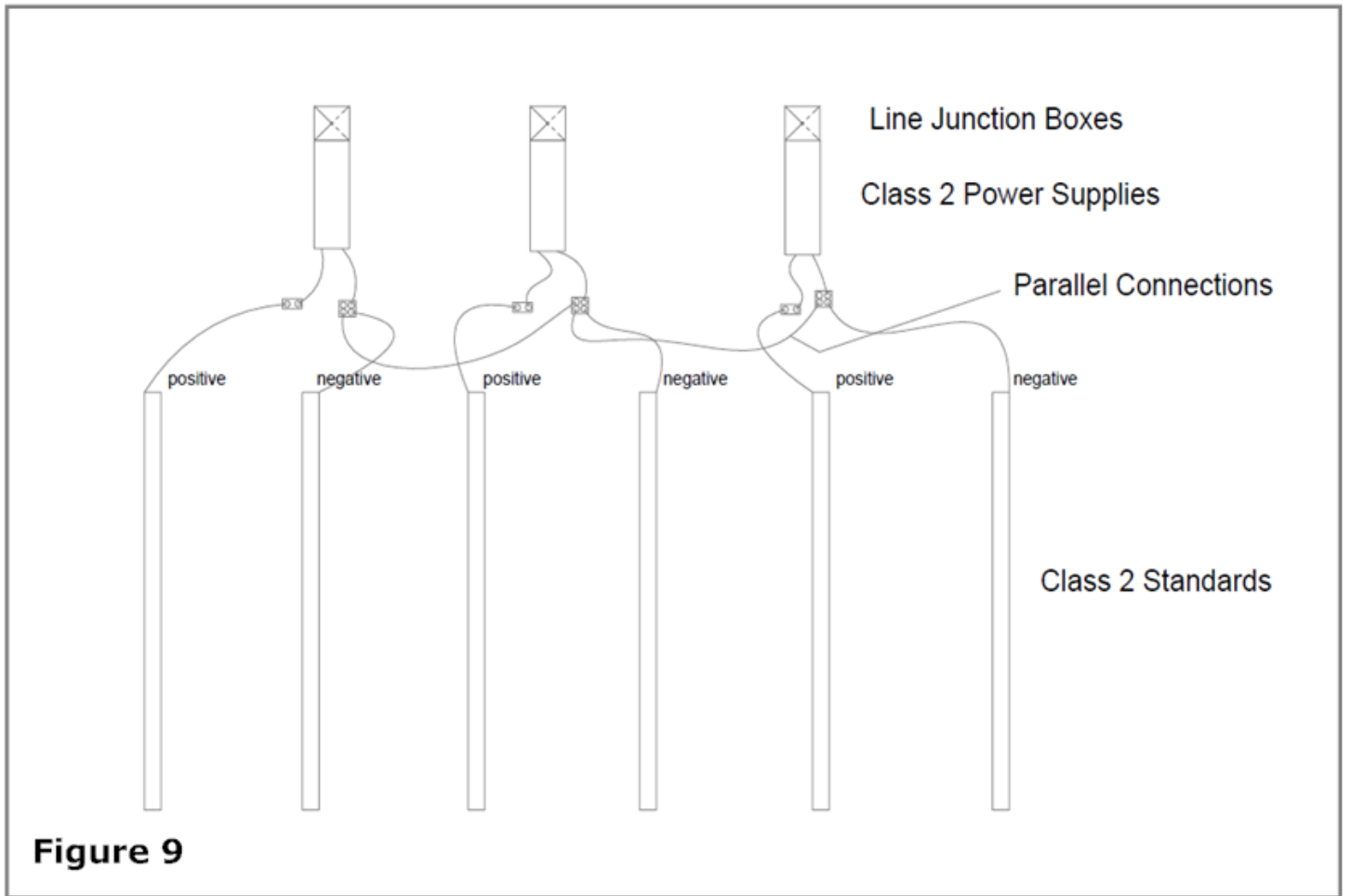
## Step-by-Step Instructions – Installation Cont.:

9. Install the wired standards over the 'U'-Channels and secure using provided #10 x 3/8 flat head fasteners. **See Figures 7 and 8.** Feed wires back to the power supply. Note: The standards can be installed with the wing at the top or at the bottom.
10. Make all wiring connections per wiring diagram. **See Figure 9.** Note that the negative (black wire) standards need to be interconnected to one another using the provided black wire.
11. Connect line voltage wiring to line voltage input side of the power supplies.
12. Turn power on and verify standards are powered (See Flexis DisplayMaker Wall Merchandising System Instructions Part # 971862 for details on shelf installation).



Part Number# 971861  
Rev A (9/18)

# Stylmark Installation Instructions: Flexis Wall Standards



Part Number# 971861  
Rev A (9/18)