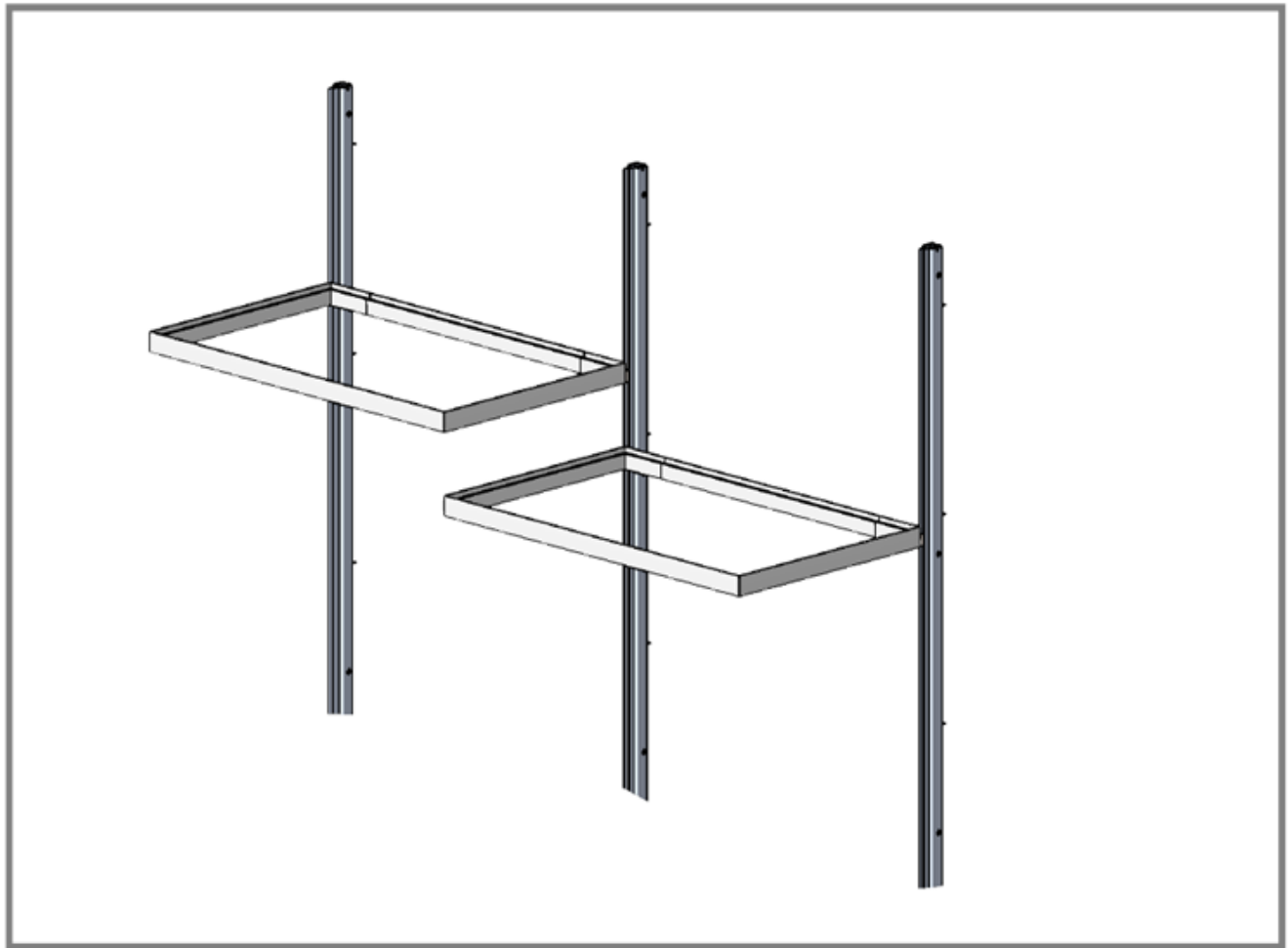




Flexis™  
DisplayMaker  
Shelving System

## Shelf Installation Instructions



**Figure 1**

### **INSTALLATION INSTRUCTIONS**

#### ***Before you begin***

These instructions illustrate how to install the Stylmark® Flexis™ Shelving System to be used with the Flexis™ DisplayMaker Wall Merchandising System. If you have questions during assembly, call 800-328-2495 to request technical assistance.

#### ***Tools you'll need***

- Multimeter

**Please read these instructions carefully before beginning installation.**

Part Number# 971862  
Rev A (9/18)

# Stylmark Installation Instructions: Flexis Shelving System

## Getting Started:

Please read all safety and installation instructions carefully before beginning.

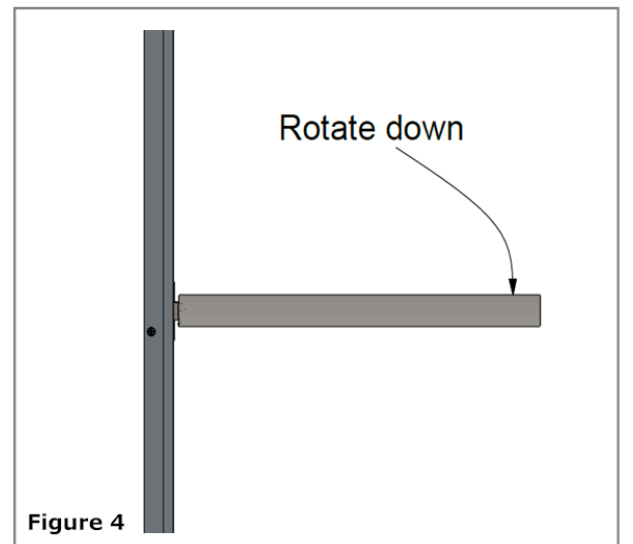
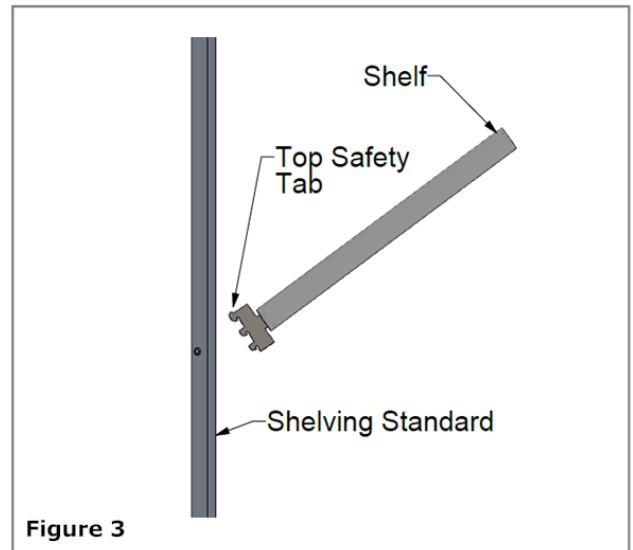
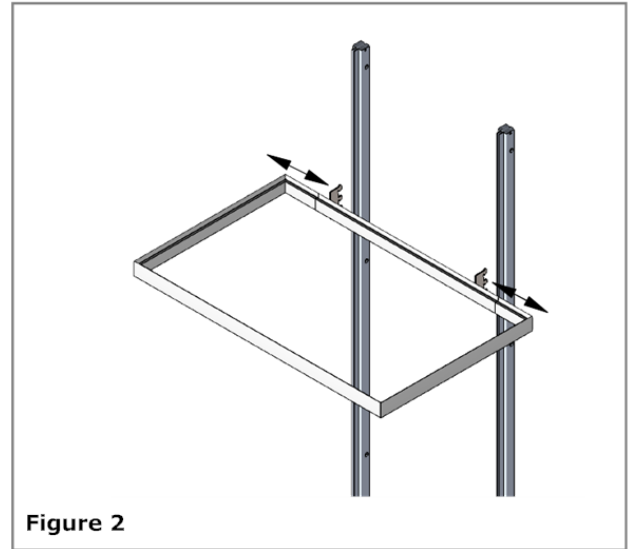
## Step-by-Step Instructions:

1. Ensure that the shelf brackets align with the spacing of the standards. If the brackets do not line up, slide the brackets horizontally as needed to align. **See Figure 2.**
2. Holding the shelf at an angle, hook the top safety tab on the bracket into a slot on the standard. **See Figure 3.**
3. Rotate the front of the shelf down to a horizontal position. All teeth on the bracket should fully engage inside the standard. **See Figure 4.**

NOTE: DO NOT EXCEED THE MAXIMUM RATED LOAD CAPACITY INDICATED ON THE SHELF.

If the shelf does not light upon installing in the standard, check the following:

- Verify that both brackets of the shelf are fully and properly inserted in the standards.
- Use a multimeter to measure the output of the power supply. It should read approximately 24 VDC.
- Using a multimeter, verify there is a 24 VDC potential between the two standards the shelf is installed in. One standard must be positive, and the adjacent standard must be negative.



Part Number# 971862  
Rev A (9/18)