

INSTALLATION INSTRUCTIONS

Before you begin

These instructions illustrate the Stylmark Beacon LED Header System. If you have questions during assembly, call 800-328-2495 to request technical assistance.

Tools you'll need

- Tape Measure
- Tape or glue

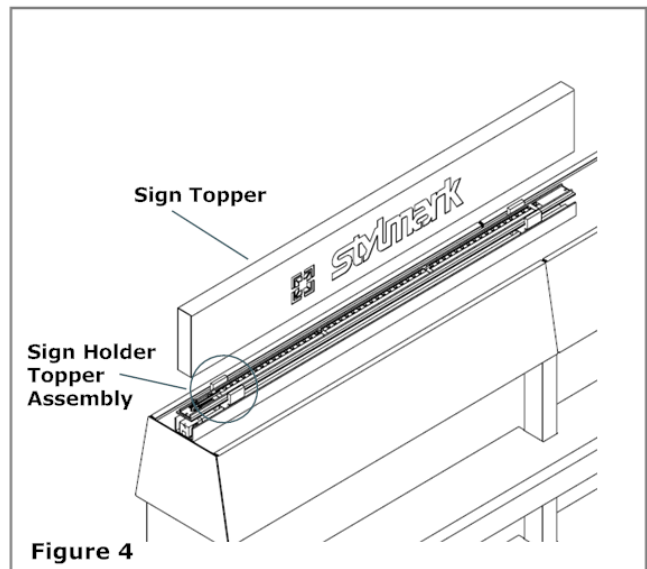
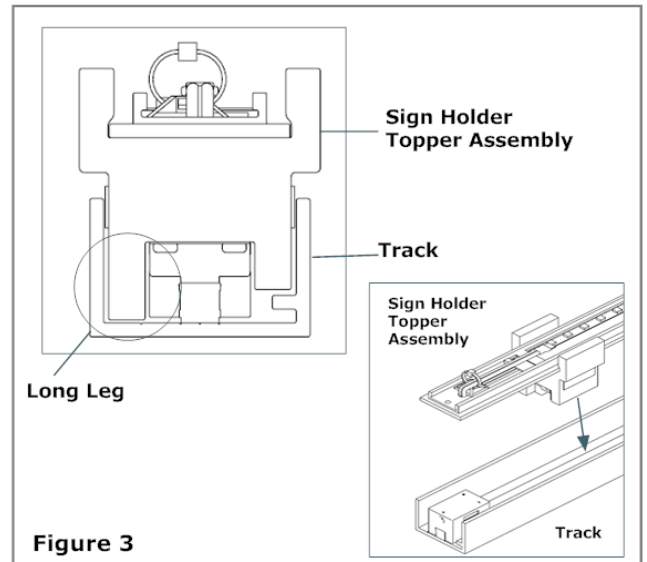
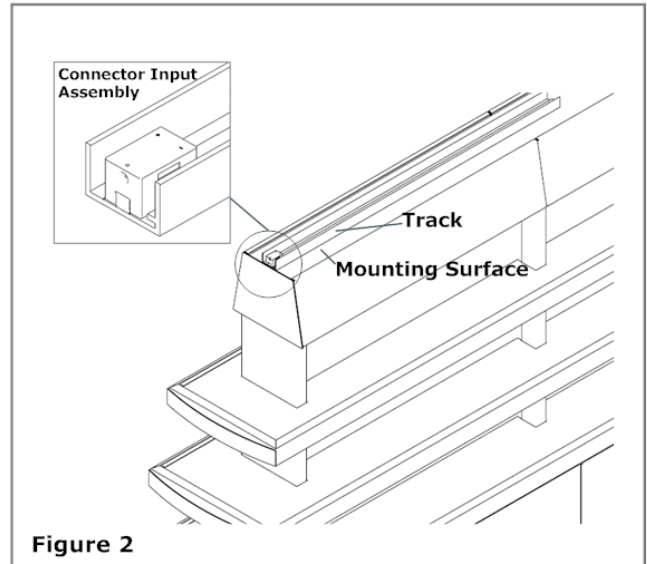
Please read these instructions carefully before beginning installation.

Stylmark Installation Instructions: Beacon LED Header System

Getting Started:

Please review important safety instructions before starting. Installation should be performed by authorized personnel only.

1. Determine location for Beacon LED Header System.
2. Adhere track assembly into place using tape or adhesive glue that will work best with the mounting surface. **(See Figure 2)** Tape / glue obtained locally.
3. Place the sign holder topper assembly onto the track and snap into place. **(See Figure 3)** Note: Position of long leg of sign holder.
4. Place sign topper (custom by customer/order) onto the sign holder topper assembly. Please work with your Stylmark sales representative on your sign needs. **(See Figure 4)**
5. Plug in power supply to the connector input assembly.



Sheet# 971866
Revision B (6/18)

Stylmark Installation Instructions: Beacon LED Header System

IMPORTANT SAFETY INSTRUCTIONS **SAVE THESE INSTRUCTIONS**

A) READ ALL INSTRUCTIONS BEFORE USING THIS PRODUCT

B) **DANGER** - TO REDUCE THE RISK OF ELECTRICAL SHOCK: CONNECT THIS FURNISHING TO A PROPERLY GROUNDED CIRCUIT

C) **WARNING** – TO REDUCE THE RISK OF BURNS, FIRE, ELECTRICAL SHOCK OR INJURY TO PERSON:

- a. UNPLUG OR SWITCH OFF POWER BEFORE REMOVING OR REINSTALLING ANY PARTS.
- b. USE THIS PRODUCT FOR ITS INTENDED PURPOSE AS DESCRIBED IN THESE INSTRUCTIONS. DO NOT USE ANY ATTACHEMENTS NOT RECOMMENDED BY THE MANUFACTURER.
- c. DO NOT CLEAN DIRECTLY ON OR NEAR THE LAMPS OR ITS ELECTRICAL CONNECTIONS.
- d. DO NOT ALLOW LIQUID TO FALL INTO THE LAMP AREA OR THE CONNECTOR INPUT ASSY.
- e. DO NOT USE OUTDOORS.
- f. ALWAYS DISABLE POWER TO THIS PRODUCT PRIOR TO SERVICING.

Step-by-Step Instructions – Cleaning:

1. Turn off power to LED Header System.
2. Clean with appropriate cleaners before restoring power.
3. Turn on power to LED Header System.

Step-by-Step Instructions – Power Supply Replacement:

1. Turn off power at breaker.
2. Remove the power supply to be replaced.
3. Plug in new power supply (refer to step 5).
4. Restore power.