

AXIA INSTALLATION INSTRUCTIONS

REQUIRED TOOLS

- Level
- Screwdriver
- Pencil
- Power Drill
- Measuring Tape

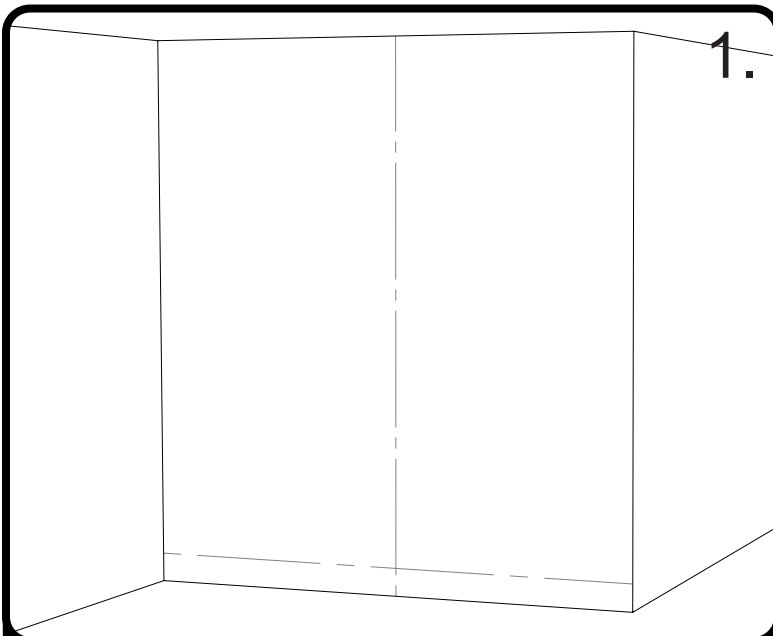
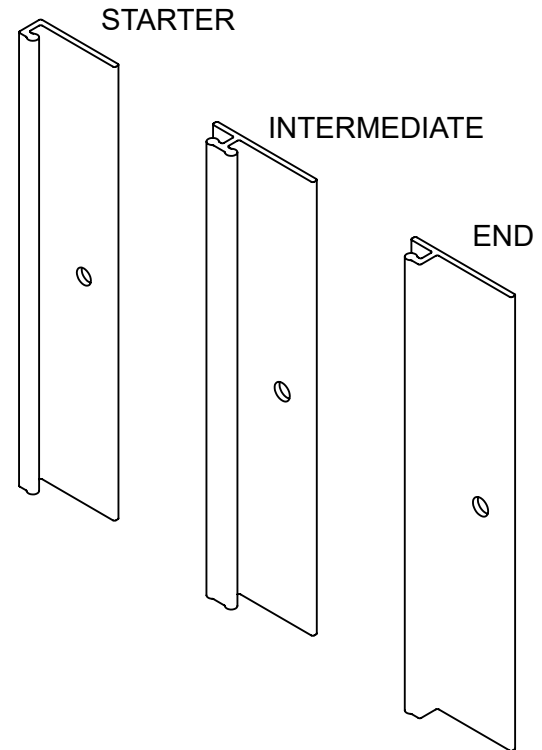
READ BEFORE INSTALLATION:

AXIA panels can be installed starting from either the left, right or center of the wall. Contact Stylmark if you have questions regarding the best choice for your installation.

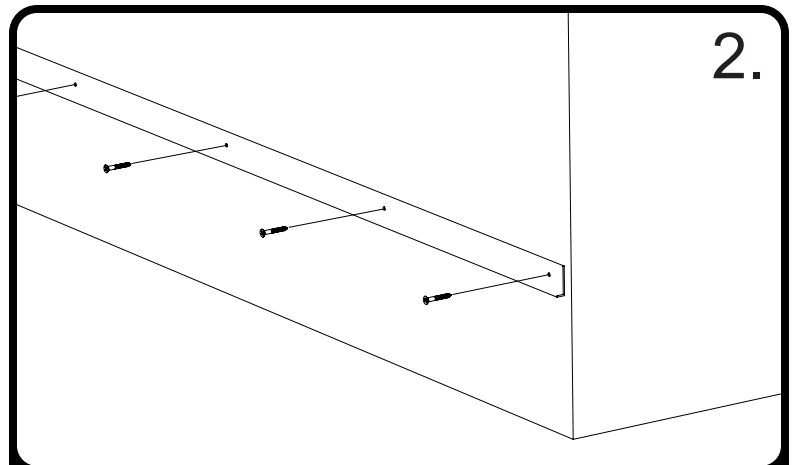
Make sure every connector is secured to the wall using fasteners (obtain locally) that meet local building codes and are appropriate to the type of wall construction.

For wall switches, electrical outlets or any other cutout situation, please contact Stylmark for more information.

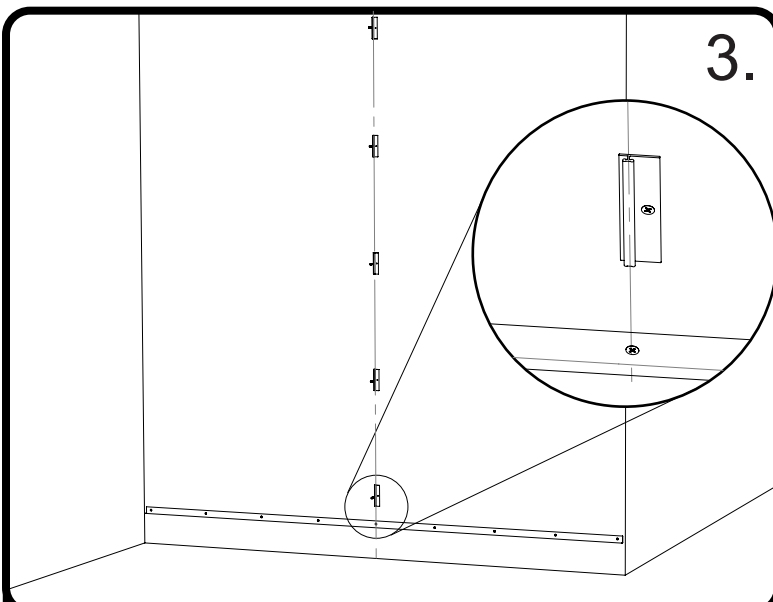
CONNECTORS



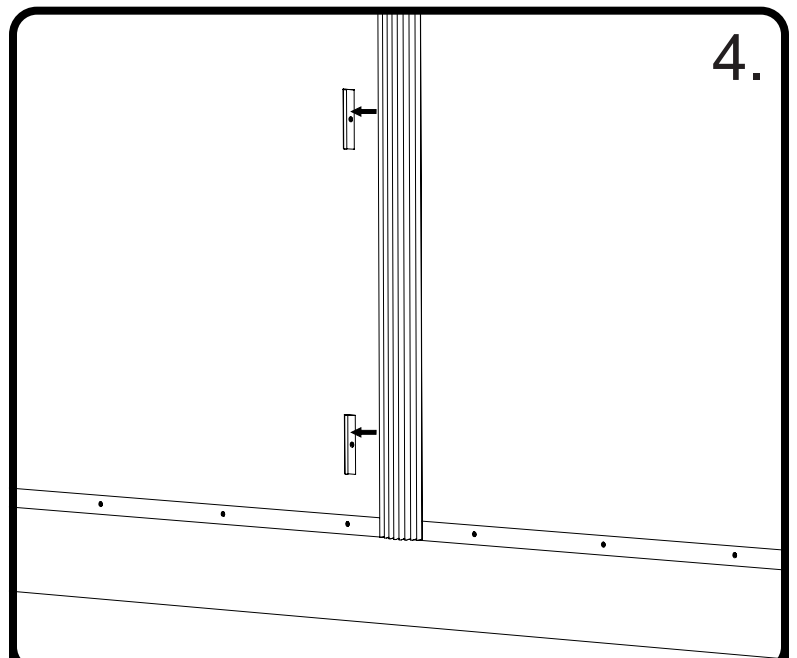
Draw a vertical line at the midpoint of the wall.



If the AXIA panels will not rest directly on the floor or a baseboard, install an angle to support the AXIA panels.

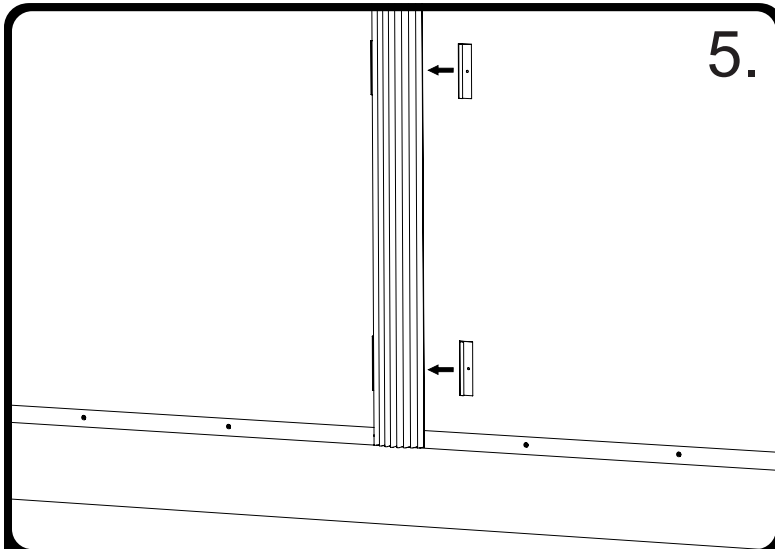


Using the vertical line as reference, install Intermediate Connectors as shown. Connectors should be installed 3-4" inches from each end of the AXIA panel and approximately 30-36" apart.



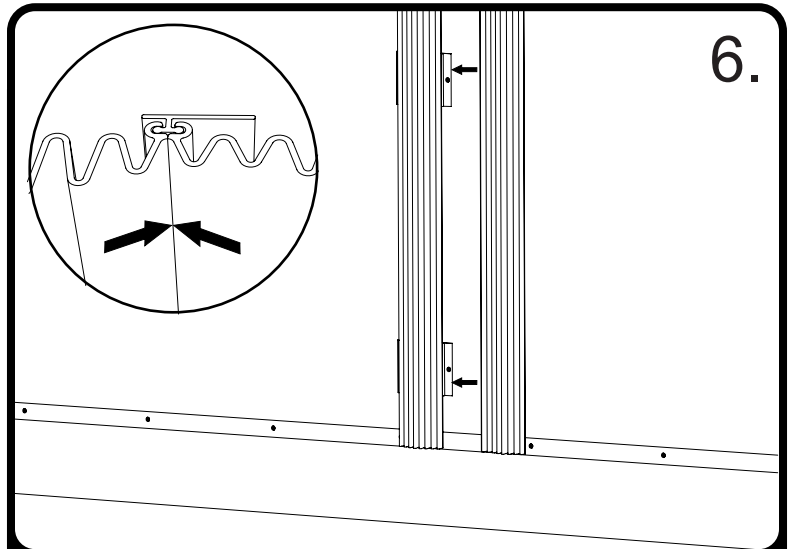
Slide AXIA panel tightly against the connectors.

AXIA INSTALLATION INSTRUCTIONS



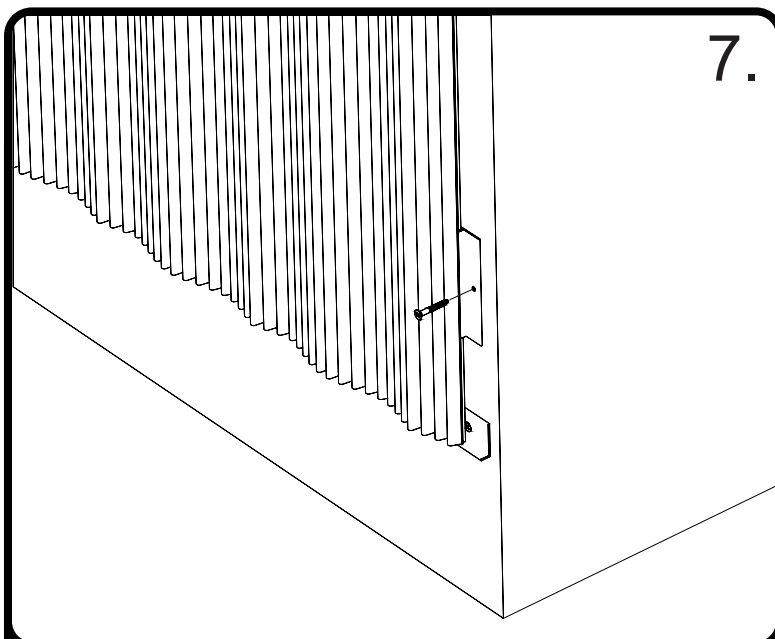
5.

Secure the AXIA panel in place using Intermediate connectors. Make sure there is a tight fit between the connector and the panel before fastening the connector to the wall.



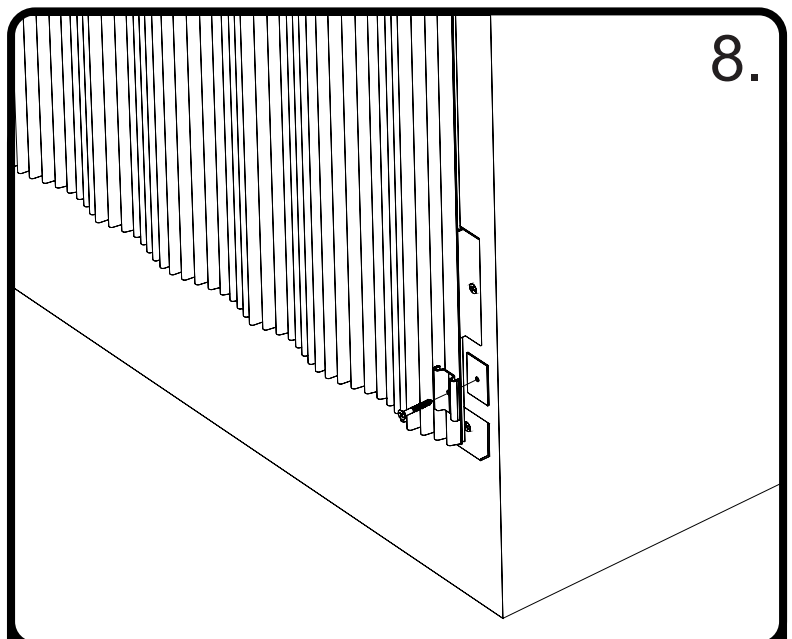
6.

Repeat steps 4 and 5 as necessary to install additional panels.



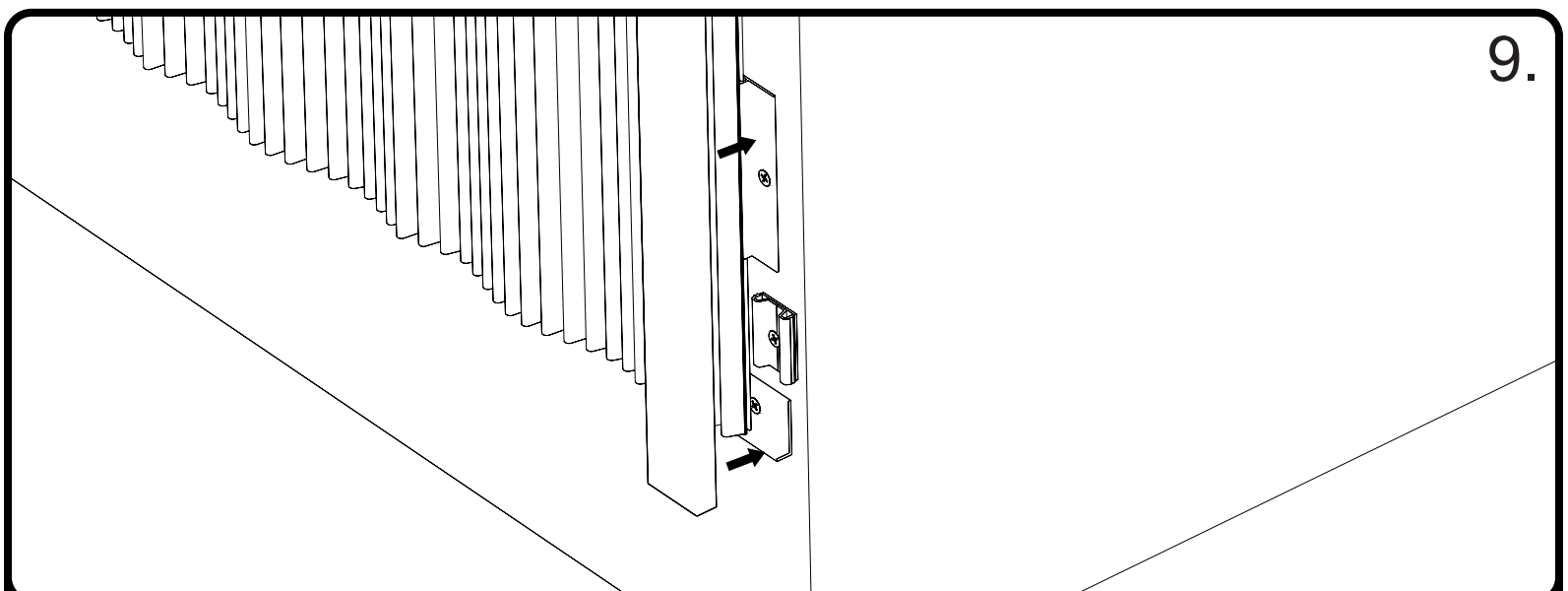
7.

To secure last panel, use the End Connectors.



8.

Fill open gap on each end using Stylmark TrimMaker. Install plastic base clips and spacers 3-4" inches from each end and approximately 30-36" apart.



9.

Snap TrimMaker extrusion in place. Call Stylmark if you have any questions or need more instructions.