



## Data Sheet

# Porsa™ Framing System



**General Description:** The Porsa™ Framing System from Stylmark is an intuitive modular system that allows great flexibility – the extrusions and in-fill panels can be reconfigured, changed and moved at a much lower cost than permanent walls or fixtures. The AluClip connector system joins sections using a simple Hex Key. Porsa can be curved to meet specific radius requirements.



- Porsa Series 19 accepts 11/32" (8.731mm) thick in-fill panels (nominally), making it the perfect solution for graphic displays and graphic rings.
- Porsa Series 25 accepts a 1/2" (12.700mm) thick in-fill panel (nominally), making it the perfect solution for merchandising systems, wall units and store-within-a-store applications.

**Applications:** Office cubical systems, store-with-in-a-store systems, graphic rings, graphic framing systems and overhead signage systems

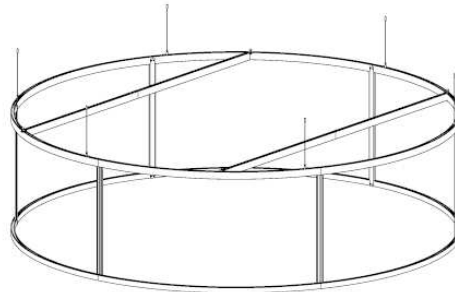
**Material:** Anodized aluminum

**Anodized Finish:** See Stylmark color library

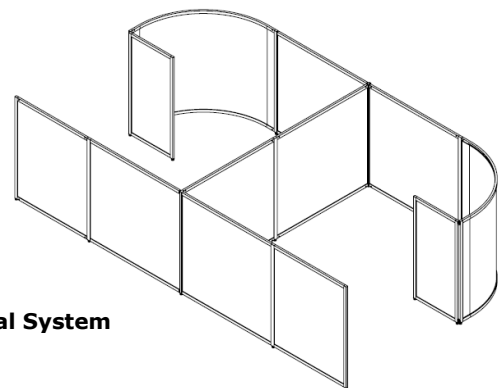
**Profiles:** See page 2 of data sheet

**Porsa 19 Endcaps:** Black plastic

**Porsa 25 Endcaps:** Anodized aluminum, black plastic or silver plastic



**Graphic Ring**



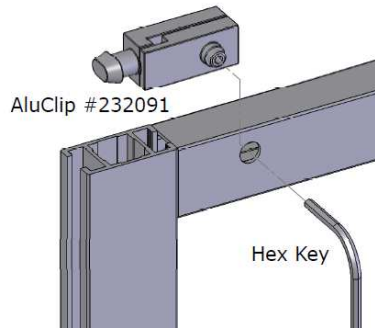
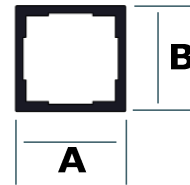
**Cubical System**

In order to continually improve our products, Stylmark reserves the right to make changes to specifications or materials without prior notice.

Sheet# 971732  
Revision B (7/12)

# Porsa™ Series 19

Part #	A	B	Endcap Number
190127	.748"	.748"	241054
190128	.748"	1.063"	241055
190129	.748"	1.378"	241056
190130	.748"	1.969"	N/A
190131	1.063"	1.063"	241057
190132	1.063"	1.378"	241058
190133	1.378"	1.375"	241059



**Porsa 19 Profiles**

#190127 #190128 #190129\* #190130\*

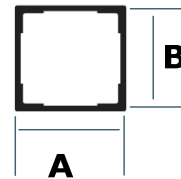
#190131\* #190132\* #190133\*

Drawings are not to scale

\* Available for programs only. Please speak to a Stylmark representative to discuss including Porsa 19 in your next program.

# Porsa™ Series 25

Part #	A	B	Endcap Number
190001	1"	1"	N/A
190003	1"	1"	N/A
190007	2 5/8"	1"	N/A
190014	1"	1"	N/A
190015	1"	1"	241015
190019	1"	1 1/2"	241014
190022	2"	2"	241038
190023	1"	2"	241001
190026	1"	2"	241004



**Porsa 25 Profiles**

#190001 #190003 #190007 #190019

#190014 #190015 #190022 #190023 #190026

Drawings are not to scale