



# Data Sheet

## Flexis® DisplayMaker Shelving System



**General Description:** The Flexis® DisplayMaker is a new wall merchandising system developed by Stylmark. At the core of Flexis is a low-voltage powered standard system which enables users to create a variety of merchandising solutions by adding LED shelves, lit mirrors or just about anything else that operates on a 24VDC input. Stylmark provides all hardware and electrical components for a finished assembly.

**Applications:** Retail shelving units, wall displays, gondolas

**Performance Specifications:**

**Color Temperature (typical):**  
**Lumens/foot (LED Light P/N 242071)**

White	Warm White
4000K	3000K
440	440

**Light Angle:** 110°  
**Lamp Life:** 70% lumen maintenance after 50,000 hours of continuous power

**System Construction Specifications:**

**Shelf Standards**

**Material:** Anodized aluminum  
**Sizes:** Configurable in 18" to 108" heights  
**Finishes:** Stylmark anodized finishes

**Flexis Shelf Model 684308**

**Shelving Material:** Anodized Aluminum  
**Shelf Bracket Material:** Stainless Steel  
**Sizes:** Configurable in 12" to 48" widths  
Configurable in 6" to 12" depths  
35 lbs. maximum  
**Finishes:** Stylmark anodized finishes

**Flexis Shelf Model 684328**

**Shelving Material:** Anodized Aluminum  
**Shelf Bracket Material:** Stainless Steel  
**Sizes:** Configurable in 12" to 48" widths  
Configurable in 6" to 16" depths  
35 lbs. maximum  
**Finishes:** Stylmark anodized finishes

**Flexis Shelf Model 684348**

**Shelving Material:** Anodized Aluminum  
**Shelf Bracket Material:** Stainless Steel  
**Sizes:** Configurable in 12" to 48" widths  
Configurable in 6" to 16" depths  
35 lbs. maximum  
**Finishes:** Stylmark anodized finishes

**Environmental Specifications:**

**Protection Rating:** For indoor use only – Dry locations  
**Temperature Range:** 40 to 104°F (4 to 40°C)

**Power Specifications:**

**Voltage Requirement:** 90~305 VAC, 47~63 Hz  
**Power Consumption:** 3.75 W per foot  
**LED Power Circuit Sizing<sup>1</sup>:** 24VDC, 96W supplies

<sup>1</sup> LED power supply kit, provided by Stylmark, is required



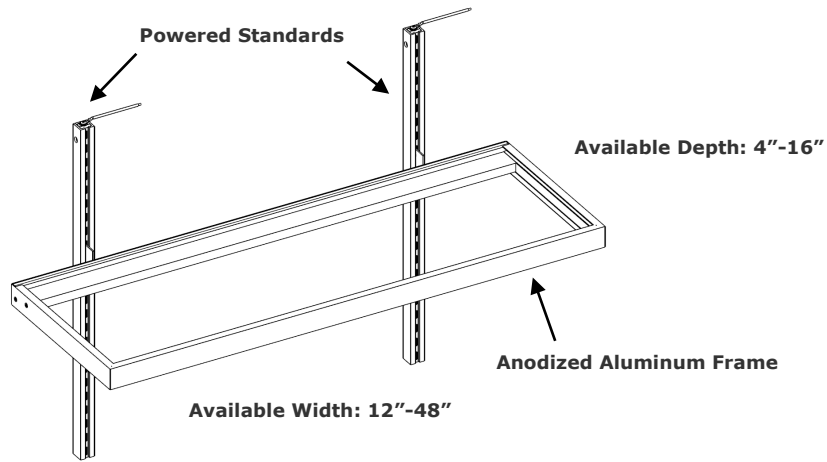
File No. E181509

Standard for Safety Household and Commercial Furnishing,  
UL 962, 4<sup>th</sup> Ed., 11/07/14

General Requirements – Canadian Electrical Code, Part II,  
CSA C22.2 NO 0-10

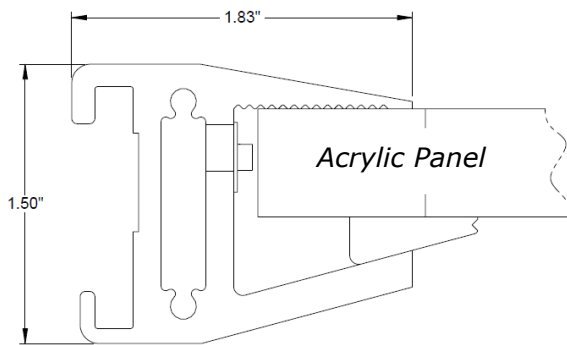
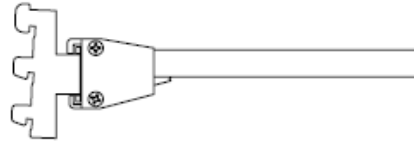
# Stylmark Data Sheet: Flexis® DisplayMaker – Shelving System

## Product Illustrations and Dimensions

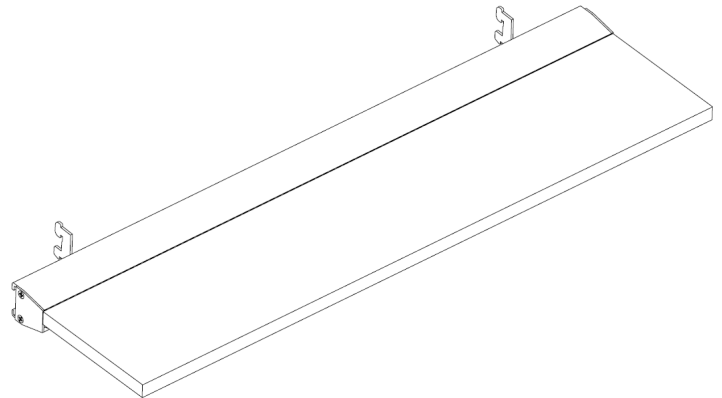


### Flexis Shelf Model 684308

- Available with or without LED UL Listed Light
- Shelf designed to accept acrylic panels



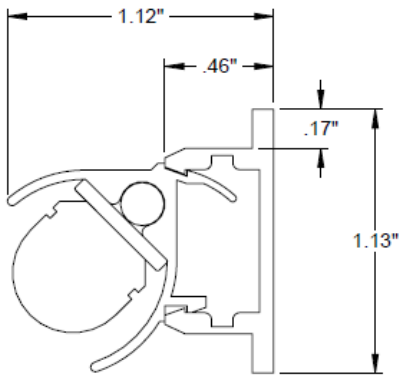
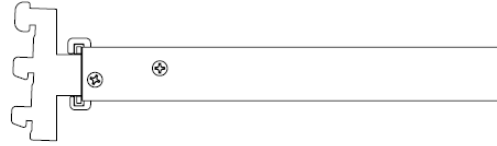
**Shelf Back**



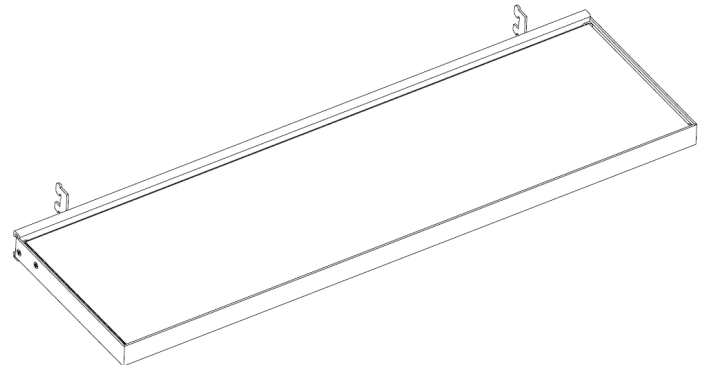
# Stylmark Data Sheet: Flexis® DisplayMaker – Shelving System

## Flexis Shelf Model 684328

- Available with or without UL Listed LED Light
- Shelf accommodates (shelving provided by Stylmark or others):
  - Glass
  - Wood
  - Acrylic

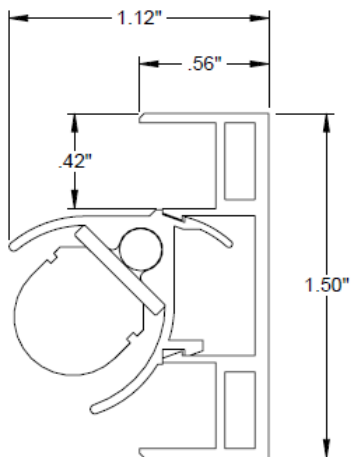
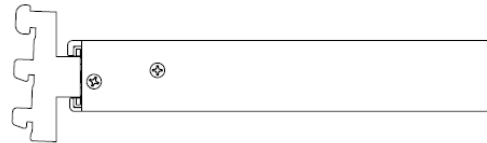


**Shelf Front**

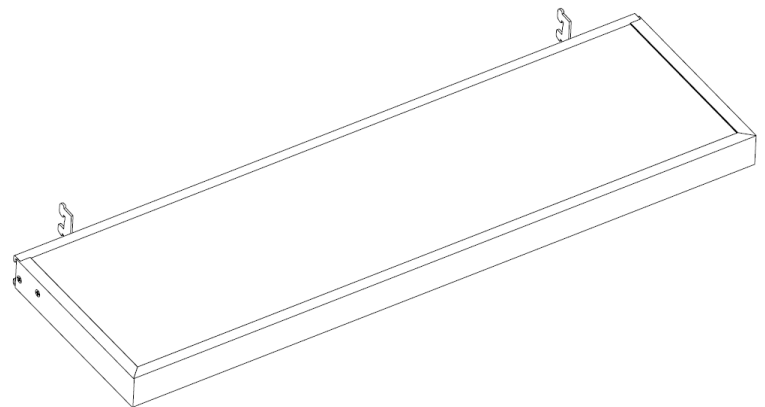


## Flexis Shelf Model 684348

- Available with or without UL Listed LED Light
- Shelf accommodates (shelving provided by Stylmark or others):
  - Glass
  - Wood
  - Acrylic

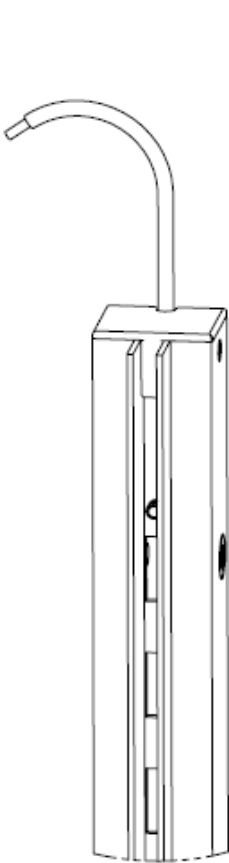


**Shelf Front**

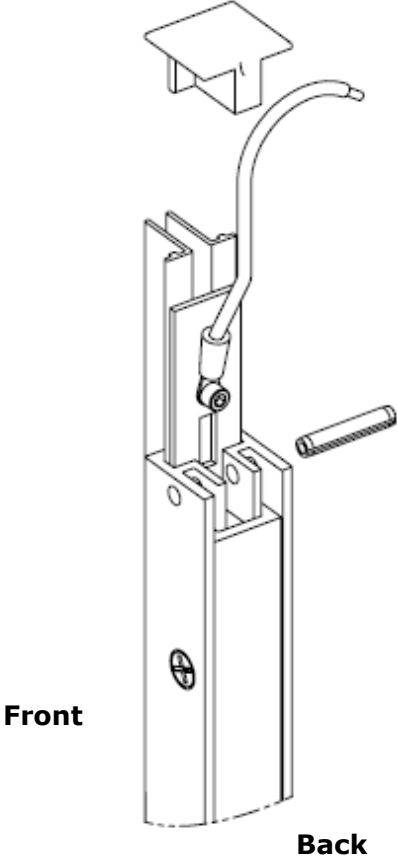


# Stylmark Data Sheet: Flexis® DisplayMaker – Shelving System

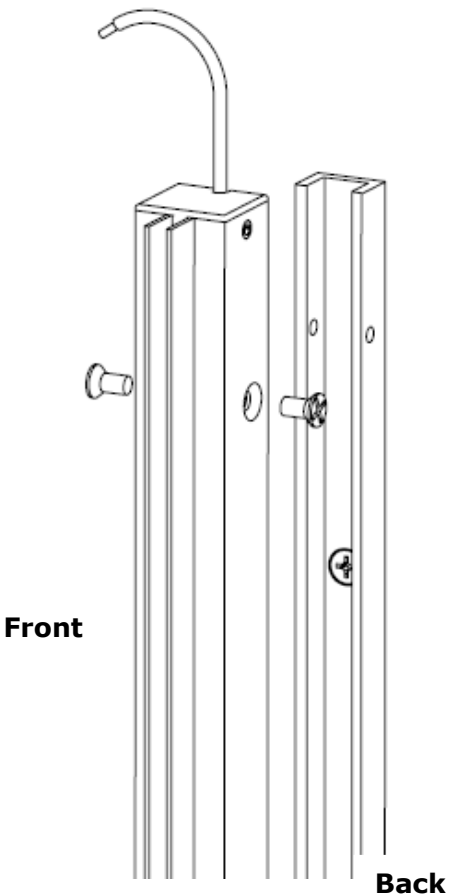
## Product Illustrations and Dimensions



**581100**



**581100 Exploded View**

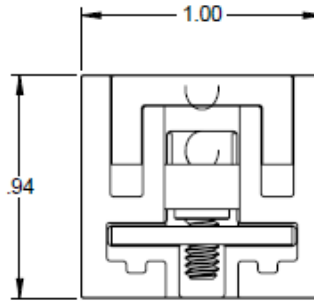
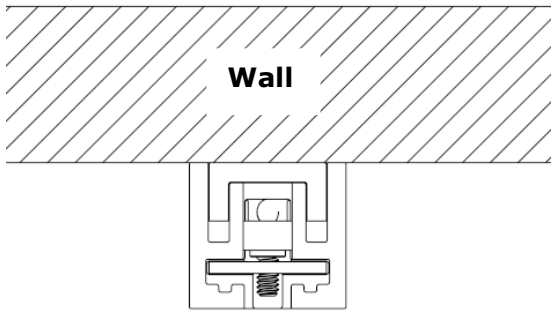


**581100 Front View with Mounting Channel**

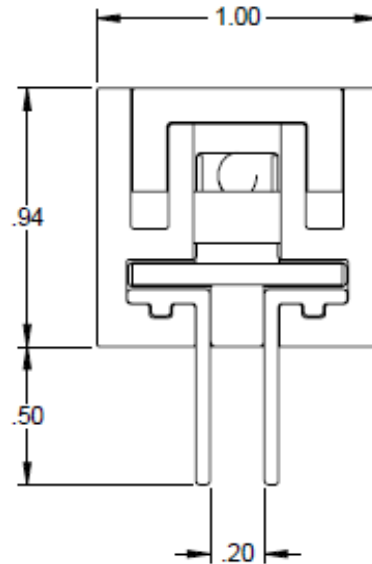
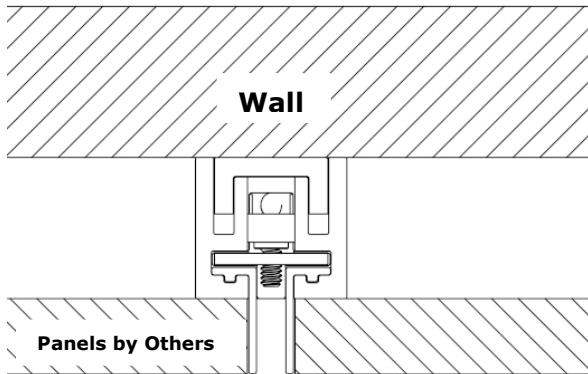
# Stylmark Data Sheet: Flexis® DisplayMaker – Shelving System

## Shelf Standards – Options

### 581099 – Surface Mount



### 581100 - Panel Mount with 1/2" Panel Edge



### 581100 - Panel Mount with 3/4" Panel Edge

