



Flexis™ DisplayMaker Shelving System

Data Sheet



General Description: The Flexis™ DisplayMaker is a new wall merchandising system developed by Stylmark. At the core of Flexis is a low-voltage powered standard system which enables users to create a variety of merchandising solutions by adding LED shelves, lit mirrors or just about anything else that operates on a 24VDC input. Stylmark provides all hardware and electrical components for a finished assembly.

Applications: Retail shelving units, wall displays, gondolas

Performance Specifications:

Color Temperature (typical):
Lumens/foot (LED Light P/N 242071)

White	Warm White
4000K	3000K
440	440

Light Angle: 110°
Lamp Life: 70% lumen maintenance after 50,000 hours of continuous power

System Construction Specifications:

Shelf Standards

Material: Anodized aluminum
Sizes: Configurable in 18" to 108" heights
Finishes: Stylmark anodized finishes

Flexis Shelf Model 684308

Shelving Material: Anodized Aluminum
Shelf Bracket Material: Stainless Steel
Sizes: Configurable in 12" to 48" widths
Configurable in 6" to 12" depths
35 lbs. maximum
Shelf Load:
Finishes: Stylmark anodized finishes

Flexis Shelf Model 684328

Shelving Material: Anodized Aluminum
Shelf Bracket Material: Stainless Steel
Sizes: Configurable in 12" to 48" widths
Configurable in 6" to 16" depths
35 lbs. maximum
Shelf Load:
Finishes: Stylmark anodized finishes

Flexis Shelf Model 684348

Shelving Material: Anodized Aluminum
Shelf Bracket Material: Stainless Steel
Sizes: Configurable in 12" to 48" widths
Configurable in 6" to 16" depths
35 lbs. maximum
Shelf Load:
Finishes: Stylmark anodized finishes

Environmental Specifications:

Protection Rating: For indoor use only – Dry locations
Temperature Range: 40 to 104°F (4 to 40°C)

Power Specifications:

Voltage Requirement: 90~305 VAC, 47~63 Hz
Power Consumption: 3.75 W per foot
LED Power Circuit Sizing¹: 24VDC, 96W supplies

¹ LED power supply kit, provided by Stylmark, is required



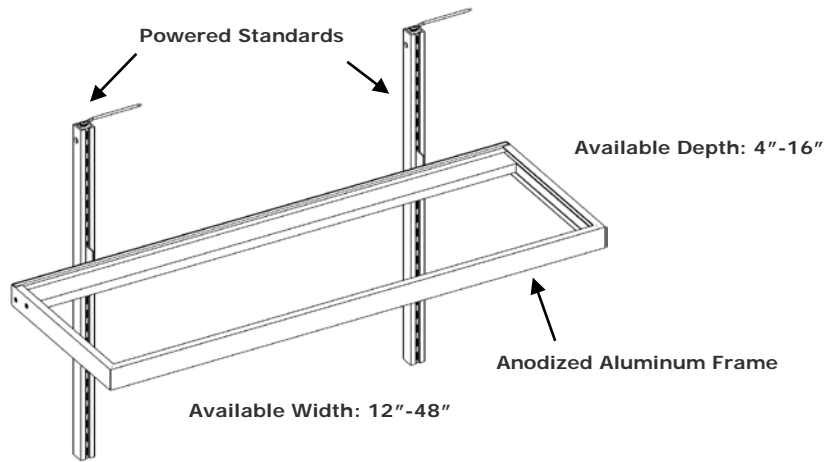
File No. E181509

Standard for Safety Household and Commercial Furnishing,
UL 962, 4th Ed., 11/07/14

General Requirements – Canadian Electrical Code, Part II,
CSA C22.2 NO 0-10

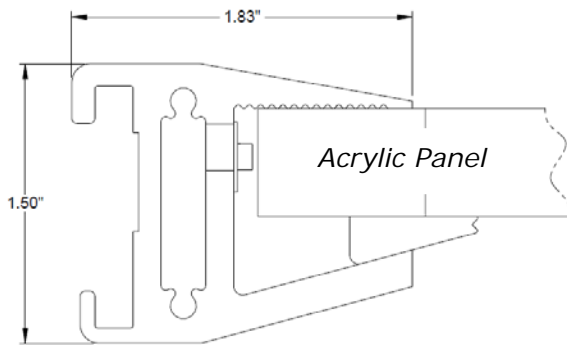
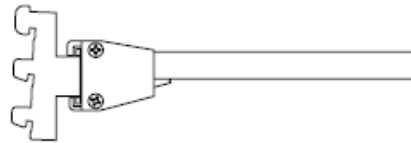
Stylmark Data Sheet: Flexis™ DisplayMaker – Shelving System

Product Illustrations and Dimensions

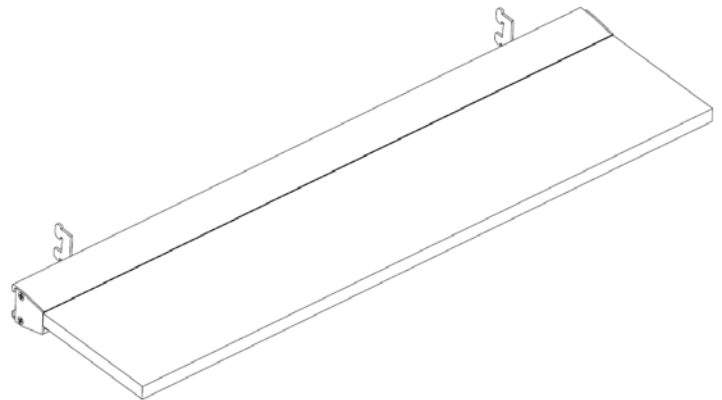


Flexis Shelf Model 684308

- Available with or without LED UL Listed Light
- Shelf designed to accept acrylic panels



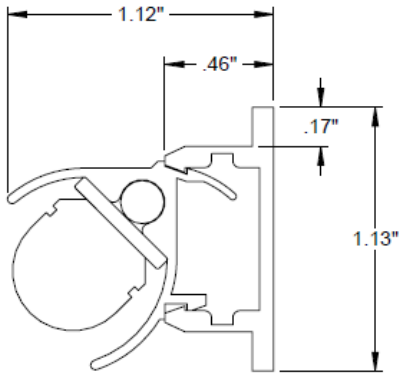
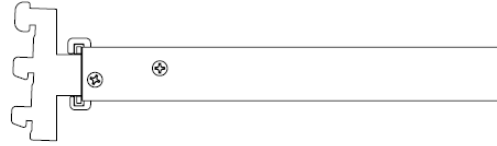
Shelf Back



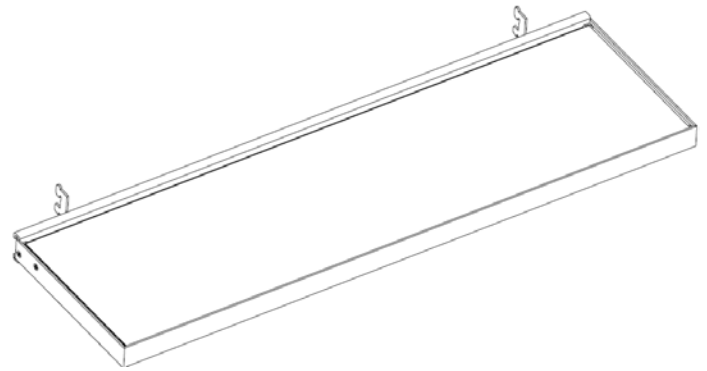
Stylmark Data Sheet: Flexis™ DisplayMaker – Shelving System

Flexis Shelf Model 684328

- Available with or without UL Listed LED Light
- Shelf accommodates (shelving provided by Stylmark or others):
 - Glass
 - Wood
 - Acrylic

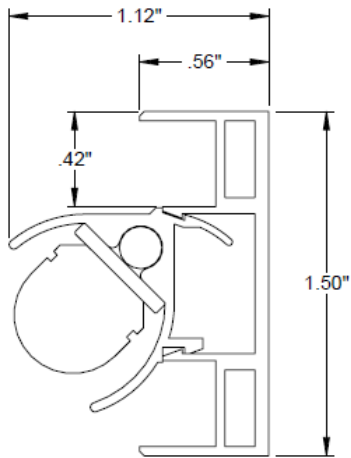
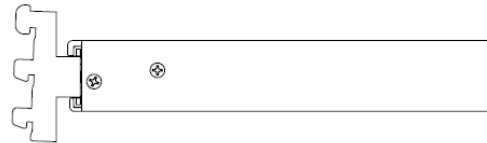


Shelf Front

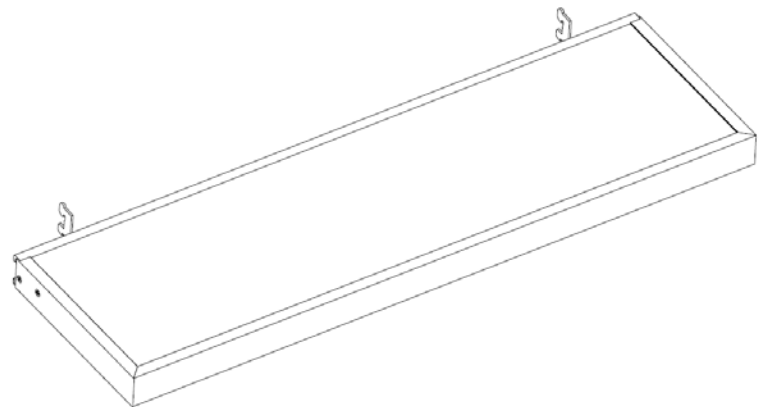


Flexis Shelf Model 684348

- Available with or without UL Listed LED Light
- Shelf accommodates (shelving provided by Stylmark or others):
 - Glass
 - Wood
 - Acrylic

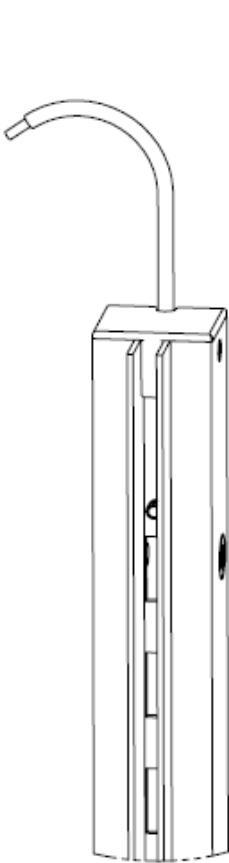


Shelf Front

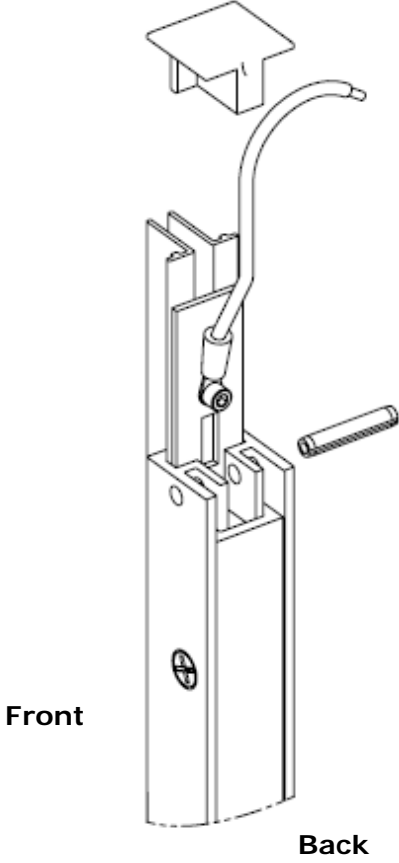


Stylmark Data Sheet: Flexis™ DisplayMaker – Shelving System

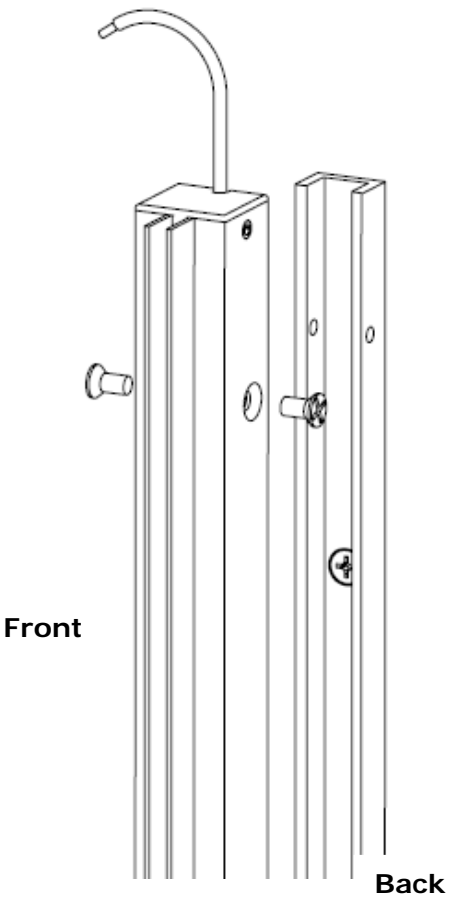
Product Illustrations and Dimensions



581100



581100 Exploded View

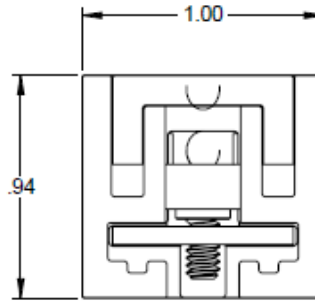
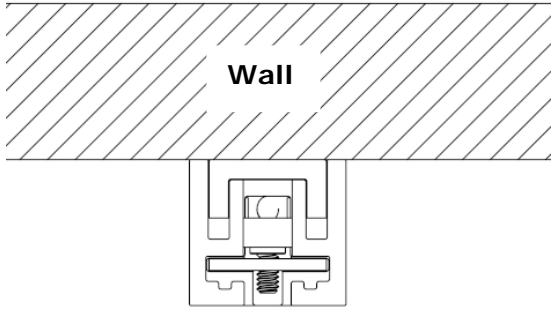


581100 Front View with Mounting Channel

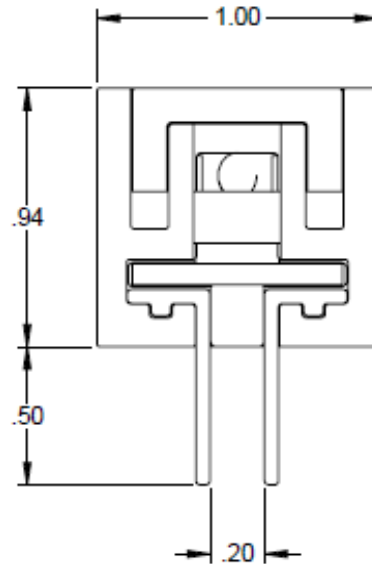
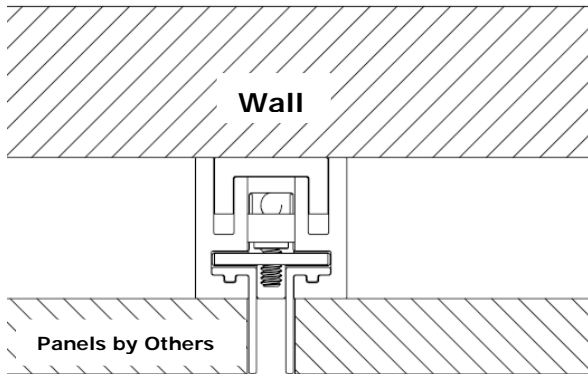
Stylmark Data Sheet: Flexis™ DisplayMaker – Shelving System

Shelf Standards – Options

581099 – Surface Mount



581100 - Panel Mount with 1/2" Panel Edge



581100 - Panel Mount with 3/4" Panel Edge

