



Data Sheet

680108 LED Showcase Reflector



E257056

Low Voltage Lighting System,
UL 2108

Canadian Standard for General Requirements for
Luminaire, CSA C22.2 No. 9.0

LED Light Sources for Use in Lighting Products,
UL 8750

The aluminum reflector of the LED light fixture is fabricated to match custom dimensions. As the aluminum reflector also includes mounting hardware, the LED light assembly length will be less than the length of the aluminum reflector. Stylmark will configure the LED light assembly length to optimize the available space using Stylmark's LED light engine modules. Please consult Stylmark for information specific to your order.

In order to continually improve our products, Stylmark reserves the right to make changes to specifications or materials without prior notice.

General Description: The Stylmark 680108 Showcase Reflector with Modular Light Engine is designed for commercial showcase displays. The 680108 incorporates Stylmark LED lighting into traditional 110135 reflector profile. Available in a variety of colors and finishes, the 680108 can be mounted in wood end showcases using mounting brackets or in glass end showcases using down tube assemblies. Stylmark provides all hardware and electrical components for a finished assembly.

Performance Specifications:

Chromaticity¹:
Nominal CCT Categories

Cool	White	Warm
5000K	4000K	3500K

Illuminance (fc @ 12")²:
Deluxe Light Engine:
Premium Light Engine:

300	260	240
450	370	370

Source³:
Fixture Light Angle:
Lamp Life:

1W, Nichia LED
90°
70% lumen maintenance after 50,000 hours of continuous power on.

Construction Specifications:

Materials:
Sizes:
Styles:
Finishes:
Surface Temperature⁴:
Mounting Options:

Anodized Aluminum
Configurable (9" to 100" lengths)
Straight, Single Clipped, Double Clipped
see Stylmark Color Library
105°F (40°C) max.

- Fixed Angle Mount Bracket
- Fixed Angle Down Tube⁵
- Optional Cover Tees
 - 110107
 - 110127
 - 110137
 - 110192

Environmental Specifications:

Protection Rating:
Temperature Range:
Power Specifications⁶:

For indoor use only – Dry locations
40 to 104°F (4 to 40°C)

Input Voltage Requirement:
Power Consumption (typical):
MIG24 Deluxe Light Engine:
MIG24 Premium Light Engine:

90–264Vac, 47–63 Hz
4.8 W per foot
9.2 W per foot

¹Nominal CCT Categories per ANSI/NEMA/ANSI C78.377-2008 Specifications for the Chromaticity of Solid-State Lighting Products

²Measurements taken at midpoint of a 3' fixture, 12" above showcase deck, with Konica Minolta Chroma Meter CL-200.

³Premium Light Engine: 12 LED/ft, Deluxe Light Engine: 6 LED/ft

⁴Measured at ambient temperature of 72°F (22°C)

⁵End Caps and down tube assembly will be finished to match reflector

⁶LED power supply/driver, provided by Stylmark, is required

Stylmark Data Sheet: 680108 LED Showcase Reflector

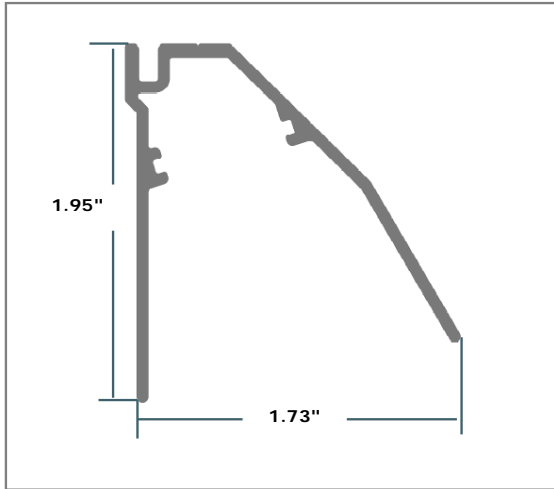
Identification:

- 680108 – Straight Reflector
- 680128 – Single Clipped Reflector
- 680138 – Double Clipped Reflector

Typical Specification:

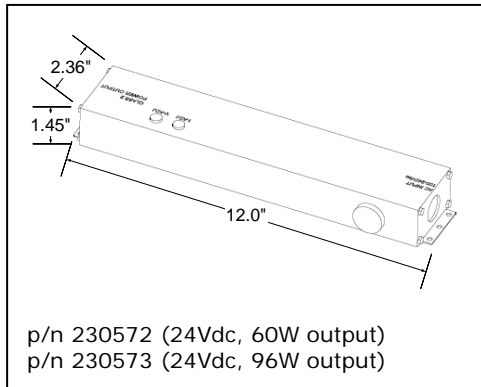
Showcase Reflector housing shall be constructed of anodized aluminum and shall be capable of being mounted either in wood end showcases using mounting brackets or in glass end showcases using rigid down tubes. Showcase Reflector light source shall be an array of 1 W Nichia LEDs. Showcase Reflector LED shall provide a light cone angle of 90°. Showcase Reflector shall be available in Nominal CCT Categories options of 5000K, 4000K or 3500K (per ANSI_NEMA_ANSLG C78.377-2008). Showcase Reflector housing surface temperature shall not exceed 105°F (40°C). Showcase Reflector manufacturer shall provide all hardware and electrical components, including LED power supply kit, for finished assembly. Showcase Reflector shall be by Stylmark, Inc.

Product Illustrations and Dimensions



Power Supply Options

Part number of power supply supplied depends upon the number of LEDs in circuit. Verify power supply configuration with Stylmark.



Mounting Options

