



Signage

LED Light Boxes and Tension Fabric Displays

Stylmark continues to add to our lighted signage products & graphic display capabilities. Stylmark's graphic solutions product line includes a broad offering of backlit displays and light boxes, edge-lit displays, and frameless fabric displays.

Transparency Frames

Stylmark aluminum transparency frames hold graphics between two glazing panels and can be backlit to dramatically highlight your product or message.

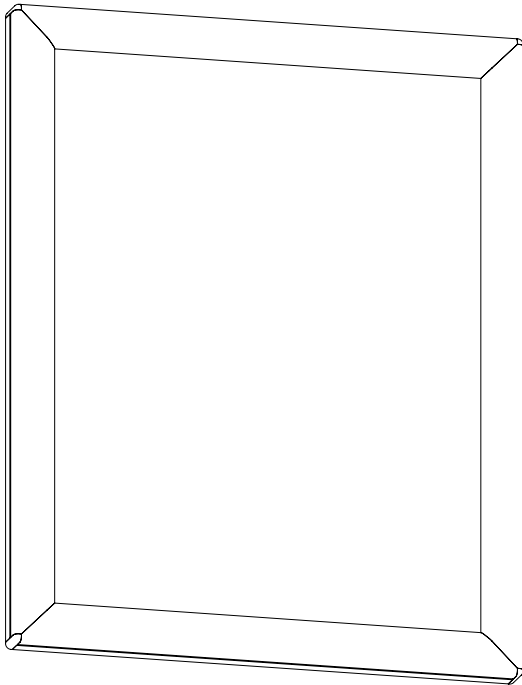
Optima LED Light Boxes	2
Tension Fabric LED Light Boxes	5
Non-Lit StretchFrame TFD	7
Heavy Duty Hinged Door	9
Transparency Frames	11
Stationary Frames	13
Face Frames	14
Hardware and Accessories	15

LED Edge-Lit Light Boxes

Optima 300 LED® Edge-Lit Light Box

Front-Loading Graphic with Four-Sided Snap Frame - Wall-Mount

The Optima 300 LED® Edge-Lit Light Box is designed as an economical LED edge-lit light box, available in many of the standard graphic sizes.



Optima 300 indoor light box options include:

- Advanced mechanically etched panel provides uniform illumination
- ADA Compliant - < 1" depth from wall (single-sided unit)
- Standard mitered corners with a corner insert
- Snap frame opens on all four sides for easy graphic access
- Units can be wall mounted or suspended from the ceiling (specify when ordering)
- Available stocked in four sizes
- Custom size and double-sided units are available upon request
- Standard satin natural anodized finish (black anodized finish available upon request)

Single-sided Size Range

- 72" (1829mm) x 120" (3048mm)

Double-sided Size Range

- 48" (1219mm) x 96" (2438)

Cabinet size

- Add 7/8" (22mm) to graphic size in each dimension

Visual Size

- Subtract 1-1/8" (29mm) from graphic size in each dimension

Graphic Size

- Light boxes are nominally sized from graphic size

Depth

- Single-sided: 20.78" (20mm)
- Double-sided: 1.60" (41mm)

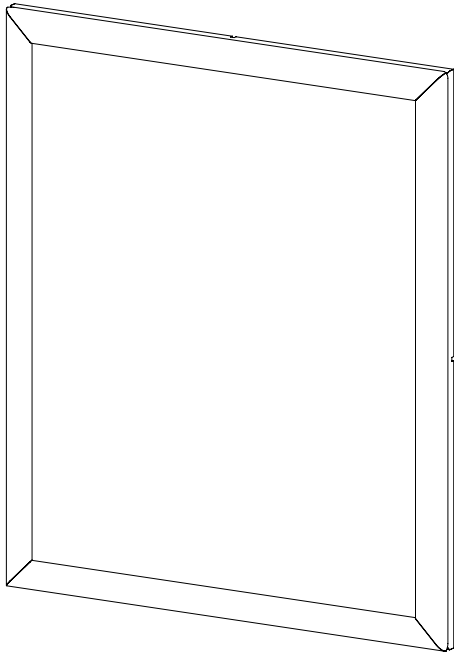
- Notes:**
- Graphics not included.
 - For interior use only.
 - Optima 300 LED® is UL Listed to US and Canadian safety standards.

LED Edge-Lit Light Boxes

Optima 450 LED® Edge-Lit Light Box

Front-Loading Graphic with Four-Sided Snap Frame - Wall-Mount

The Optima 450 LED® Edge-Lit Light Box is designed to be the industry's brightest LED edge-lit light box while being the most customizable offering of its kind in the industry.



The Optima 450 LED® Edge-Lit Light Box incorporates several features including:

- State-of-the-art LED lighting for brightest output
- Advanced laser etched panel design provides even illumination
- Mitered corner PrintFrame™ makes changing graphics a snap
- Thin profile - < 1" depth from wall (single-sided unit)
- Available stocked in four sizes
- Custom size and double-sided units are available upon request
- Units can be wall mounted, ceiling suspended, pedestal mount or add feet for a tabletop display (specify when ordering)
- Available in Stylmark's standard anodized finishes (custom anodized finishes available upon request)
- Units available with external power supplies or with internal power supplies

Minimum Size Range

- 8" (203mm) x 8" (203mm) - external power supply
- 12" (304mm) x 19" (483mm) - internal power supply

Maximum Size Range

- 48" (1219mm) x 96" (2438mm) - all types

Cabinet size

- Add 1.60" (40mm) to graphic size in each dimension

mension

Graphic Size

- Light boxes are nominally sized from graphic size

Depth

- Single-sided: 0.97" (25mm) - external
- Single-sided: 2-3/16" (55mm) - internal
 - Double-sided: 3-5/32" (80mm)

Visual Size

- Subtract 1.60" (40mm) from graphic size in each di-

Notes:

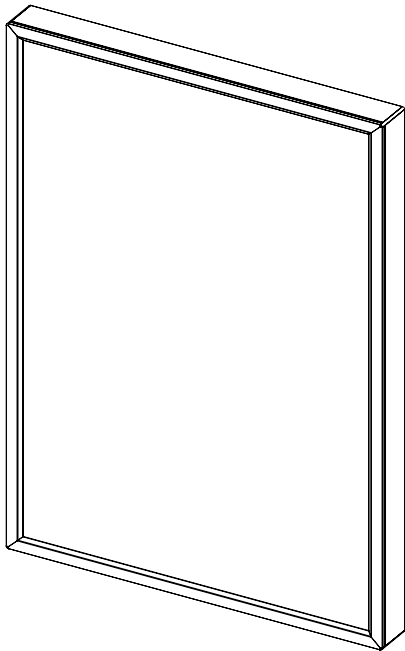
- Graphics not included.
- For interior use only.
- Optima 450 LED® is UL Listed to US and Canadian safety standards.

LED Backlit Light Boxes

Optima 1000 LED® Backlit Light Box

Front-Loading Graphic with Four-Sided Snap Frame - Wall-Mount

Presenting images in their best possible light helps create unique & vivid brand experiences that today's customers demand. The best light comes from the Optima 1000 LED Backlit Light Box, combining the brightness of fluorescent with the benefits of LED. The Optima 1000 Backlit Light Box provides maximum impact by making every inch of the graphic it displays equally illuminated. Yet, it costs less to operate than fluorescents, requires less maintenance and is better for the environment.



Optima 1000 LED® Backlit Light Box features include:

- Bright, uniform illumination throughout the display
- ADA Compliant - < 2.50" depth from wall (single-sided unit)
- Standard mitered corners with a corner insert
- Designed to be integrated with Stylmark fixtures to create custom display systems
- Snap frame features a tool-free open & closing system, allowing for easy graphic access
- Available stocked in four sizes
- Units can be wall mounted, ceiling suspended, pedestal mount or add feet for a tabletop display (specify when ordering)
- Available in Stylmark's standard anodized finishes (custom anodized finishes available upon request)

Minimum Size Range

- 13" (330mm) x 13" (330mm)

Maximum Size Range

- 48" (1219mm) x 96" (2438mm)

Cabinet size

- Add ~1.125" (29mm) to graphic size in each dimension

Visual Size

- Subtract ~1.25" (31.72mm) from graphic size in each dimension

Graphic Size

- Light boxes are nominally sized from graphic size

Depth

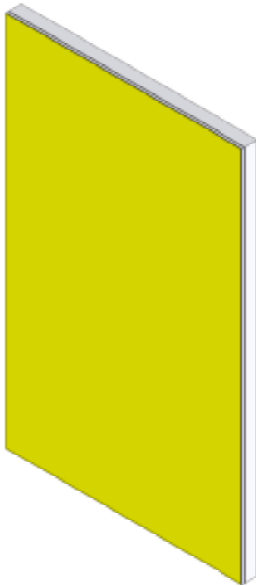
- Single-sided: 2-5/8" (67mm)
- Double-sided: 5-5/8" (143mm)

- Notes:**
- Graphics not included.
 - For interior use only.
 - Optima 1000 LED® is UL Listed to US and Canadian safety standards.

LED Backlit Light Boxes

Optima LED® StretchLite 4" Deep Single-Sided

Meeting retail demands for high-impact environments, Stylmark introduces the Optima LED StretchLite Backlit Light Box to create arresting and compelling merchandise displays with tension-fabric graphics. The newest addition to Stylmark's family of Optima LED light boxes, the Optima LED StretchLite combines the brilliance and uniformity of backlit LED technology with the dramatic dimensions of tension fabric displays to help retailers, designers and visual merchandisers achieve unrivaled visual impact.



Optima LED® StretchLite Backlit Light Box features include:

- Uniform illumination throughout the display
- Three LED lighting options:
 - Optima LED 1000 Backlit
 - Optima LED 650 Backlit
 - Optima LED Perimeter-Lit
- ADA Compliant: < 4.00" depth from wall (single-sided unit)
- Frameless appearance: frames measure less than 0.075"
- Single section signs available in conventional & custom sizes up to 48" x 120"
- Integrate with other Stylmark fixtures to create custom display systems
- Change graphics quickly and easily using silicone edge gasket (SEG) channel
- Multi-section configurations available (made up of multiple sections each up to 48" x 144")
- Units can be wall mounted or suspended from the ceiling (specify when ordering)

Graphic Size

- Light boxes are nominally sized from graphic size

Cabinet Size

- Same as graphic size

Depth

- Single-sided: 3.95" (100mm)

Visual Size

- Same as graphic size

Notes:

- Graphics not included.
- For interior use only.
- Optima LED® StretchLite is UL Listed to US and Canadian safety standards.

Perimeter LED-Lit Boxes

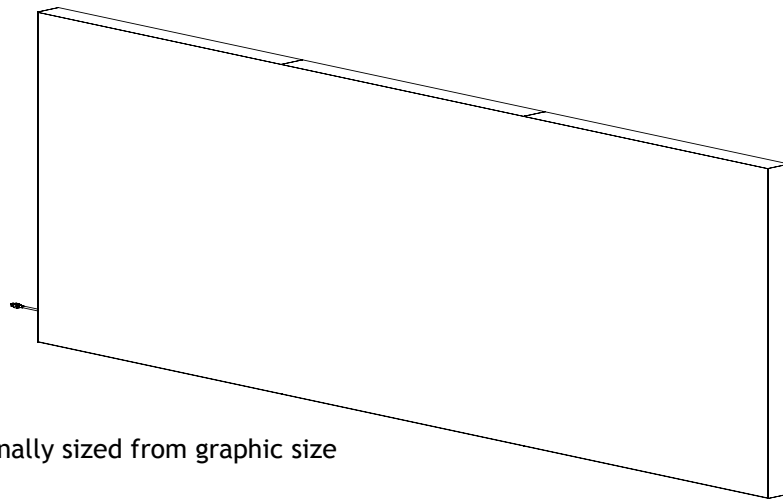
Optima LED® StretchLite

Double-Sided , 5” Deep (DS5) &

Double-Sided 8” Deep (DS8) Perimeter LED-Lit

Tension fabric displays that can accommodate graphics up to 30 feet

Taking advantage of Stylmark’s engineering expertise, the DS5 and DS8 open new avenues of creativity for fabric graphics. The large display area afforded by these units makes them impossible to miss at any angle. Both the DS5 and DS8 are pre-assembled to minimize field installation times and are available in Stylmark’s wide variety of anodized finishes. Both products feature a frameless appearance to keep the consumer’s attention focused on the imagery and message of the fabric graphic. The DS5 has a depth of 5 inches and is lit by perimeter LED modules for light box displays up to 6 feet by 30 feet. For light-box displays up to 10 feet by 30 feet, the DS8 is lit by dual rows of perimeter LED modules and has a depth of 8 inches.



Graphic Size

- Light boxes are nominally sized from graphic size
- DS5: 6’x30’ (max)
- DS8: 10’x30’ (max)

Cabinet size

- Same as graphic size

Depth

- DS5: 4.95” (125mm)
- DS8: 8.00” (203mm)

Visual Size

- Same as graphic size

Optima LED StretchLite DS5 & DS8 features include:

- Double-sided perimeter LED-lit
- Uniform backlit illumination throughout the display
- Frameless appearance: frames measure less than 0.075”
- Integrated with other Stylmark fixtures to create custom display systems
- Accommodates graphics up to 30ft
- Change graphics quickly and easily
- Electrical components are pre-assembled prior to shipping to minimize field installation times

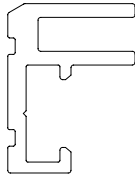
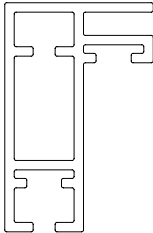
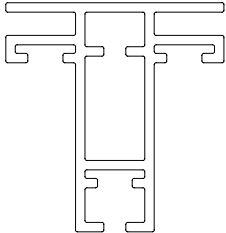
Notes:

- Graphics not included.
- For interior use only.
- Optima LED® StretchLite is UL Listed to US and Canadian safety standards.

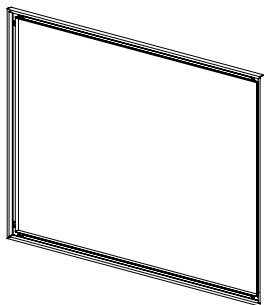
StretchFrame™

Non-lit Tension Fabric Display Frames

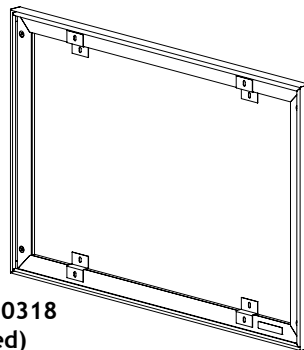
For a frameless appearance to signs and interior displays, Stylmark's offering of Tension Fabric Display (TFD) frames include non-lit options for single sided extra low-profile frames as well as for single and double sided low-profile frames to put the focus on the graphic, not the frame. Made from high quality anodized aluminum extrusions and easy-to-assemble connectors, StretchFrame™ make TFD frames easy & beautiful.

	Model #690123 Extra Low Profile	Model #690318 Low Profile	Model #690319 Low Profile
			
Depth	0.695" (17.6mm)	1.18" (30mm)	1.74" (44mm)
Application	Single-sided	Single-sided	Double-sided
Mounting	Wall Mount	Wall Mount	Hanging / Standing
Media	Tension Fabric w/ SEG	Tension Fabric w/ SEG	Tension Fabric w/ SEG
Maximum Size	96" x 96" (2.4 m x 2.4 m)	228" x 432" (5.8 m x 10.97 m)	288" x 432" (7.3 m x 10.97 m)
Connector	Steel Corners & Set Screws	Tension Lock	Tension Lock

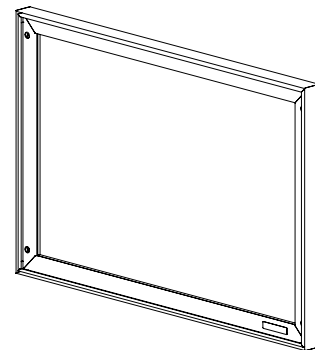
Finishes: Available in Stylmark's wide variety of anodized finish & color combinations to complement your interior décor.



Model # 690123
(single-sided)



Model # 690318
(single-sided)

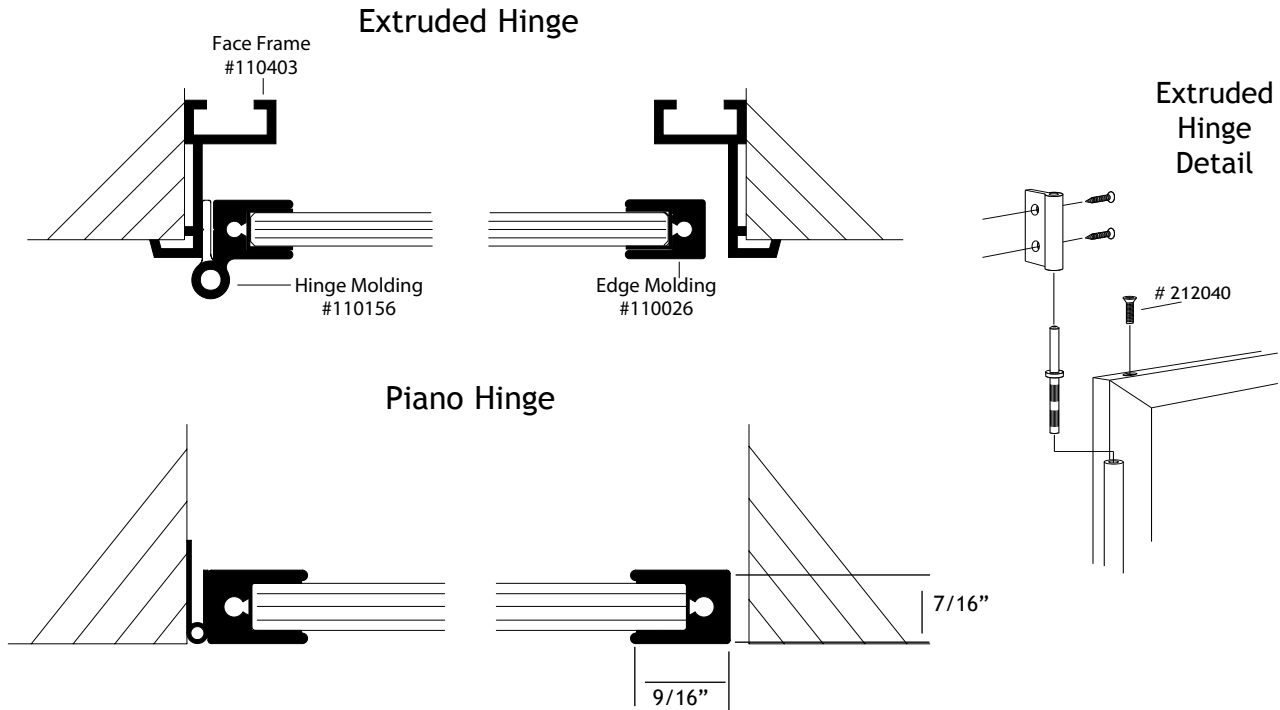
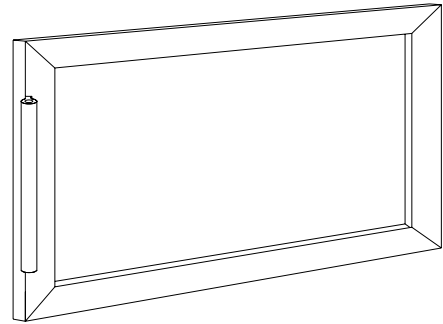


Model # 690319
(double-sided)

- Notes:**
- StretchFrame™ is custom sized per order
 - StretchFrame™ is shipped as knock-down kits
 - SEG - silicone edge gasket (1/2" x 1/8" (12.5" x 3mm)
 - Tension fabric graphics are supplied by others
 - For interior use only
 - Models 690318 & 690319 frames may include interior support as required

Standard Aluminum Hinged Door Frames

Stylmark's Aluminum Standard Hinged Door Frames hold a single panel of 1/4" thick panel. The frame is constructed with a small 9/16" edge molding, creating a virtually seamless hinge. Piano hinges are also available to accommodate larger sized door frames. Locks are not available. Standard hinged door frames can be used with our Face Frames (as shown on page 14) for an elegant visual display that captures viewers' attention quickly.



Size Limitations	Maximum Width	Maximum Height
Extruded Hinge	24"	48"
Piano Hinge	36"	96"

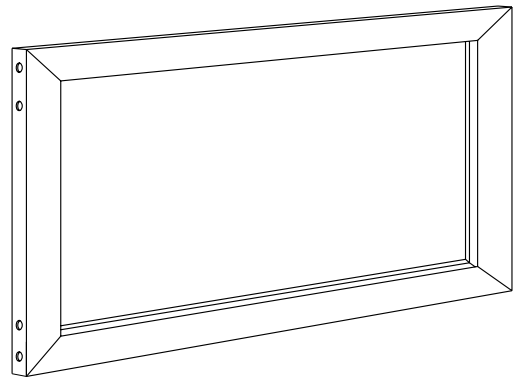
Standard Aluminum Hinged Door Frames

Model #	Description	Panel Thickness
610135	Frame with Extruded Hinge (no lock / no latch)	1/4"
610176	Frame with Piano Hinge (no lock / no latch)	1/4"

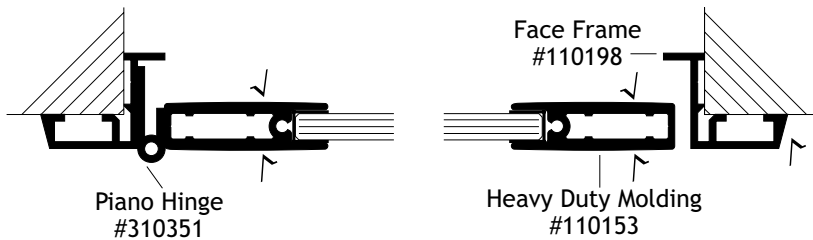
√ = finished surface

Heavy Duty Aluminum Hinged Door Frames

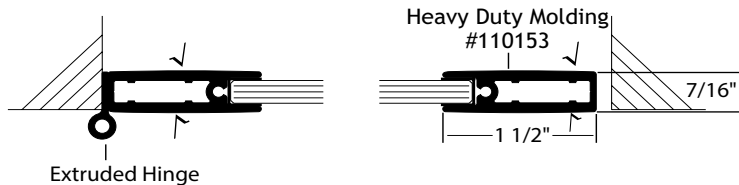
Heavy Duty Hinged Door Frames are designed for maximum durability. Recessed 5" steel corner brackets support mitered corners with ease. Piano hinges provide the extra strength larger openings require, while extruded hinges provide a clean, "invisible" look for smaller openings. This frame can be used with a Face Frame as shown on page 10, and you can choose from either a cam lock or push-release latch. Fabricated assemblies include glazing vinyl for a 1/4" thick panel.



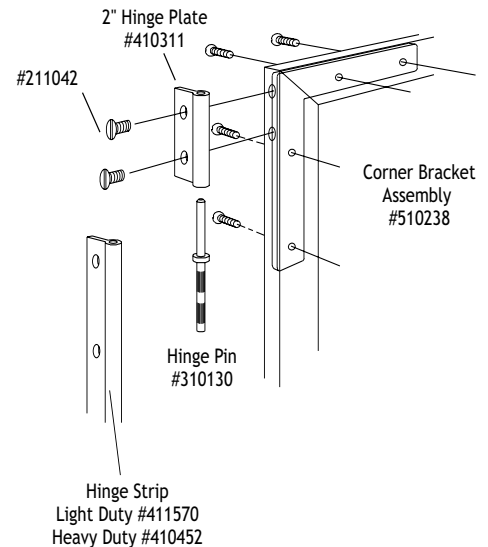
Piano Hinge



Extruded Hinge



Steel Corner Bracket and Hinge



√ = finished surface

Heavy Duty Aluminum Hinged Door Frames

Hinges

Door Frames can be ordered with either an extruded hinge or a piano hinge. Extruded hinges provide a clean, “invisible” look for smaller openings. Piano Hinges supply greater strength for frames with larger openings.

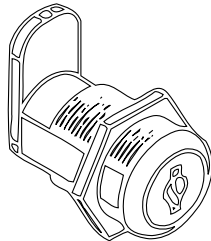
Size Limitations	Maximum Width	Maximum Height
Extruded Hinge	24”	48”
Piano Hinge	36”	96”

These size limitations apply to side hinges only. You can enlarge the width capabilities of your frame by specifying top or bottom hinges.

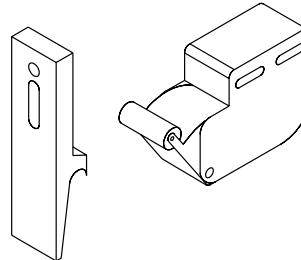
Locks/Latches

Choose from a push-release latch or a cam lock.

Part #510199
Cam Lock



Part #510349
Push Latch



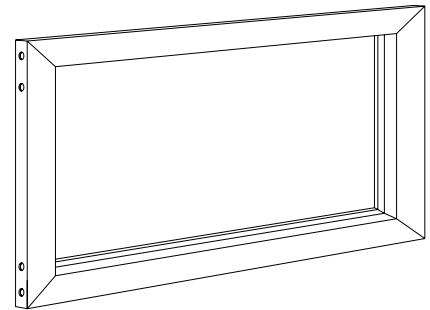
Heavy Duty Aluminum Door Frames

Model #	Description	Panel Thickness
610136	Heavy Duty Frame with Extruded Hinge and Latch	1/4”
610137	Heavy Duty Frame with Extruded Hinge and Lock	1/4”
610138	Heavy Duty Frame with Piano Hinge with Latch	1/4”
610139	Heavy Duty Frame with Piano Hinge with Lock	1/4”
*610177	Heavy Duty Frame with Extruded Hinge and Lock	1/4”

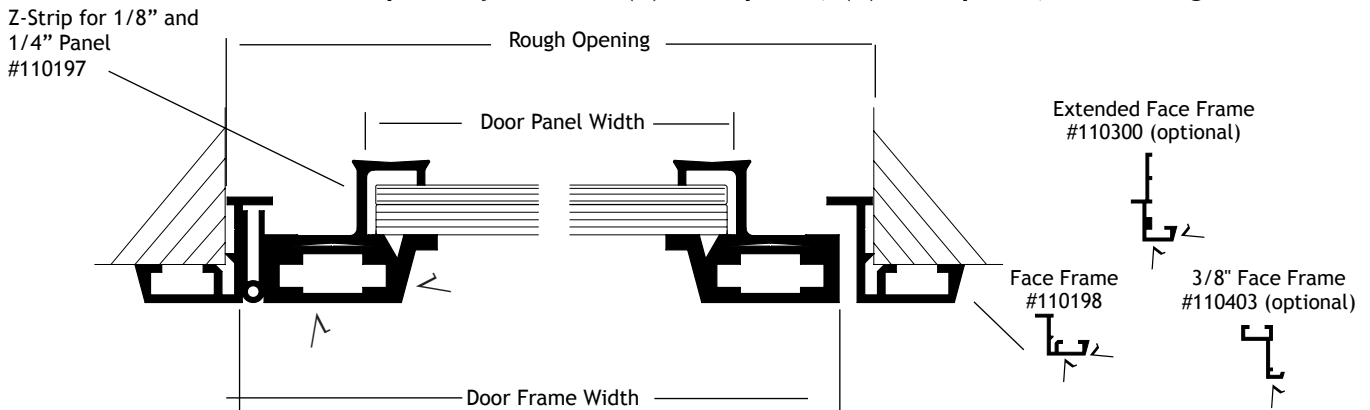
Notes: • Model #610177 does not include a face frame.

Aluminum Transparency Frames

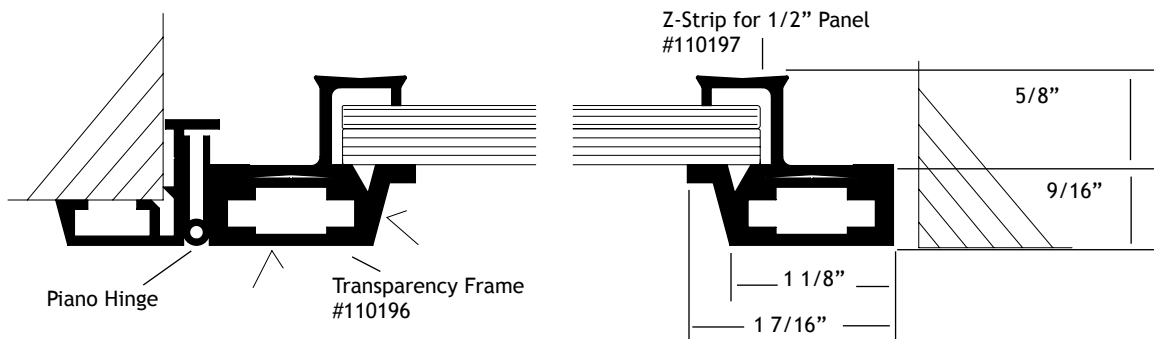
Stylmark's Aluminum Transparency Frames hold transparencies between two glazing panels in various thicknesses, which can then be backlit to dramatically highlight your product. Frames swing open on seam-free extruded or piano hinges, allowing you to change images quickly and easily. Secure your frame in its closed position using a push-release latch that is hidden inside the frame cavity, or choose a cam lock to prevent unwanted entry. Stylmark's Aluminum Transparency Frames are easy to assemble and mount, and are available in hundreds of color and finish combinations.



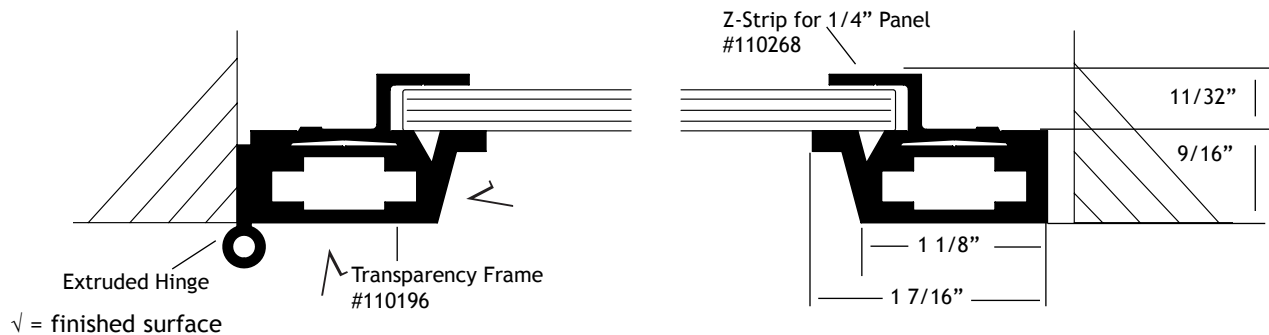
Aluminum Transparency Frame: (1) 1/8" panel, (1) 1/4" panel, Piano Hinge



Aluminum Transparency Frame: (2) 1/4" panels, Piano Hinge



Aluminum Shadow Box Frame: (1) 1/4" panel, Extruded Hinge



Aluminum Transparency Frames

Hinges

Transparency Frames can be ordered with either an extruded hinge or a piano hinge. Extruded hinges are seam-free, and are ideal for use in frames measuring less than 48" high. Piano Hinges supply greater strength for frames over 48" high. You can enlarge the width capabilities of your frame by specifying top or bottom hinges.

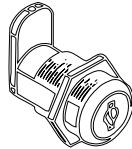
Size Limitations	Maximum Width	Maximum Height
Extruded Hinge	24"	48"
Piano Hinge	36"	96"

These size limitations apply to side hinges only. You can enlarge the width capabilities of your frame by specifying top or bottom hinges.

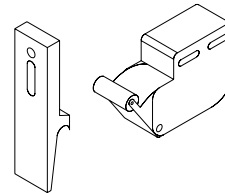
Locks/Latches

Choose from either a push-release latch that is hidden inside the frame cavity, or a cam lock to prevent unwanted entry.

Part #510199
Cam Lock



Part #510349
Push Latch



Transparency Frames

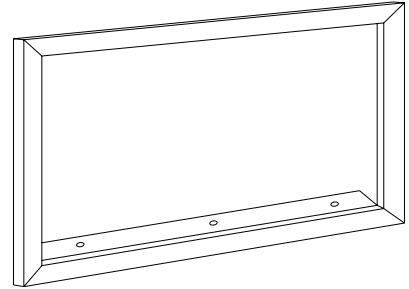
Model #	Description	Total Panel Thickness
610130	Frame with Piano Hinge and Latch	3/8" - 1/2"
610131	Frame with Extruded Hinge and Latch	3/8" - 1/2"
610132	Frame with Piano Hinge and Lock	3/8" - 1/2"
610133	Frame with Extruded Hinge and Lock	3/8" - 1/2"

Shadow Boxes

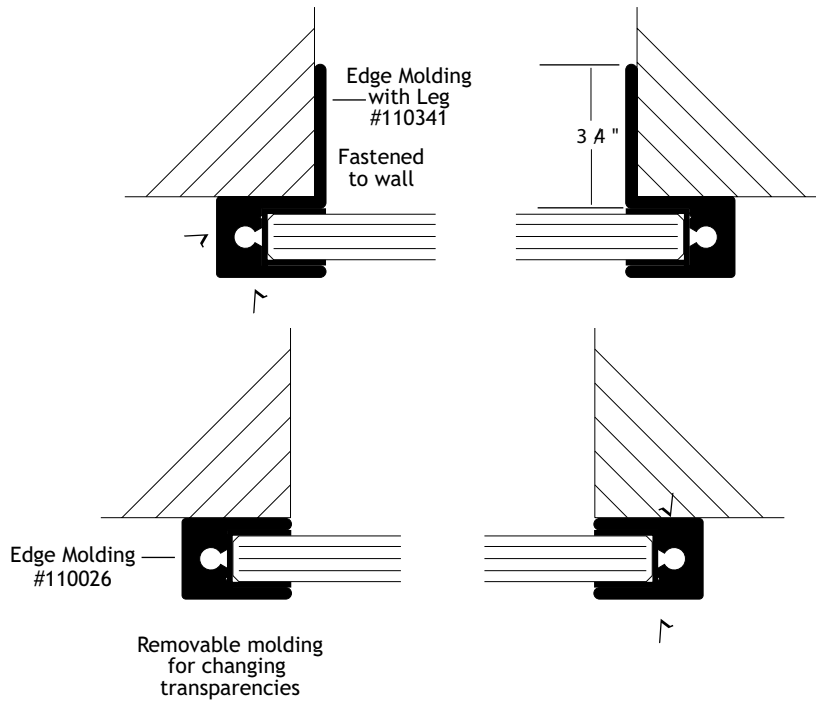
Model #	Description	Total Panel Thickness
610150	Frame with Piano Hinge and Latch	1/4"
610151	Frame with Extruded Hinge and Latch	1/4"
610152	Frame with Piano Hinge and Lock	1/4"
610153	Frame with Extruded Hinge and Lock	1/4"

Aluminum Stationary Frames

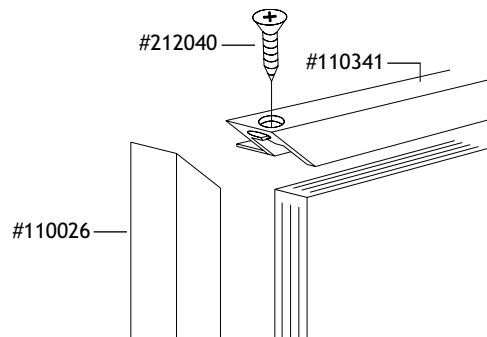
With a 9/16" edge channel, the Aluminum Stationary Frame can be used as an attractive transparency frame. A typical four-sided frame has two permanent channels that are affixed to the wall with legs and two removable channels to slide your glass and/or artwork out. We can fabricate the frame to fit your sizing needs and it is available in a straight or curved option.



Part #610166
Aluminum Stationary Frame



Removable Channel Detail

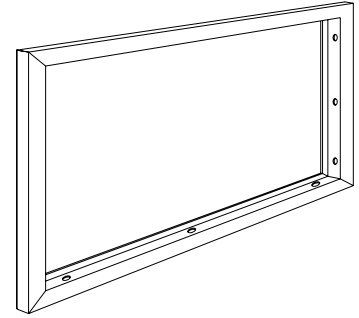


✓ = finished surface

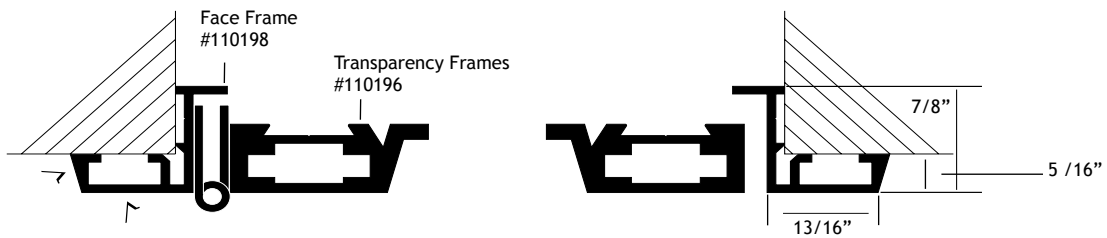
- Notes:**
- Part #110341 - Used for top and bottom frame.
 - Part #110026 - Used as side molding.

Aluminum Face Frames

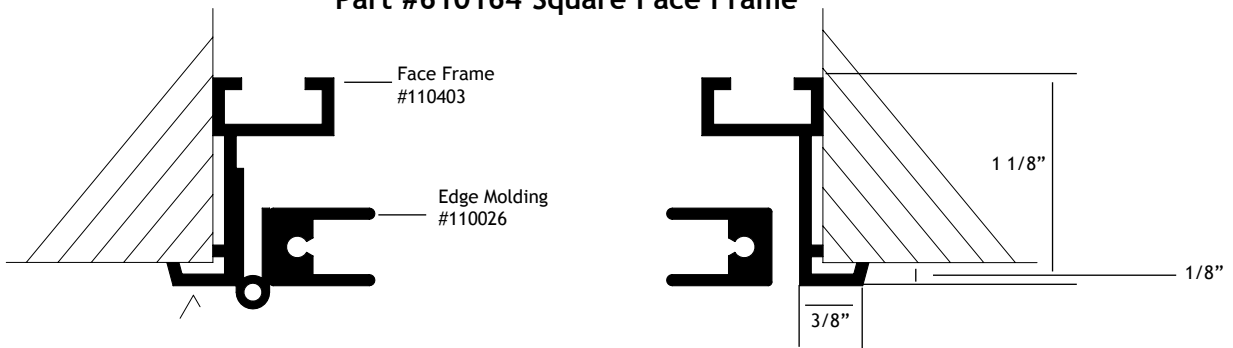
Stylmark created these decorative Face Frames to finish your rough openings with style. The Face Frame is easy to install with our Hinged Doors and Transparency Frames. Hidden steel mitered corner brackets hold corners tightly together for an attractive, seamless look.



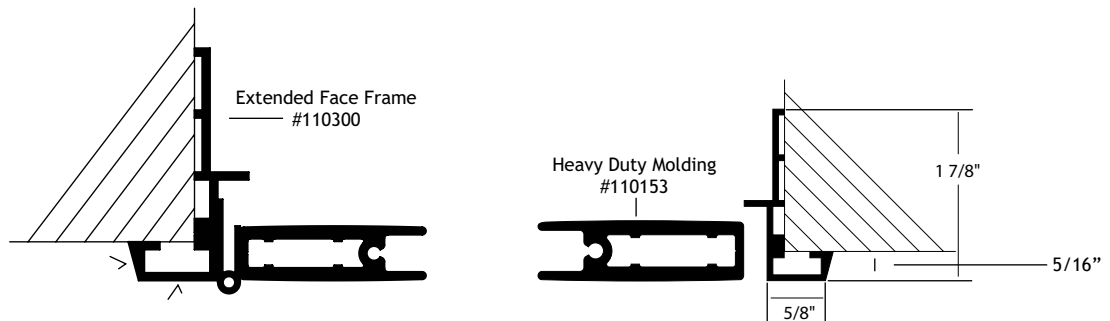
Part #610142 Face Frame



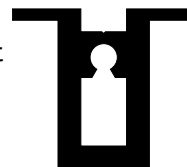
Part #610164 Square Face Frame



Part #610156 Face Frame

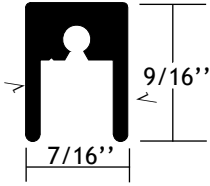


Part #110220 Mullion
This provides separation and support for multiple door systems.

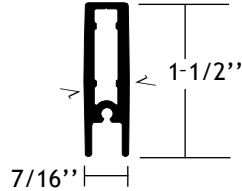


√ = finished surface

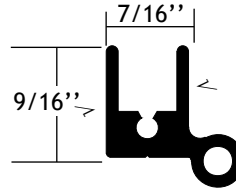
Part #110026
Edge Molding



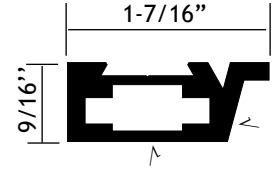
Part #110153
Heavy Duty Molding



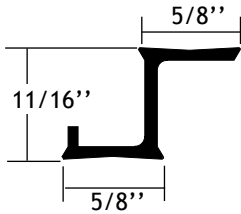
Part #110156
Hinge Molding



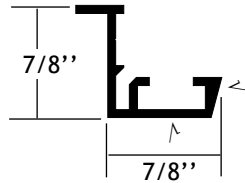
Part #110196
Transparency Frame



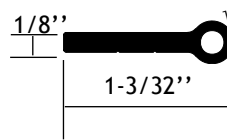
Part #110197
Z-Strip 1/2" Panel



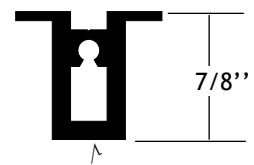
Part #110198
Face Frame



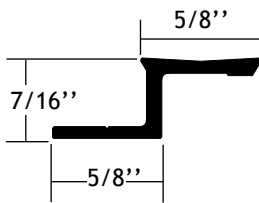
Part #110204
Heavy Duty Hinge Strip



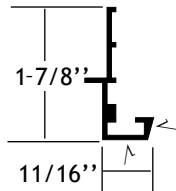
Part #110220
Face Frame Mullion



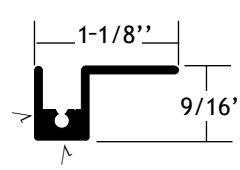
Part #110268
Z-Strip 1/4" Panel



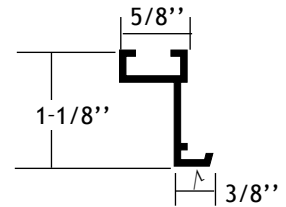
Part #110300
Extended Face Frame



Part #110341
Edge Molding w/Leg



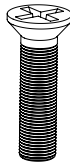
Part #110403
3/8" Face Frame



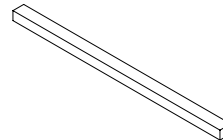
Part #211042
Flat Head Machine Screw



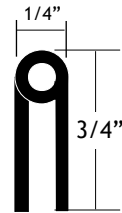
Part #212040
#6 x 5/8 Hinge Screw



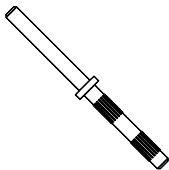
Part #226019
Foam Tape



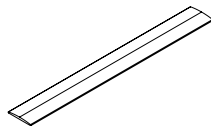
With Holes: 224008
Without Holes: 224009
1-1/2" Piano Hinge



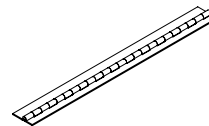
Part #310130
Hinge Pin



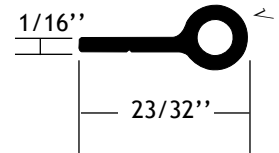
Part #310345
Glide Strip



Part #310351
Piano Hinge



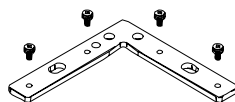
Part #410311
2" Hinge Plate



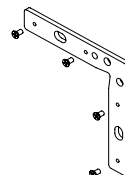
Part #510199
Chrome Cam Lock Kit



Part #510237
Corner Bracket Assembly works with #110196



Part #510238
Corner Bracket Assembly works with #110153



Part #510349
Mini Latch Assembly

