



Shelving

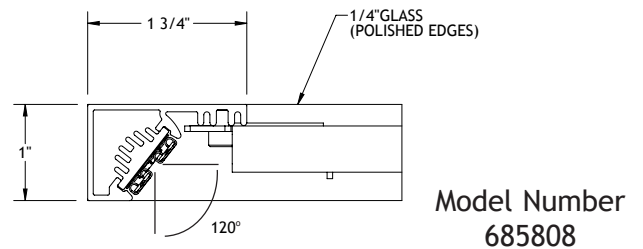
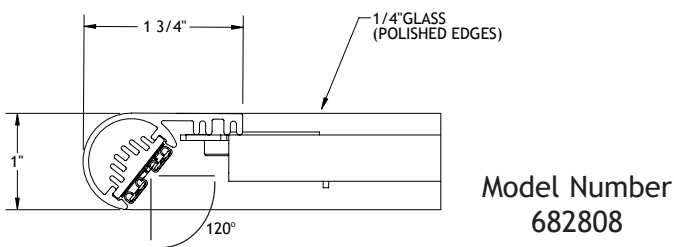
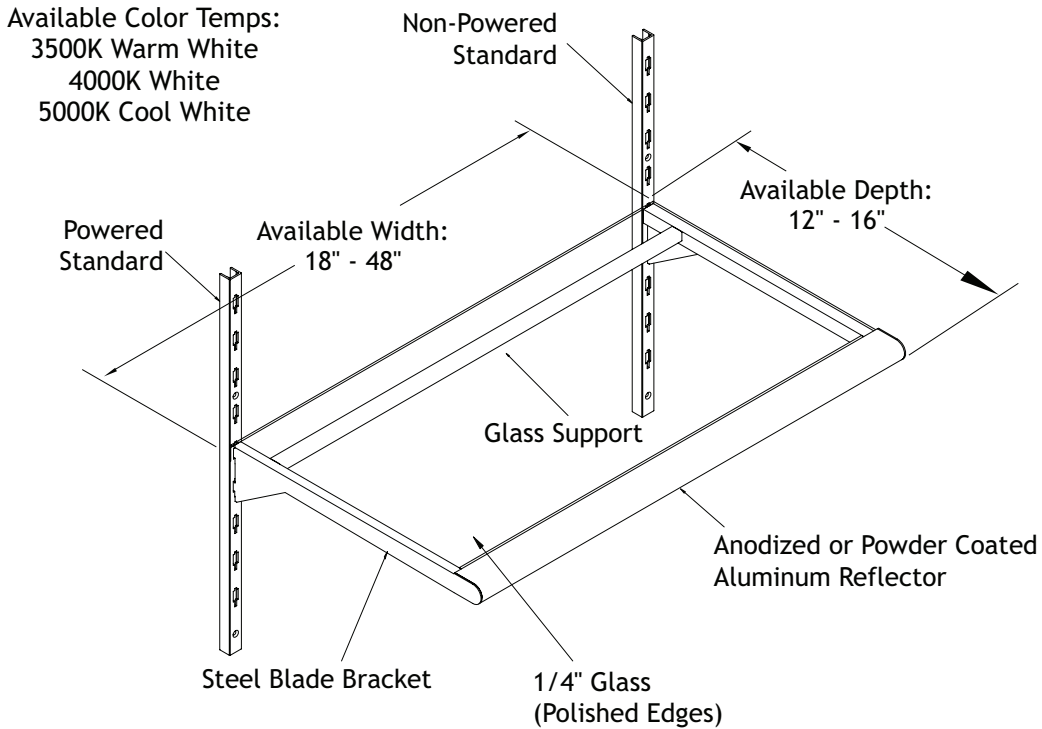
Stylmark's shelving products have clean lines that provide an attractive accent to any area.

Constructed of aluminum or stainless steel, these elegant framed shelves are available with or without lights.

Power Track Light Shelves	2
Shelf Standards & Brackets	4
Flexis™ DisplayMaker Shelving	7

LED Power Track Light Shelf

The LED Power Track Light Shelf provides a low voltage, low maintenance alternative to conventional lighting. The small footprint of the LED emitters allows for a slim profile shelf to maximize viewable merchandising area. With low heat output and no UV, this self-contained lighting unit connects to a Stylmark powered shelf standard and is an ideal solution for cosmetic, crystal, chocolate or fine leather applications.



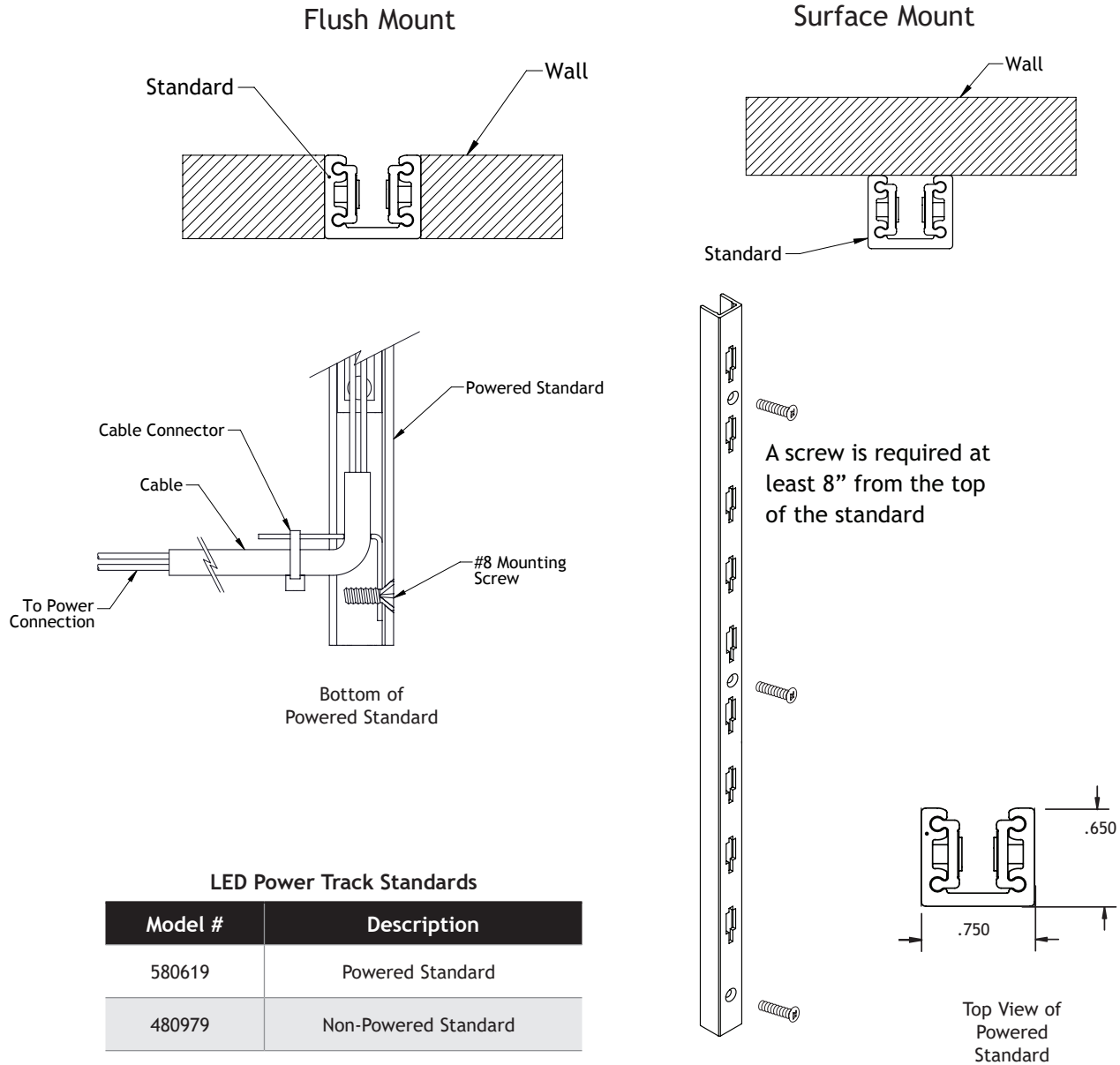
LED Powered Light Shelf

Model #	Description
682808	Steel Powered Shelf - Round Front
685808	Steel Powered Shelf - Square Front

Description	Part Number
Specification Drawing	981068
Instruction Bulletin	971416

LVSHF-SPS / LVSTD

LED Power Track Light Shelf



- Notes:**
- LED Power Track Shelf utilizes one powered and one non-powered Stylmark standard, ranging in height from 18" to 96".
 - Glass not supplied.
 - Standards can be anodized to match shelves.
 - Stylmark LED Power Track Light Shelf is ETL listed for U.S. and Canada per UL Standards.

LVSHF-SPS / LVSTD

Shelf Standards and Brackets

Aluminum Light Duty Standards and Brackets

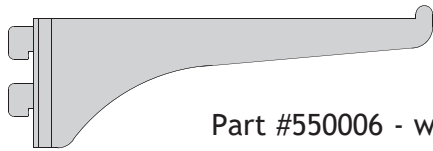
Stylmark aluminum light duty standards and brackets are anodized to the same color and finish as other showcase components. They can also be ordered in complementary colors for contrast.

Part # 550006: Shelf Bracket

This aluminum shelf bracket is typically used with 1/4" glass shelving. It is available in 6", 8", 10", 12", 14", and 16" depths, with or without a lip. (Non-buffed or brush finishes only)

#550006 Shelf Bracket With Lip

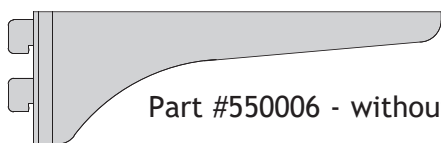
Part # 550006-01	6"
Part # 550006-02	8"
Part # 550006-03	10"
Part # 550006-04	12"
Part # 550006-05	14"
Part # 550006-06	16"



Part #550006 - with lip

#550006 Shelf Bracket Without Lip

Part # 550006-07	6"
Part # 550006-08	8"
Part # 550006-09	10"
Part # 550006-10	12"
Part # 550006-11	14"
Part # 550006-12	16"



Part #550006 - without lip

Part # 450022*

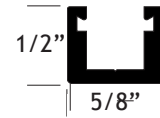
Showcase Standard Support
This insert for #450010 adds support and gives the standard a finished look.



7/64"

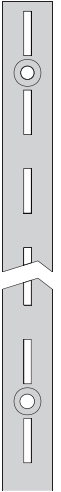
Part # 450013*

Wall Standard
Used for designs requiring wall mounted standards. Comes with pre-drilled and countersunk holes every six inches.



1/2"

5/8"

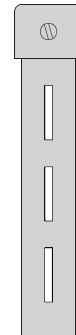


Part # 450010*

Showcase Standard
Has slotting for conventional brackets. Slots measure 9/16" x 3/32", and are 1" on center.



1/2"

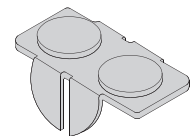
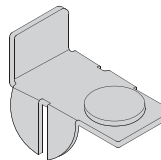


Steel Shelf Clips

These shelf clips are designed with rubber grommets to cushion the glass resting on our shelf brackets.
Available in chrome finish only.

Part #550013: End Clip

Part #550014: Center Clip



Notes: • *Part numbers #450010, 450022 and 450013 can be ordered as 12ft stock length or fabricated to length

Shelf Standards and Brackets

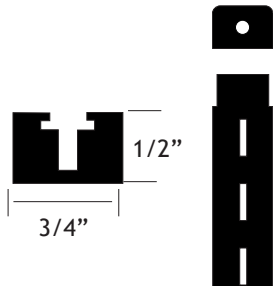
Aluminum Heavy Duty Standards and Brackets

Stylmark's heavy duty aluminum standards with tubular brackets are as durable as steel showcase standards and brackets, but offer the added feature of color and finish options.

Part # 450020*

Heavy Duty Standard

This standard is machined at the top and bottom to accept the #550007 foot and cap assembly. Slots measure 9/16" x 3/32", and are 1" on center.



Part # 450021*

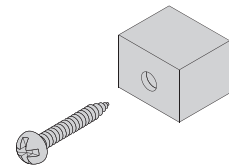
Standard Insert

This insert for #450020 adds support and gives the standard a finished look.



Part # 550007

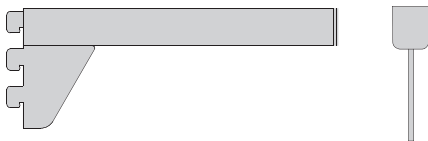
Foot and Cap Assembly
Used to fasten a standard at the top and bottom of the showcase. Gray plastic.



Part # 550010

Heavy Duty Tubular Bracket

Our heavy duty tubular bracket adds a contemporary look with the ability of supporting 3/8" to 1/2" thick glass shelves with ease. It is available in 6", 8", 10", 12", 14", and 16" depths.
(Buffed or brushed finishes only)



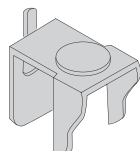
Heavy Duty Tubular Brackets #550010 brackets are available in six sizes:

Part # 550010-01	6"
Part # 550010-02	8"
Part # 550010-03	10"
Part # 550010-04	12"
Part # 550010-05	14"
Part # 550010-06	16"

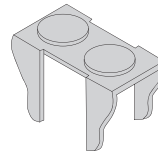
Steel Shelf Clips

These shelf clips are designed with rubber grommets to cushion the glass resting on our tubular brackets. Available in chrome finish only.

Part #550011: End Clip



Part #550012: Center Clip



Notes:

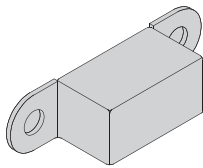
- *Part numbers #450020 and 450021 can be ordered as 12ft stock length or fabricated to length

Shelf Standards and Brackets

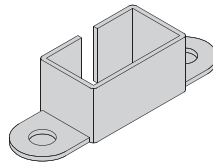
Steel Standards and Brackets

When your design requires extra strength, these Knappe and Vogt (K.V.) steel standards and brackets provide the support you need. These components have an anachrome finish and are not compatible with aluminum standards or brackets.

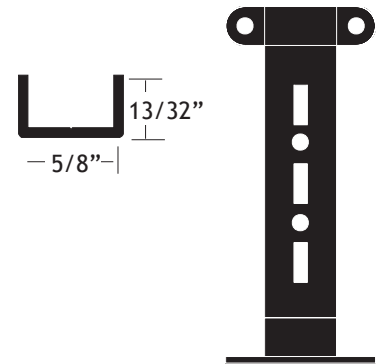
Part # 550009
 Cap Assembly
 Attaches standard at top
 of showcase.



Part # 550008
 Foot Assembly
 Attaches standard at
 bottom of showcase.



Steel Standard
Part # 232023: 36"
Part # 232028: 96"
 K.V. steel showcase standards have
 slotting for conventional brackets.



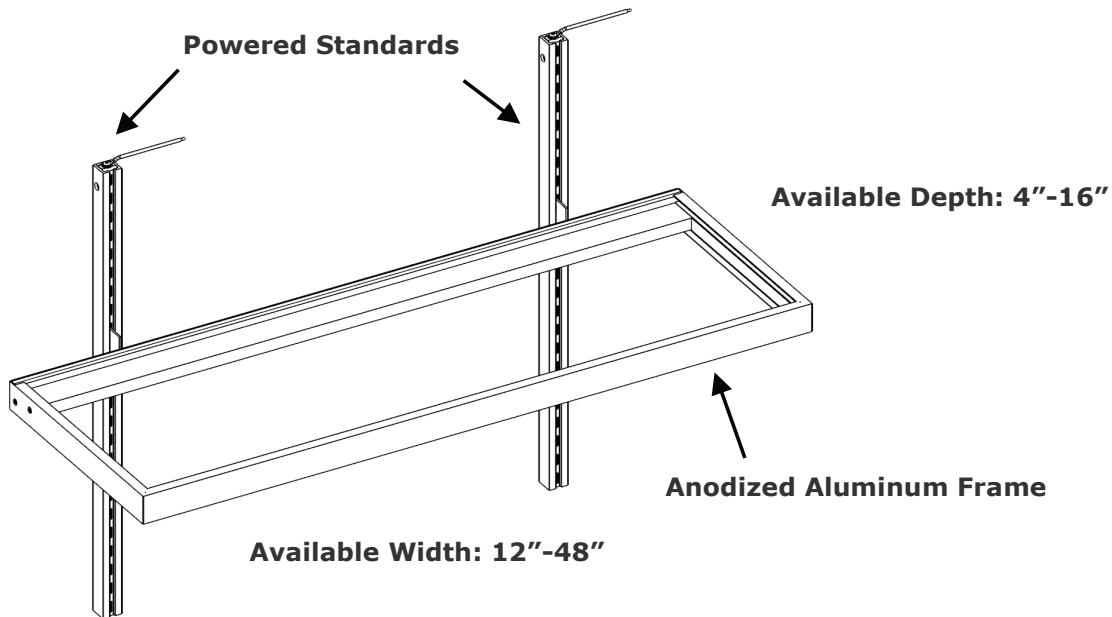
Brackets	
K.V. steel brackets are available in six sizes:	
Part # 232006	6"
Part # 232008	8"
Part # 232010	10"
Part # 232012	12"
Part # 232014	14"
Part # 232016	16"



Flexis™ DisplayMaker - Shelving System

Flexis™ DisplayMaker is the new wall merchandising system from Stylmark. At the core of Flexis is a low voltage powered standard system which enables users to flexibly create a variety of merchandising solutions. This can be achieved by adding Stylmark lit shelves, lit mirrors, monitors, or just about anything requiring a 24volt input voltage. This system allows retailers the ability to re-set and re-merchandise the wall with ease and with no wires, a true plug-and-play solution.

Flexis is not just designed for the perimeter wall of a retail store; Options are available for a gondola fixture. Flexis is available in Stylmark's wide range of anodized finishes allowing designers to capitalize on color as part of their store design.



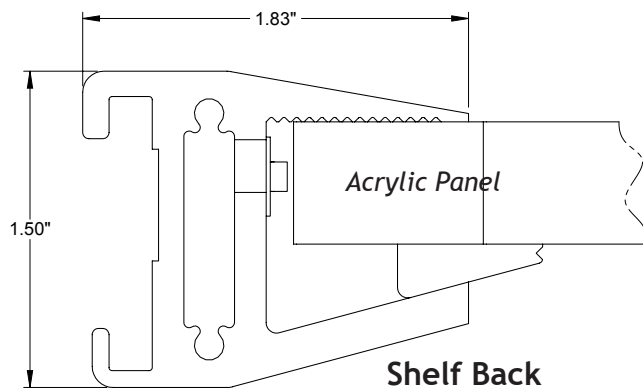
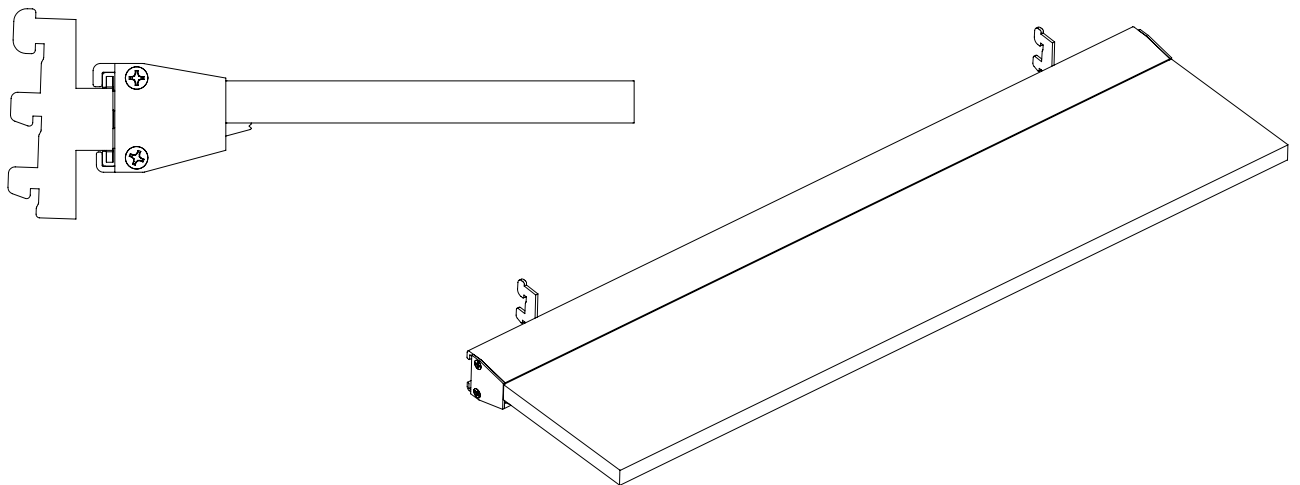
Description	Part Number
Data Sheet	971863
Instruction Bulletins	971861 & 971862

Notes: • The power supply needed to run the system must be readily accessible in a toe kick or on top of the wall.

Flexis™ DisplayMaker - Shelving System

Flexis Model 684308

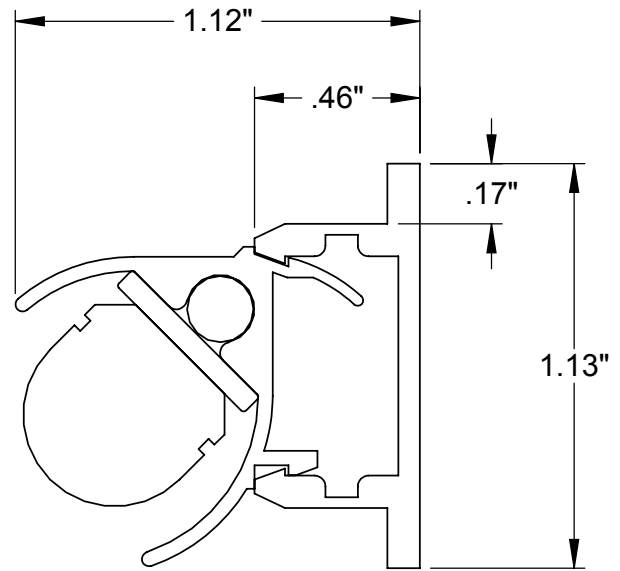
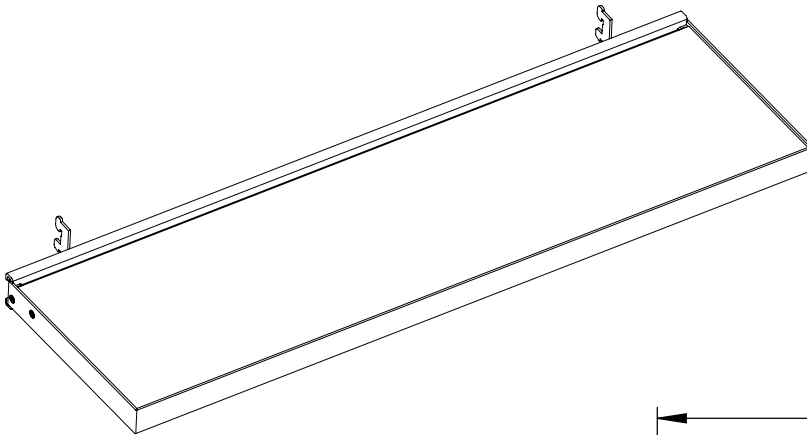
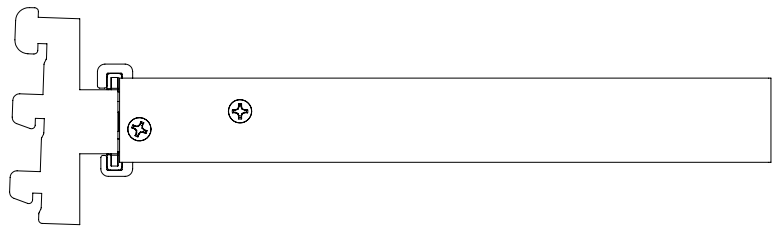
- Available with or without LED UL Listed Light
- Shelf designed to accept acrylic panel



Flexis™ DisplayMaker - Shelving System

Flexis Model 684328

- Available with or without LED UL Listed Light
- Shelf accommodates (shelving provided by Stylmark or others)
 - Glass
 - Wood
 - Acrylic

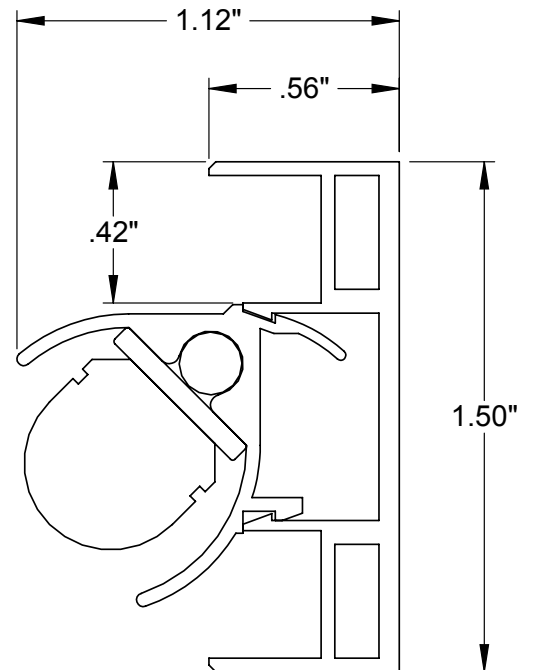
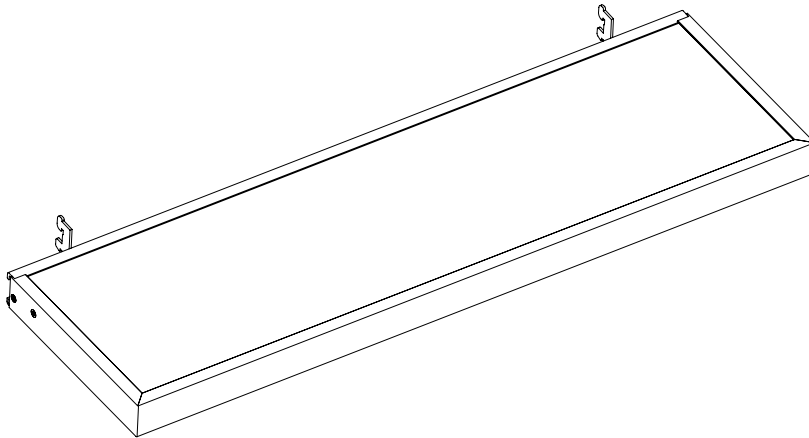
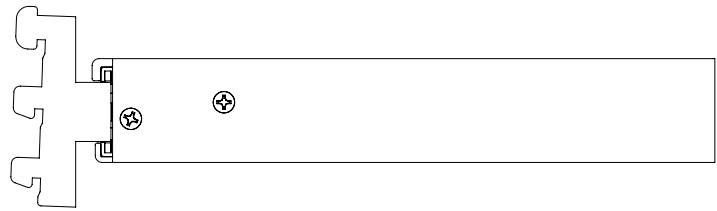


Shelf Front

Flexis™ DisplayMaker - Shelving System

Flexis Model 684348

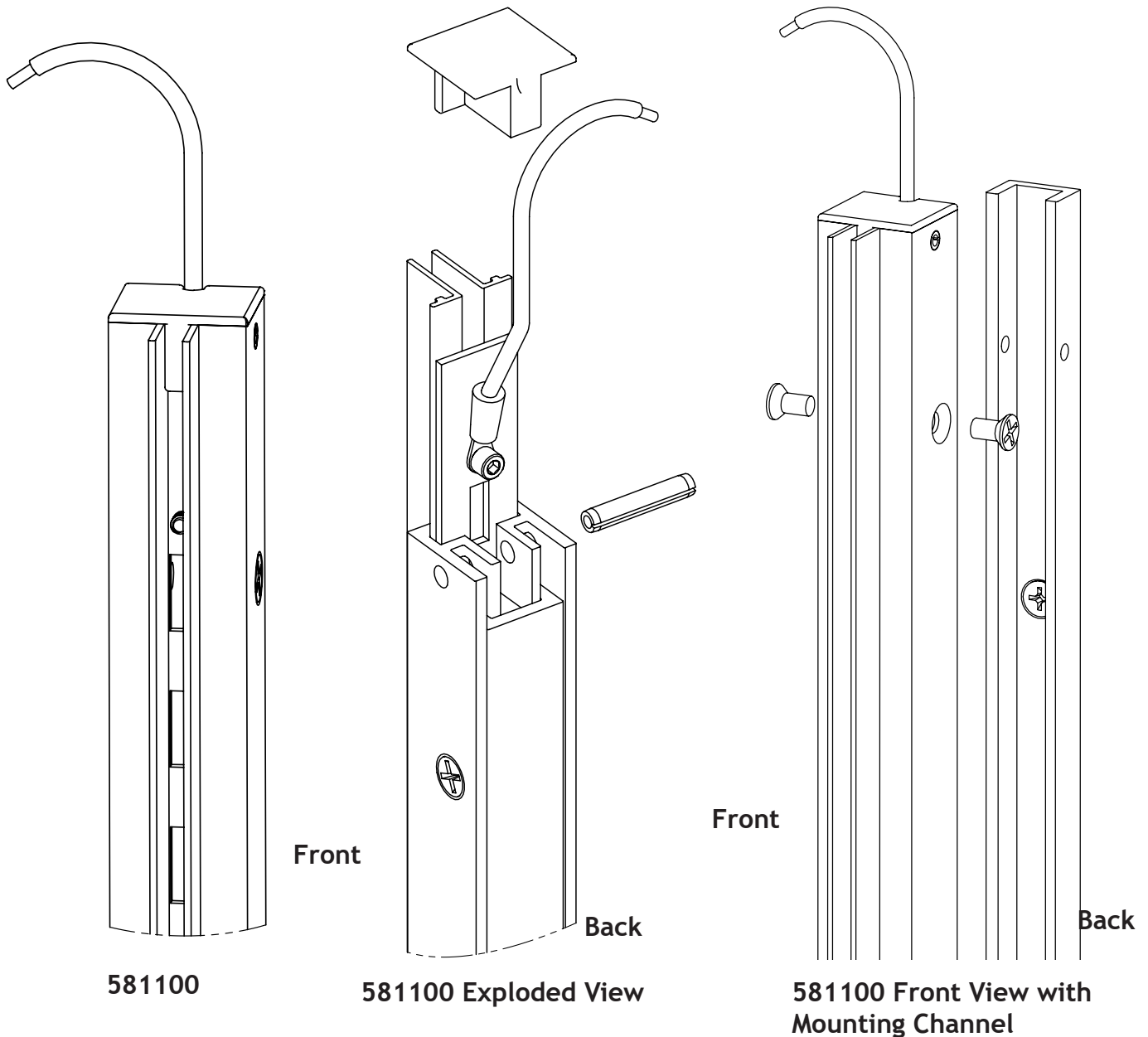
- Available with or without LED UL Listed Light
- Shelf accommodates (shelving provided by Stylmark or others)
 - Glass
 - Wood
 - Acrylic



Shelf Front

Flexis™ DisplayMaker - Shelving System

Standards - Model 581100



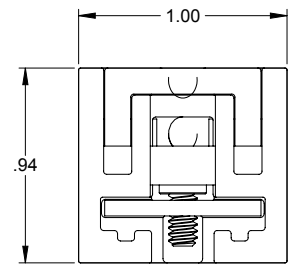
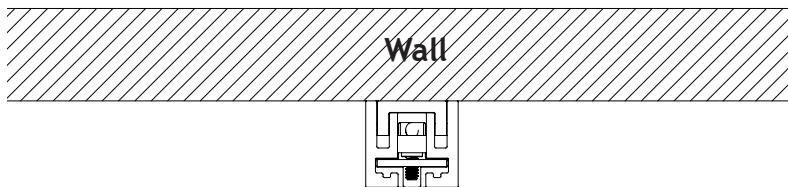
Flexis's standards are shipped from Stylmark in two sections:

- Mount to the wall back standard
- Top section that slides over with the power connection.

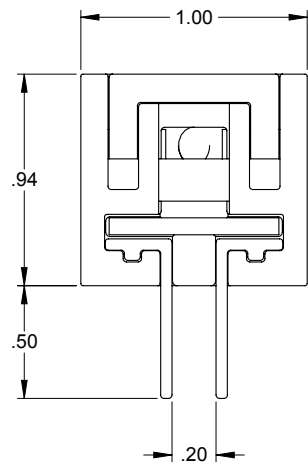
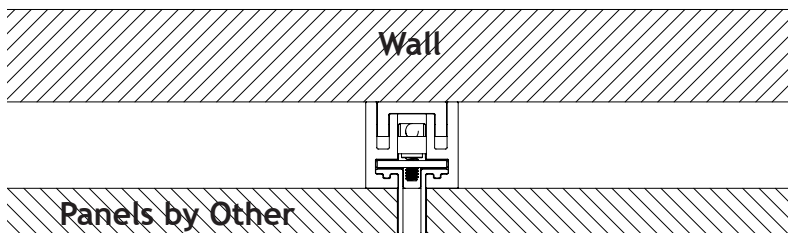
Flexis™ DisplayMaker - Shelving System

Shelf Standard Options

581099 - Surface Mount



581099 - Panel Mount with 1/2" Panel Edge



581099 - Panel Mount with 3/4" Panel Edge

