



Fitting Room Extrusions & Hardware

Stylmark offers sturdy, high-quality fitting room systems designed to fit together easily and quickly allowing for rapid field installation. With the flexibility of our post-and-panel system, you can create unique, cost-effective and modular designs in numerous store areas.

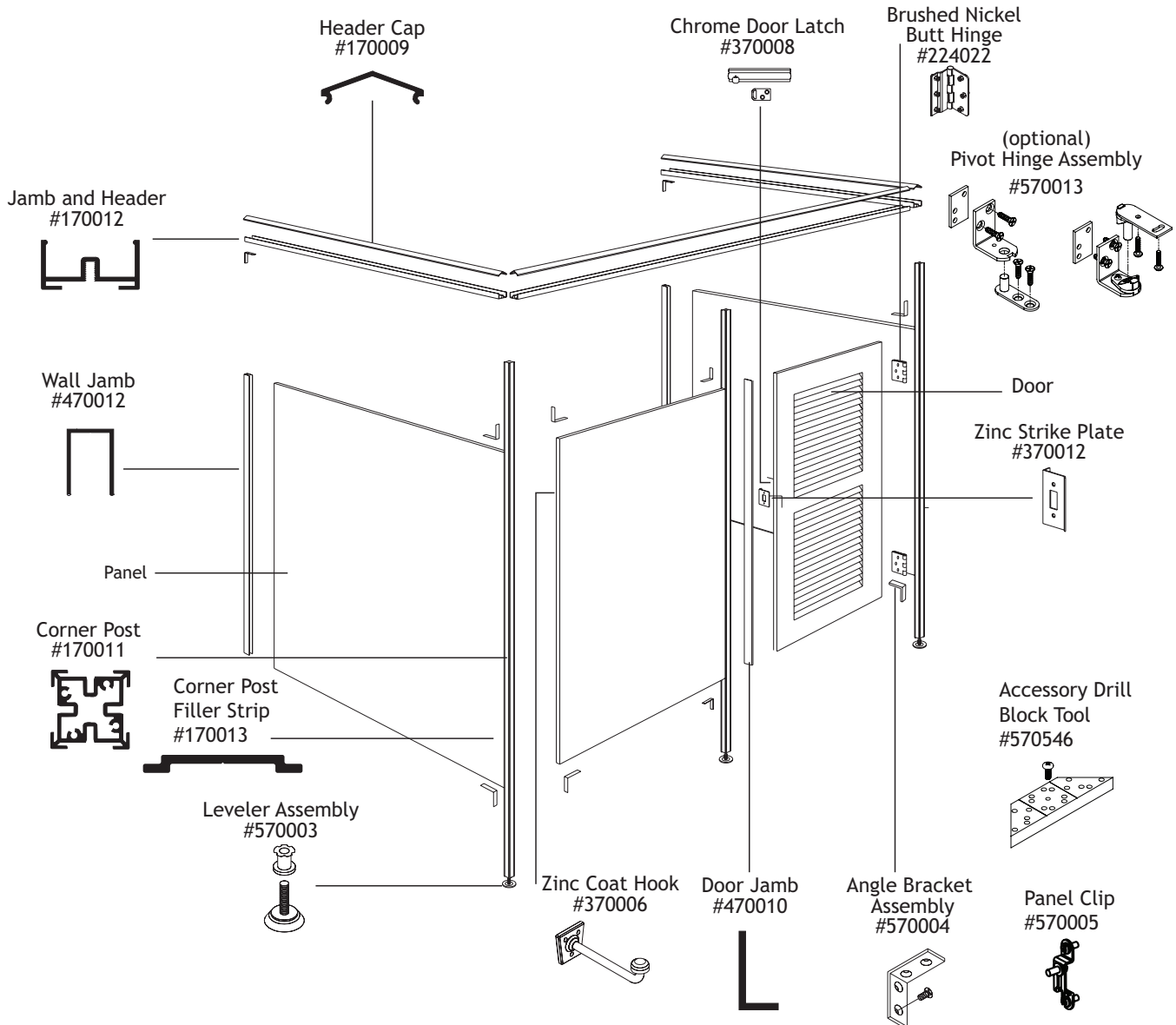
Mirror Kits and Assemblies

Proper fitting room lighting is key and helps the shopper to see clothing the same way they would at home. Lighted Mirror Solutions from Stylmark are designed to soften the light directed on the body. Choose from stylish options for every design budget.

Fitting Rooms	2
Mirror Solutions	5
Admire LED Mirror	8
Mirror Kits	10
Tri-View Mirror Frames	11
Mirror Frames	13
Mirror Trims	15

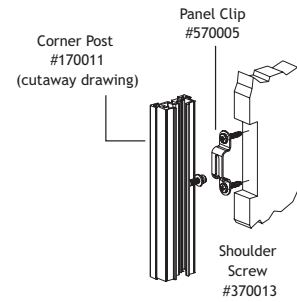
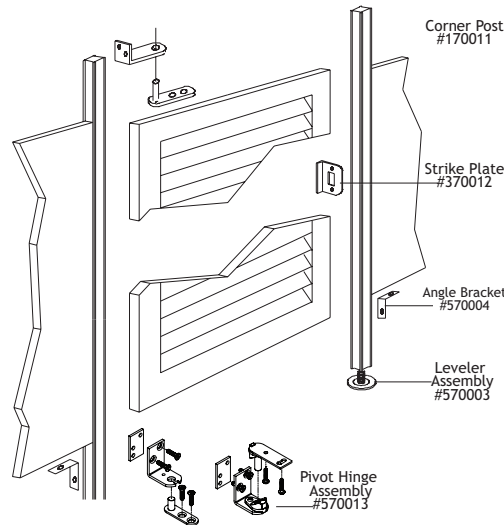
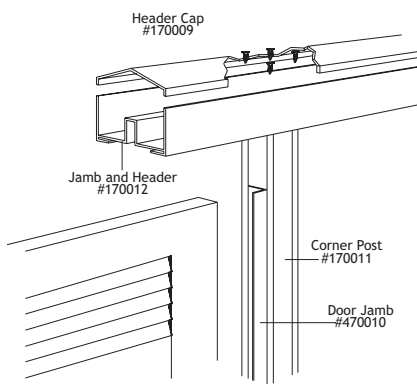
Fitting Rooms

Stylmark offers components and hardware that can be used to create a variety of custom fitting room configurations. Fitting room extrusions are sold in stock length material or material may be fabricated to meet your specific requirements.



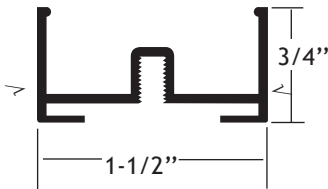
- Notes:**
- Panel and door provided by other
 - Accessory Drill Block Tool Part #570546

Fitting Rooms

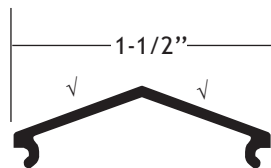


Alternate method to angle brackets #570004 to conceal hardware from view

Part #170012
Jamb and Header
Stock Length = 144"

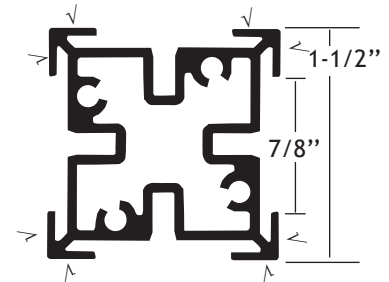


Part #170009
Header Cap
Stock Length = 144"

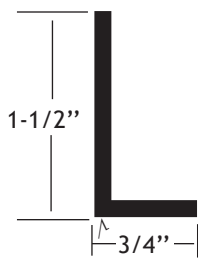


Part #170011
Corner Post
Stock Length = 84"

Part #170014
Corner Post
Stock Length = 146"

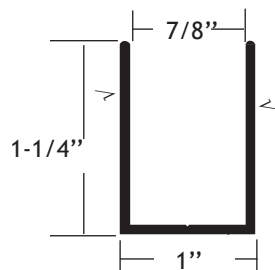


Part #470010
Door Jamb with Slots
Stock Length = 84"

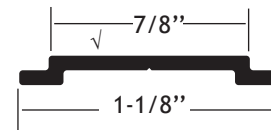


Part #470012
Wall Jamb with Holes
Stock Length = 144"

Part #170008
Wall Jamb without Holes
Stock Length = 144"



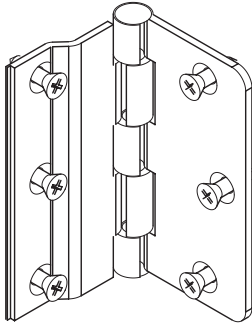
Part #170013
Corner Post
Filler Strip
Stock Length = 84"



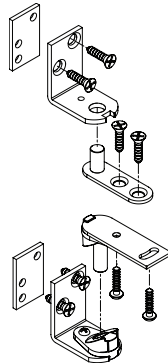
√ = finished surface
Drawings are not to scale

Fitting Rooms

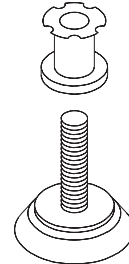
Part #224022
Brushed Nickel Butt Hinge
Use for heavier doors.



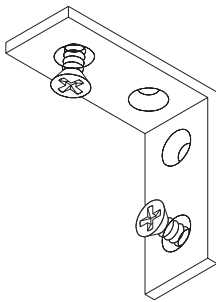
Part #570013
Brass Plated Pivot Hinge Assembly
Use for light duty or covered doors, not exceeding 35 lbs.



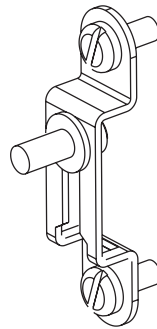
Part #570003
Leveler Assembly
Used to assure easy adjustability.



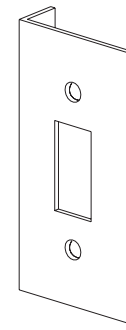
Part #570004
Angle Bracket
Bracket supports can be used to attach panels to posts. Anodized to match. *(includes bracket and two screws)*



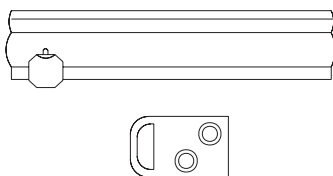
Part #570005
Panel Clip Kit
Used as an alternative method of attaching panels to posts. Includes hardware and 4 clips.



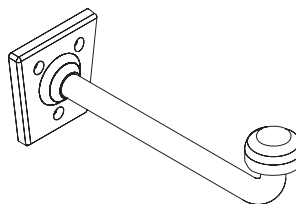
Part #370012
Zinc Strike Plate
Latches are designed for easy, secure installations (Includes screws). Zinc plated.



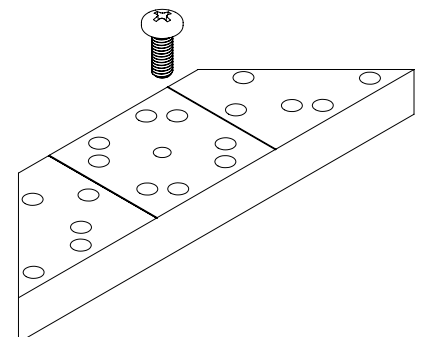
Part #370008
Chrome Door Latch



Part #370006
Zinc Coat Hook



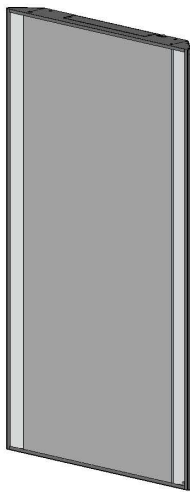
Part #570546
Accessory Drill Block Tool



√ = finished surface
Drawings are not to scale

Mirror Solutions - BEVEL

Featuring a frame which tapers back towards the wall, BEVEL presents a unique appearance. The LED-lit BEVEL Mirror also features flush, etched lights on each side of the mirror face. The LED-lit BEVEL Mirror is selectable with hard-wire (wire per NEC and applicable local codes) or plug-in option.



BEVEL Mirror: LED-Lit
Model 620096



BEVEL Mirror
Model 620095

Model #	Description	Mirror Size (O.D)
620095-01	BEVEL : Single Pane Mirror with Mounting Hardware	28" x 60" (28-3/4" x 60-1/4")
620095-03	BEVEL : Single Pane Mirror with Mounting Hardware	36" x 72" (36-3/4" x 72-1/4")
620096-01	BEVEL : LED-Lit, Single Pane Mirror with Mounting Hardware	28" x 60" (28-3/4" x 60-1/4")
620096-03	BEVEL : LED-Lit, Single Pane Mirror with Mounting Hardware	36" x 72" (36-3/4" x 72-1/4")

Construction Specifications:

Nominal Length

- 60" or 72"

Frame Material

- Anodized Aluminum

Frame Finish

- See Stylmark Color Library

Mirror

- 1/4" Clear Mirror with Pencil Ground Edges & Category 1 Safety Backing

LED Lighting Specifications (Model 620096):

Color Temperature

- 3000K, 3700K, 4200K

Nominal Wattage

- 32.5W or 39W

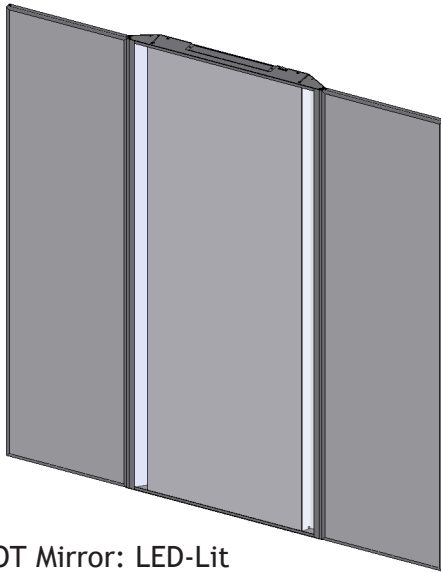
Color Rendering Index

- 85

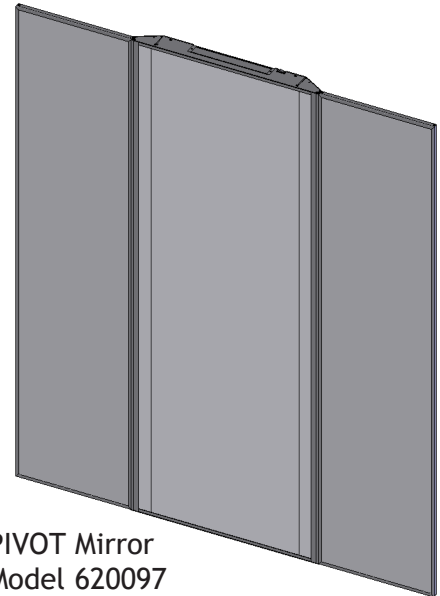
MIRRKIT

Mirror Solutions - PIVOT

PIVOT features adjustable wing mirrors to allow viewing from multiple angles. The wing mirrors attach with seamless hinges which eliminate pinch points. The LED-lit PIVOT Mirror also features flush, etched lights on each side of the center mirror face. The LED-lit PIVOT Mirror is selectable with hard-wire (wire per NEC and applicable local codes) or plug-in option.



PIVOT Mirror: LED-Lit
Model 620098



PIVOT Mirror
Model 620097

Model #	Description	Mirror Size (O.D)
620097-02	PIVOT : Triple Pane Mirror with Mounting Hardware	18" (wing) x 28" x 72" (66-1/4" x 72-1/4")
620098-02	PIVOT : LED-Lit, Triple Pane Mirror with Mounting Hardware	18" (wing) x 28" x 72" (66-1/4" x 72-1/4")

Construction Specifications:

Nominal Length
• 72"

Frame Material
• Anodized Aluminum

Frame Finish
• See Stylmark Color Library

Mirror
• 1/4" Clear Mirror with Pencil Ground Edges & Category 1 Safety Backing

LED Lighting Specifications (Model 620098):

Color Temperature
• 3000K, 3700K, 4200K

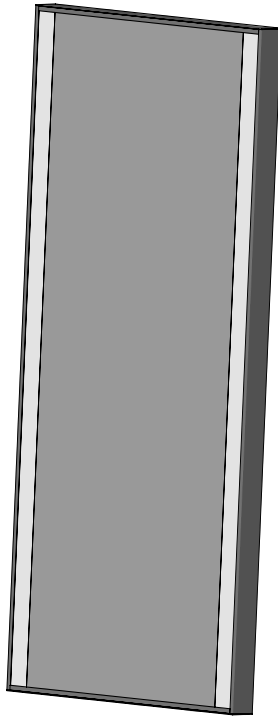
Nominal Wattage
• 32.5W or 39W

Color Rendering Index
• 85

MIRRK1

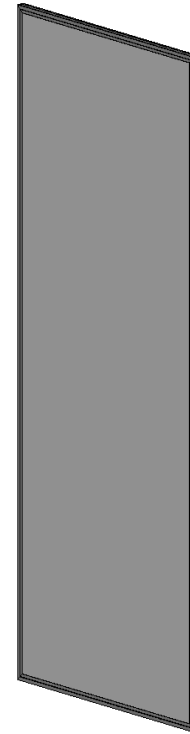
Mirror Solutions - TILT

The LED Tilt Mirror is designed to be a full-view, framed mirror that can be installed in a leaning fashion. Like all Mirror Solutions by Stylmark, the LED Tilt mirror is available in Stylmark's wide variety of anodized finishes and color temperatures.



TILT Mirror
Model 620091

TILT Mirror: LED-Lit
Model 620092



Model #	Description	Mirror Size (O.D)
620091-01	TILT : Single Pane Mirror with Mounting Hardware	28" x 60" (29" x 61")
620091-02	TILT : Single Pane Mirror with Mounting Hardware	28" x 72" (29" x 73")
620091-03	TILT : Single Pane Mirror with Mounting Hardware	36" x 72" (37" x 73")
620092-01	TILT : LED-Lit, Single Pane Mirror with Mounting Hardware	28" x 60" (28-1/4" x 60-1/4")
620092-02	TILT : LED-Lit, Single Pane Mirror with Mounting Hardware	28" x 72" (28-1/4" x 72-1/4")
620092-03	TILT : LED-Lit, Single Pane Mirror with Mounting Hardware	36" x 72" (36-1/4" x 72-1/4")

Construction Specifications:

Nominal Length

- 60" or 72"

Frame Material

- Anodized Aluminum

Frame Finish

- See Stylmark Color Library

Mirror

- 1/4" Clear Mirror with Pencil Ground Edges & Category 1 Safety Backing

LED Lighting Specifications (Model 620092):

Color Temperature

- 3000K, 3700K, 4200K

Nominal Wattage

- 32.5W or 39W

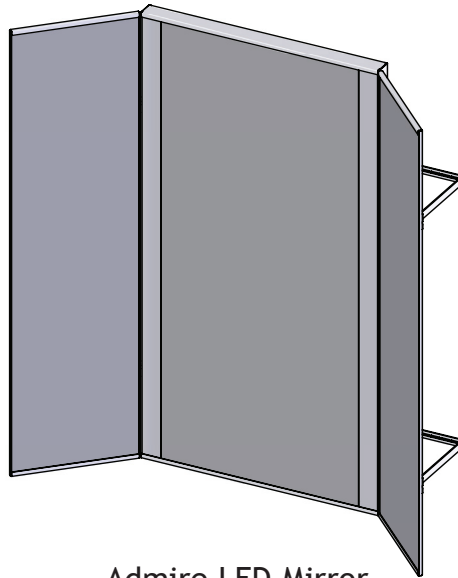
Color Rendering Index

- 85

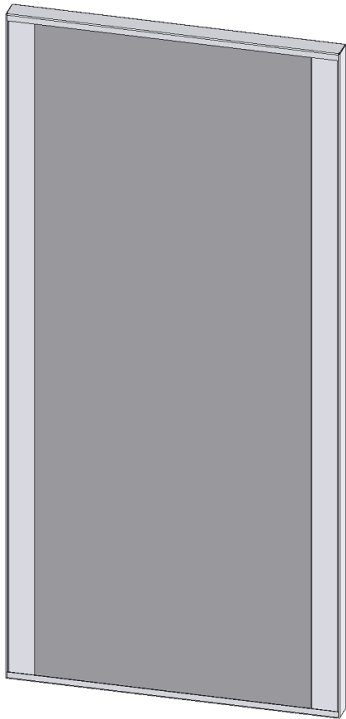
MIRRK7

Admire LED Mirror

The ADMIRE LED Mirror from Stylmark combines budget-friendly design with flattering soft white LED lighting to a full length mirror perfect for fitting rooms. The simple styling will fit almost any decor. With the compact depth of the ADMIRE LED Mirror, fitting into your smaller rooms won't be a concern. Complement the fitting room experience and ease the buying decision with Stylmark's ADMIRE LED Mirror.



Admire LED Mirror
(shown with wings)



Admire LED Mirror
Model 620105-01-0BWHT40111



Admire Wing
Model 620106-01-0BWHT40111

Admire LED Mirror

Model #	Description	Mirror Size (O.D)
620105-01-0BWHT40111	Admire LED Mirror- White (Hardwired)	28" x 60" glass size (28.38" x 60.75" x 2.00")
620105-02-0BWHT40111	Admire LED Mirror- White (Hardwired, On/Off Switch)	
620105-03-0BWHT40111	Admire LED Mirror- White (Plug-in Cord)	
620105-04-0BWHT40111	Admire LED Mirror- White (Plug-in Cord, On/Off Switch)	
620105-05-0BWHT40111	Admire LED Mirror- White (Low Light, On/Off Switch)	
620105-06-0BWHT40111	Admire LED Mirror- White (Low Light, Plug-in Cord, On/Off Switch)	
620105-07-0BWHT40111	Admire LED Mirror- White (Plug-in Cord, On/Off Switch)	28" x 72" glass size (28.38" x 72.75" x 2.00")
620106-01-0BWHT40111	Admire Wing	14" x 60" glass size (14.28" x 60.78" x .500")
620106-02-0BWHT40111	Admire Wing	14" x 72" glass size (14.28" x 72.78" x .500")
520078-0BWHT40111	Admire 45° Wing Bracket Kit (one kit required per wing, contains two brackets)	11.50" x 9.00" x 3.00"
520079-0BWHT40111	Admire 60° Wing Bracket Kit (one kit required per wing, contains two brackets)	13.87" x 6.50" x 3.00"

Construction Specifications:

Nominal Length

- 60" or 72"

Frame Material

- Steel

Frame Finish

- White powder-coated

Mirror

- 1/4" Clear Mirror with Pencil Ground Edges & Category 1 Safety Backing

LED Lighting Specifications:

Color Temperature

- 3000K (soft white)

Brightness

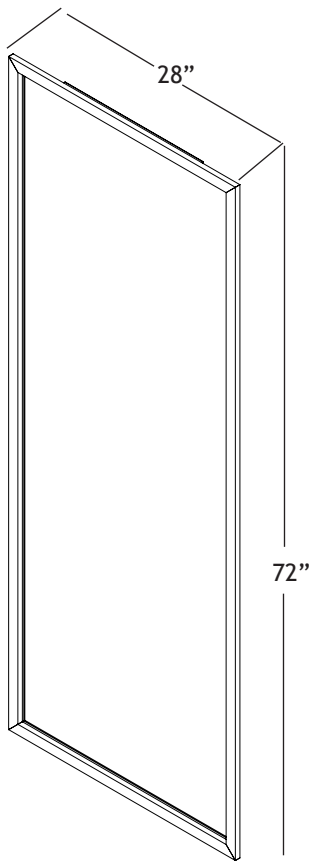
- 900 lumens
(Models with low light option are 400 lumens)

Color Rendering Index

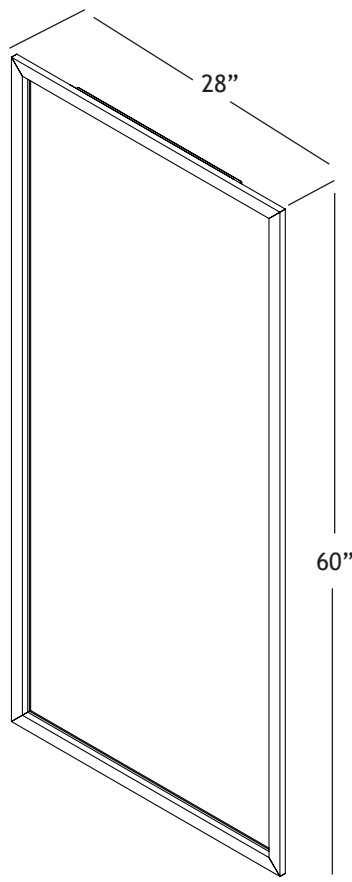
- 85+

Fitting Room Mirror Kits

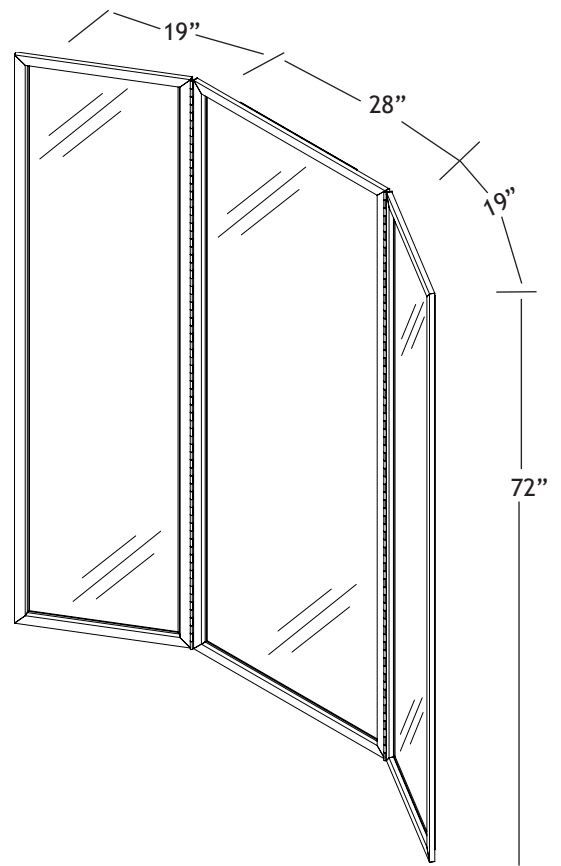
Model #	Description	Pane Dimensions
620083	Single Pane Mirror Kit	28" x 72"
620084	Single Pane Mirror Kit	28" x 60"
620085	Triple Pane Mirror Kit	19" (wing) x 28" x 72"



Model #620083
Single Pane Mirror Kit
28"x72"



Model #620084
Single Pane Mirror Kit
28"x60"



Model #620085
Triple Pane Mirror Kit
19"(wing)x28"x72"

MIRRKIT

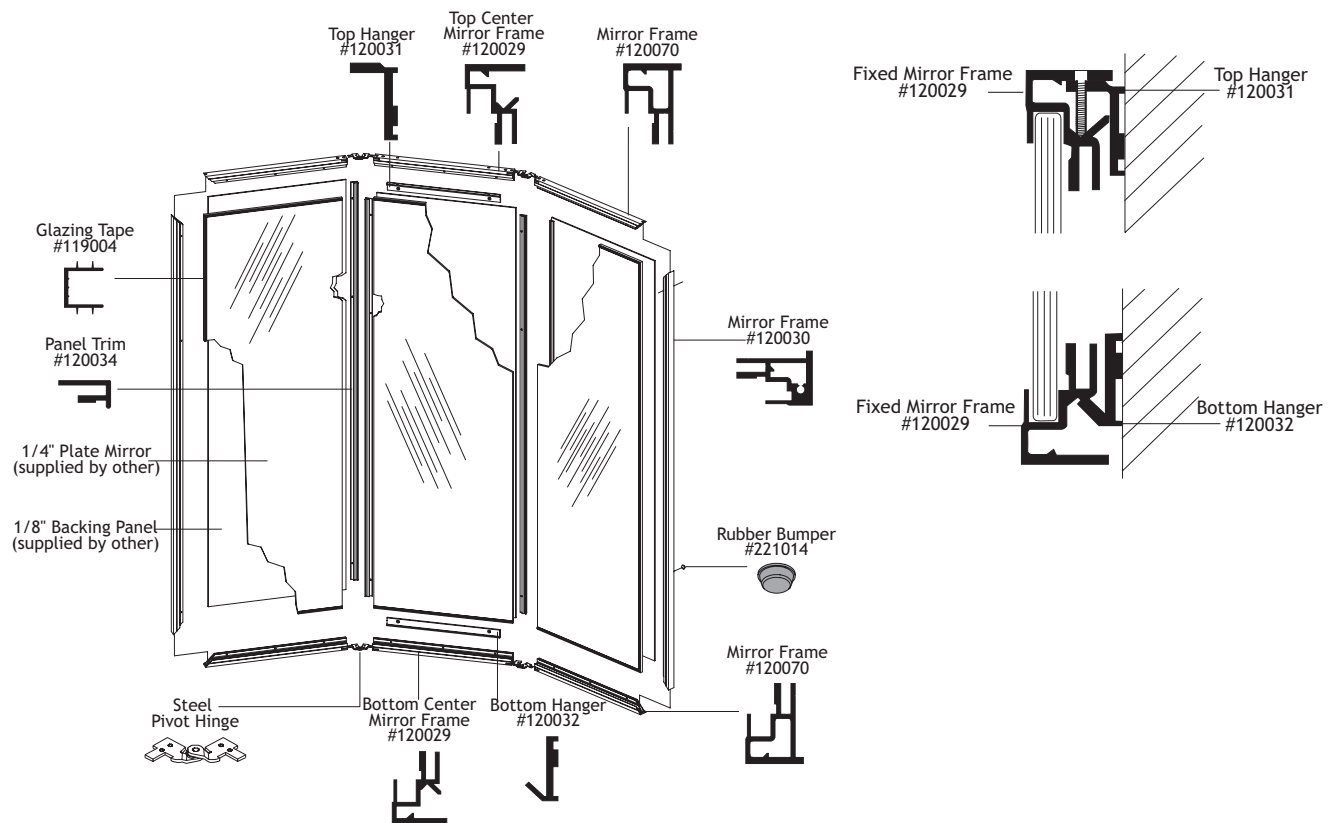
Tri-View Mirror Frames

Stylmark designed our Tri-View Mirror Frames to maximize mirror space without metal mullions to obstruct the view. Each wing opens silently at the touch of the finger and a discreet steel pivot hinge provides increased stability. Frames components can be fabricated to meet custom size requirements.

Ordering Tri-View Mirror

Model #	Description	Pane Dimensions
620033	Tri-View Mirror	Left Wing Width
		Right Wing Width
		Center Panel Width
		Overall Height


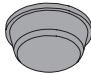
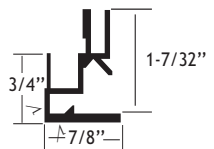
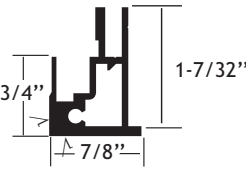
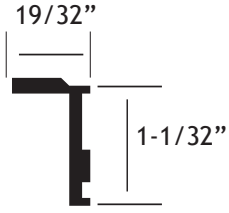
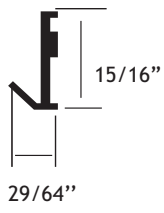
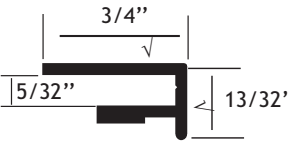
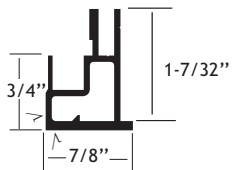
Part #620033 Tri-View Mirror Assembly



- Notes:**
- Wings should not exceed 22" in width or 45 pounds in weight (equivalent to a 22" x 84" wing panel glazed with a 1/4" mirror).
 - Extra lead time may be required for mirrors with wings exceeding 22" x 66".
 - Mirror wings should not exceed 45 lbs.
 - Contact Stylmark Customer Care for assistance with glass sizes.

TV01

Tri-View Mirror

<p>Part # 119004</p>	<p>Part # 221014</p>	<p>Part # 120029</p>
 <p>1/4" Black Vinyl Glazing Tape</p>	 <p>Grey Bumper</p>	 <p>Fixed Mirror Frame</p>
<p>Part # 120030**</p>	<p>Part # 120031*</p>	<p>Part # 120032*</p>
 <p>Tri-View Frame</p>	 <p>Top Hanger</p>	 <p>Bottom Hanger</p>
<p>Part # 120034</p>	<p>Part # 120070**</p>	
 <p>Panel Trim</p>	 <p>Tri-View Wing Horizontal</p>	

- Notes:**
- * Stock Length is 124"
 - ** Stock Length is 137"

√ = finished surface
 Drawings are not to scale

TV01

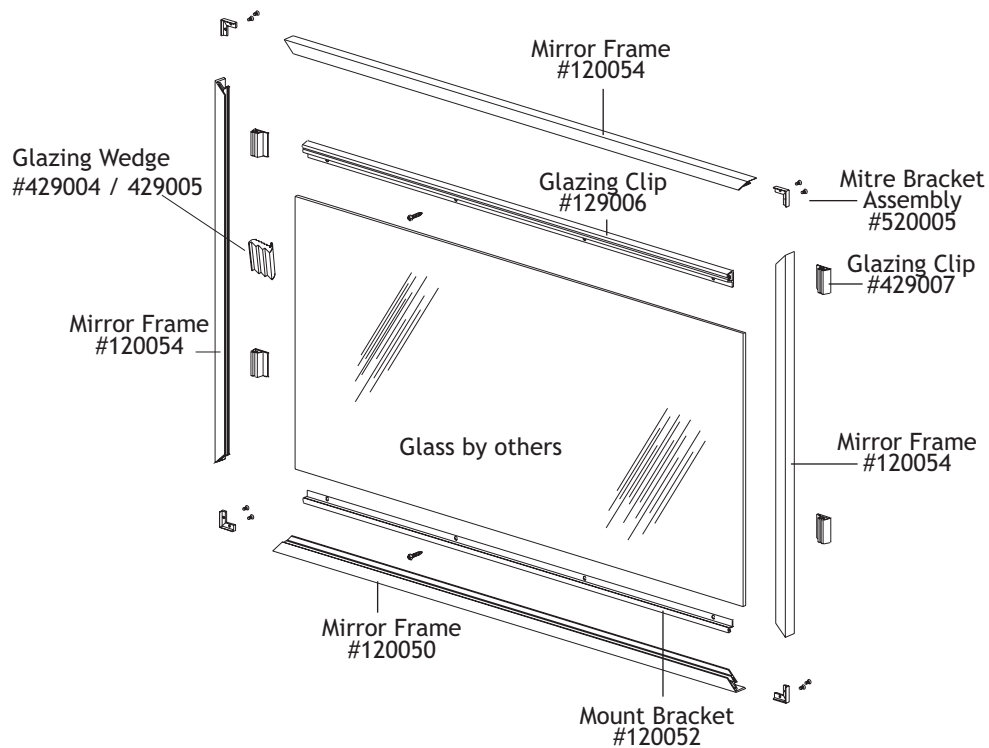
Mirror Frames

Stylmark’s mirror frames allow for easy assembly, glazing and installation on-site. When placed in the mounting bracket, the installed mirrors are theft-proof. Mirror frame components are sold in 12’ stock lengths or material may be fabricated to meet your specific requirements.

Ordering Mirror Frames

Model #	Description	Dimension: Width x Height
620062	Mirror Frame	Provide Mirror or Frame Dimensions

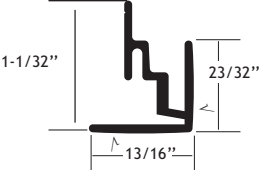
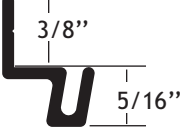
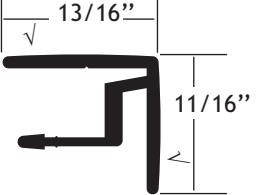


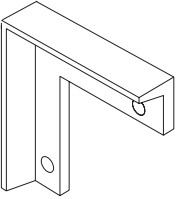
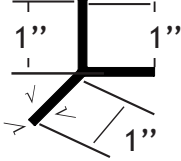
Part #620062 Mirror Frame Assembly



- Notes:**
- Frame size min / max dimensions are 10” x 144”
 - Mirror sizes will be provided on order acknowledgement from Stylmark
 - Mirror frame materials can be ordered in 12 foot lengths for customer fabrication

MIRR01

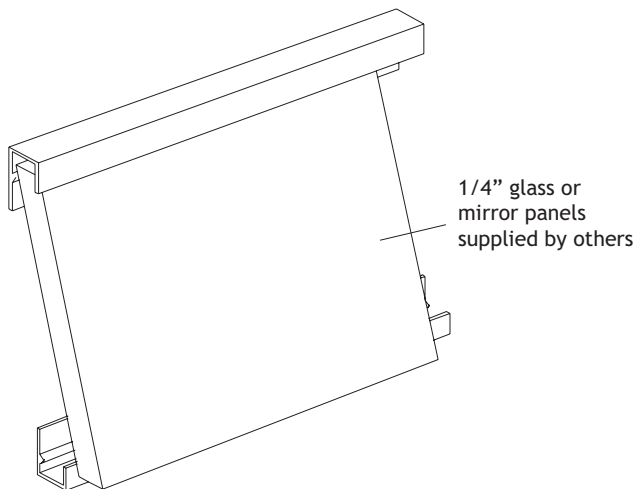
Mirror Frames

<p>Part # 120050</p>	<p>Part # 120052</p>	<p>Part # 120054</p>
 <p>Mirror Frame - Bottom</p>	 <p>Mount Bracket</p>	 <p>Mirror Frame</p>
<p>Part # 129006 (12") Part # 429007 (1-1/2")</p>	<p>Part # 429004 (1/4")</p>	<p>Part # 520005</p>
 <p>Plastic Glazing Clip</p>	 <p>Glazing Wedge</p>	 <p>Mitre Bracket Assembly</p>
<p>Part # 111068</p>		
 <p>Y Molding</p>		

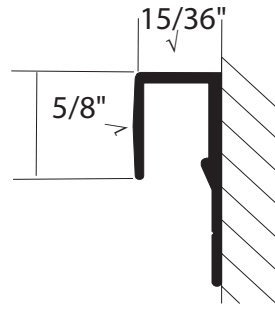
√ = finished surface
Drawings are not to scale

Mirror Trims

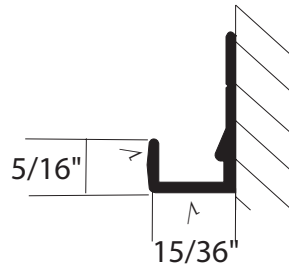
Stylmark's Mirror Trims offer beautiful options for protecting and trimming mirrors and mirrored walls. Our J-Molding may be used at the top and bottom of a floor to ceiling mirror application. When a horizontal or vertical accent is required, use one of our two Divider Trims. Mirror Trim products may be ordered in 12 foot stock lengths or pre-cut to your desired length.



To install, simply position the mirror into the top channel, and then lower it into the bottom channel.

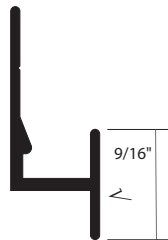


J-Molding
Part #420107: with holes
Part #120055: without holes

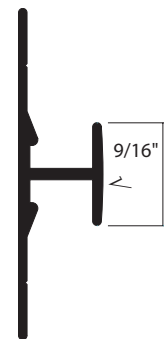


J-Molding
Part #420068: with holes
Part #120041: without holes

Mirror Divider Trim
Part #420108:
 with holes
Part #120057:
 without holes

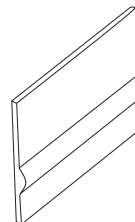


Mirror Divider Trim
Part #420109:
 with holes
Part #120061:
 without holes



Divider trims are supplied slotted with holes for adjustability and rapid installation.

Stylmark's J-Molding and Divider Trims feature a raised ridge to protect the mirror backing.



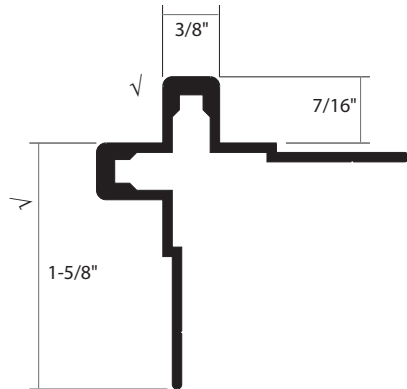
√ = finished surface
 Drawings are not to scale

Mirror Trims

Part #420110: Corner Column Trim with slots

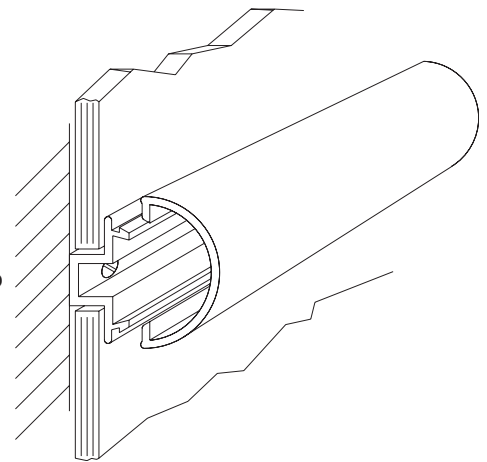
Part #120063: Corner Column Trim without slots

This Mirror Trim features slotting measuring $9/64'' \times 39/64''$. Slots are set $1''$ on center, beginning $18''$ from one end and continuing for another $66''$. It accepts Capital B-line (2300 series) and Crown Le-Mans series brackets (by others). This molding will not accept K.V. Bracket 160 or 161.



Part #410466: Recessed Trim Base

Design a mirrored wall with your favorite Stylmark Trim Maker shapes. By using this recessed trim base, a $1/4''$ mirror fits perfectly between your wall and our trim. See our Architectural Trim and Moldings brochure for choices of trims.

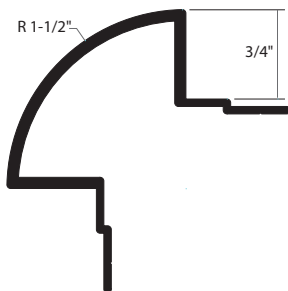


Part #410466

Part #120064

1-1/2" Radius Column Corner Trim

This Mirror Trim provides a radiused corner with stepped reveal and has been developed especially for $3/4''$ panels.

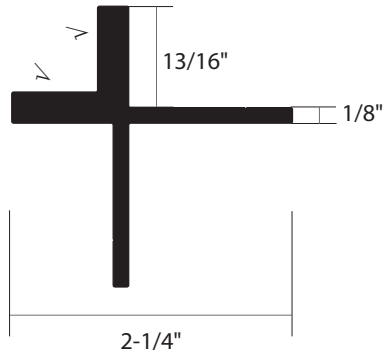


√ = finished surface
Drawings are not to scale

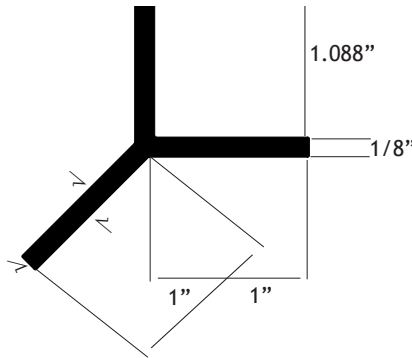
TV01

Mirror Trims

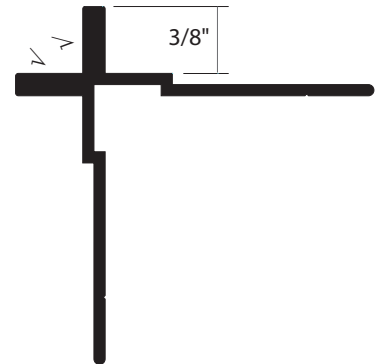
Part #110669
3/4" Column Edge



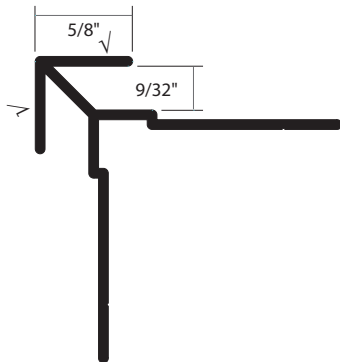
Part #111068
Y Molding



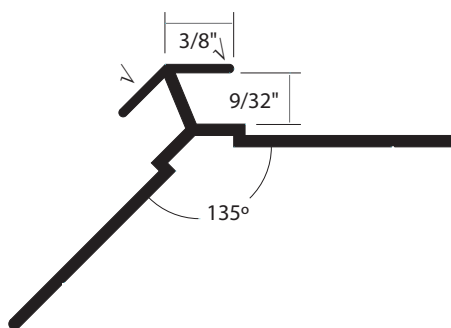
Part #120058
Column Edge Trim



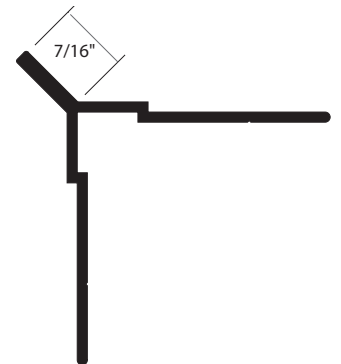
Part #120065
90° Column Trim



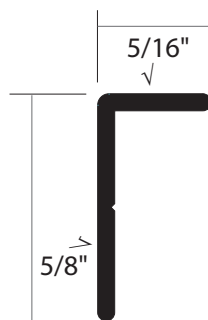
Part #120066
135° Column Trim



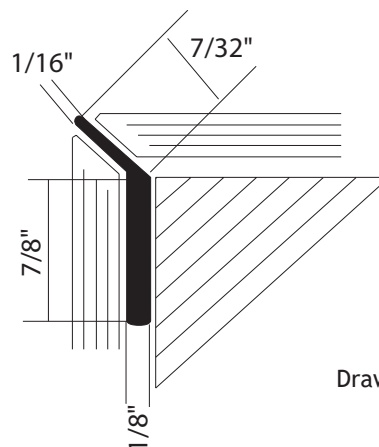
Part #120067
90° Outside Corner Trim



Part #120059
90° Outside Corner Trim



Part #120062
45° Column Trim



√ = finished surface
Drawings are not to scale

MIRRO1