



Glass & Glazing

WallMaker®

Create an unlimited variety of bright, beautiful and secure interior environments with the easy-to-install Stylmark WallMaker glass wall system. This versatile system consists of headers, sills, mullions and corner assemblies that allow you to create a multitude of glass wall configurations. With minimal parts and a simple snap-together assembly process, installation of WallMaker is fast and easy. WallMaker components can be anodized to meet all your color specifications.

Glass Clips

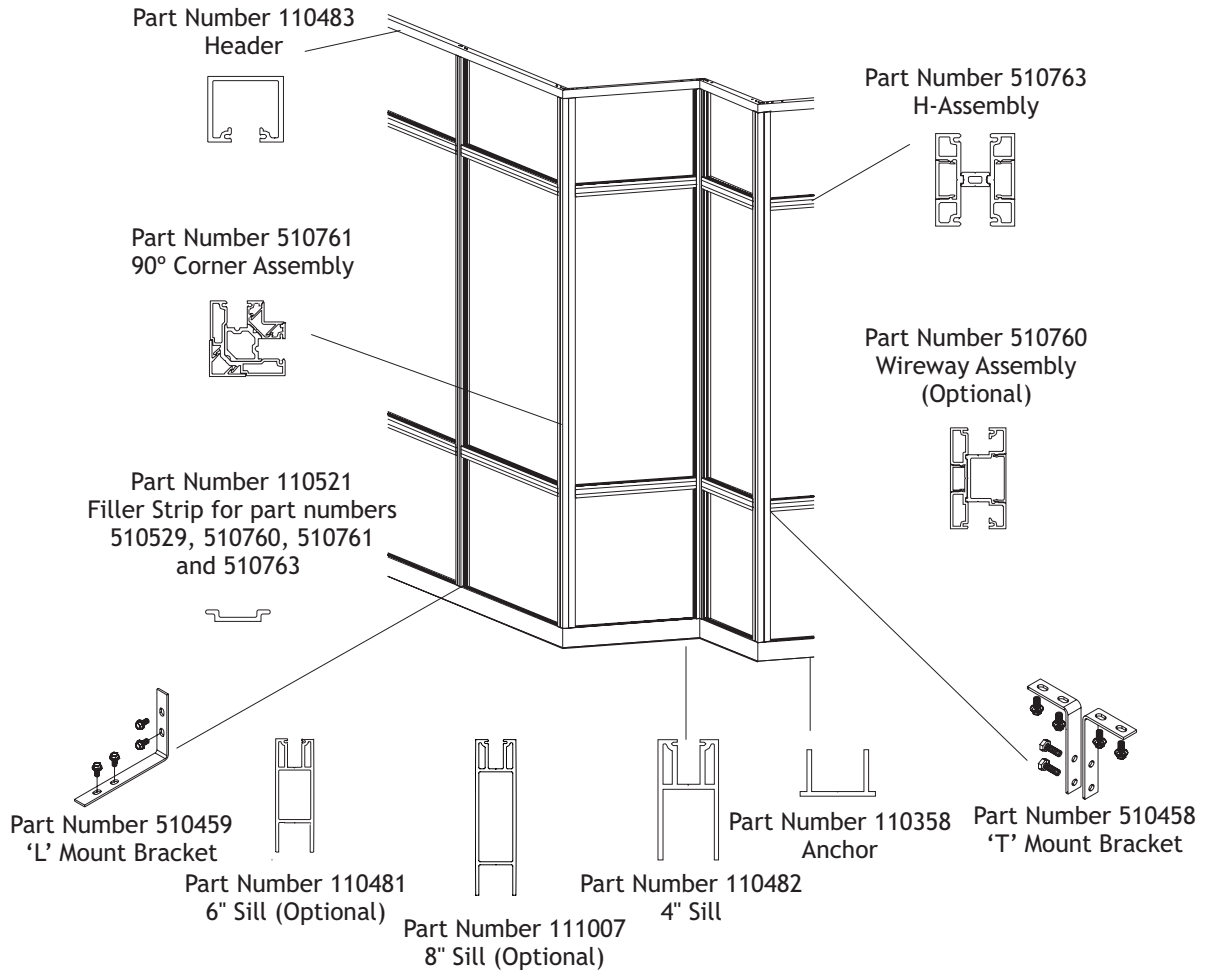
Stylmark's glass clips provide added strength to interior glass walls by holding the panels of glass in line with one another. The clean, simple lines of our clips also enhance the appearance of glass walls and they can be ordered in a variety of colors and finishes to complement your WallMaker system.

Porsa™ Framing System

Porsa™ is the only aluminum extrusion framing system that accepts 1/2" thick infill panels, making it ideal for merchandising systems, wall units and other applications requiring strength, stability and dependability.

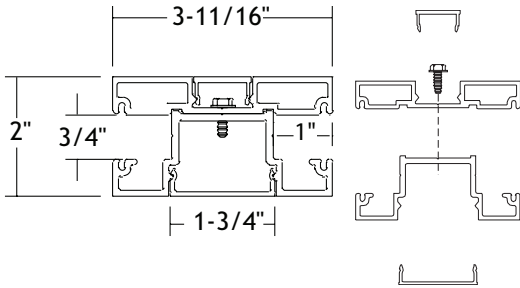
WallMaker	2
Additional WallMaker Extrusions	14
Glass Clips	16
Porsa™ Framing System	20

Mall Front Assemblies

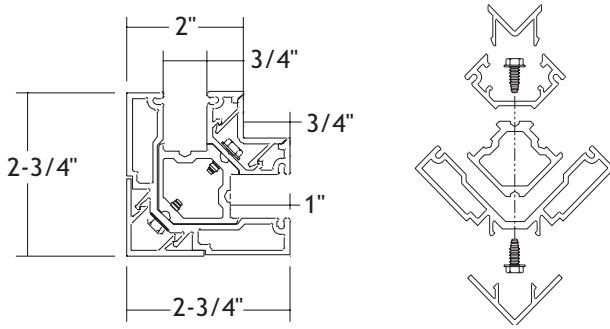


Mall Front Assemblies

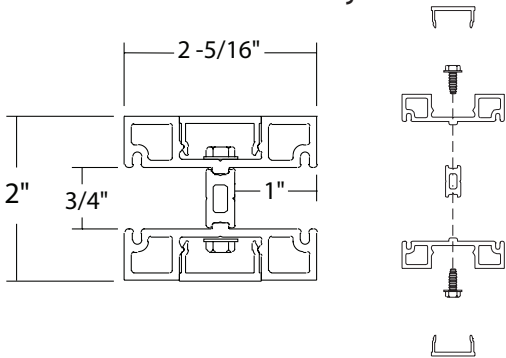
Part #510760
Wireway Assembly



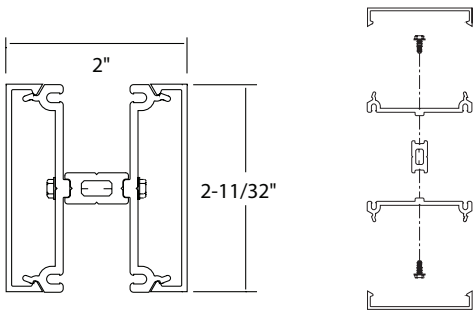
Part #510761
90° Corner Assembly



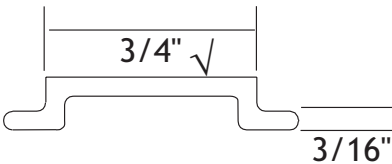
Part #510763
H-Assembly



Part #510529
Smooth H-Assembly



Part #110521
Filler Strip for part numbers 510529,
510760, 510761 and 510763



√ = finished surface
Drawings are not to scale

Glass & Glazing

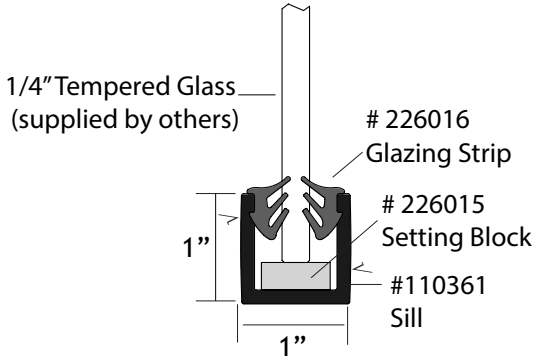
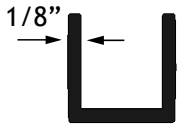
Part #	Description	1/4"	3/8"	1/2"	5/8"	3/4"
110215	2-Way 180° Vertical	226016	226021	226013	N/A	N/A
110361	1" x 1" Sill	226016	226021	226013	N/A	N/A
110434	2-9/16" x 2-1/2" Header	N/A	N/A	N/A	226021 & 226022	226024 & 226025
110481	2" x 6" Sill	226016	226021 & 226022	226024 & 226025	N/A	N/A
110482	2" x 4" Sill	226016	226021 & 226022	226024 & 226025	N/A	N/A
110483	2" x 1-3/4" Header	226016	226021 & 226022	226024 & 226025	N/A	N/A
110698*	4" x 1-1/2" Sill	226021 & 226022	226024 & 226025	N/A	N/A	N/A
110699*	1-1/2" x 1-3/4" H Channel	226021 & 226022	226024 & 226025	N/A	N/A	N/A
110700*	1-1/2" x 1-3/4" Top Channel	226021 & 226022	226024 & 226025	N/A	N/A	N/A
111007	2" x 8" Sill	226016	226021 & 226022	226024 & 226025	N/A	N/A
111010	1" x 1-3/4" Header with Groove	226016	226021	226013	N/A	N/A
111011	2-1/2" x 8" Sill	N/A	N/A	N/A	226021 & 226022	226024 & 226025
111012	1" x 2" Flanged Header with Groove	226016	226021	226013	N/A	N/A
111013	1" x 2" Header with Groove	226016	226021	226013	N/A	N/A
111014	2-1/2" x 6" Sill	N/A	N/A	N/A	226021 & 226022	226024 & 226025
111015	2-1/2" x 4" Sill	N/A	N/A	N/A	226021 & 226022	226024 & 226025
111089	1-1/4" x 2" Header	N/A	N/A	N/A	226021	226013
111091	1-1/4" x 1" Sill	N/A	N/A	N/A	226021	226013

Notes: • *Part #110698, #110699, #110700 stock length is 120".

#110361

1" x 1" Sill

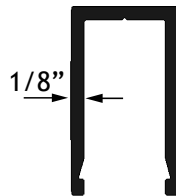
1/4" Glass



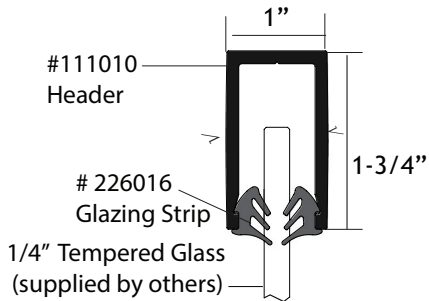
#111010

1" x 1-3/4" Header

Header

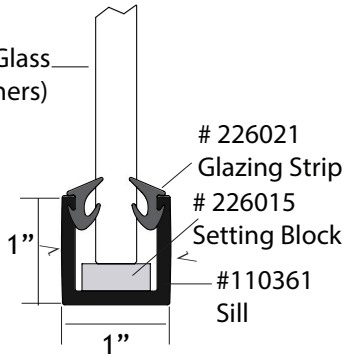


1/4" Glass

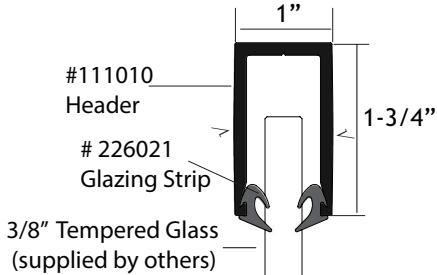


3/8" Glass

3/8" Tempered Glass (supplied by others)

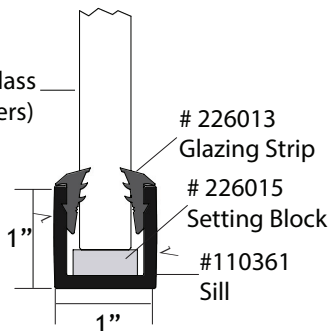


3/8" Glass

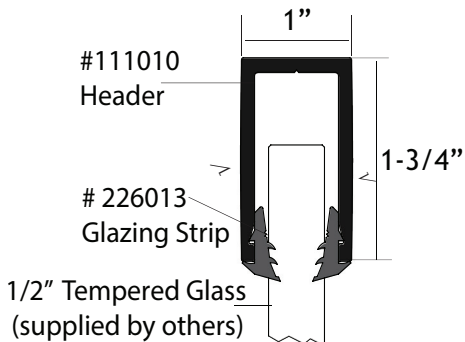


1/2" Glass

1/2" Tempered Glass (supplied by others)



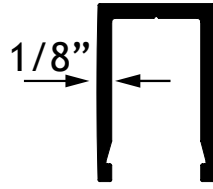
1/2" Glass



- Notes:**
- Drawings are not to scale
 - Items listed above must be purchased individually

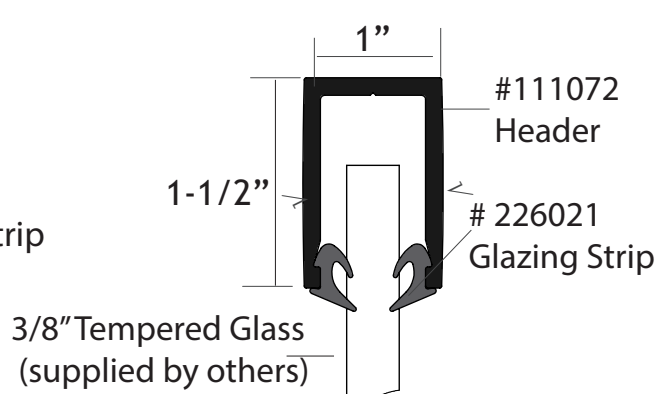
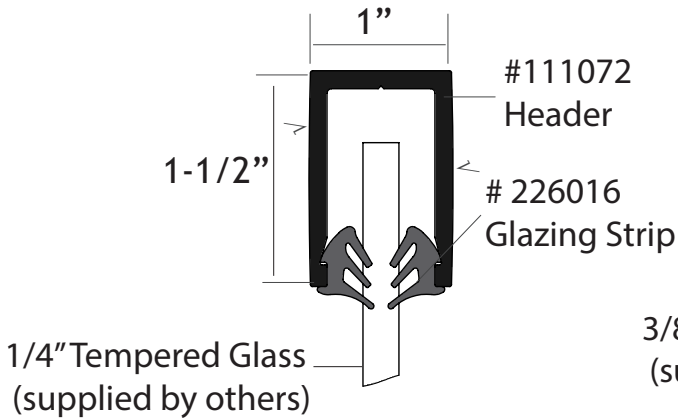
√ = finished surface
Drawings are not to scale

#111072 1" x 1-1/2" Header

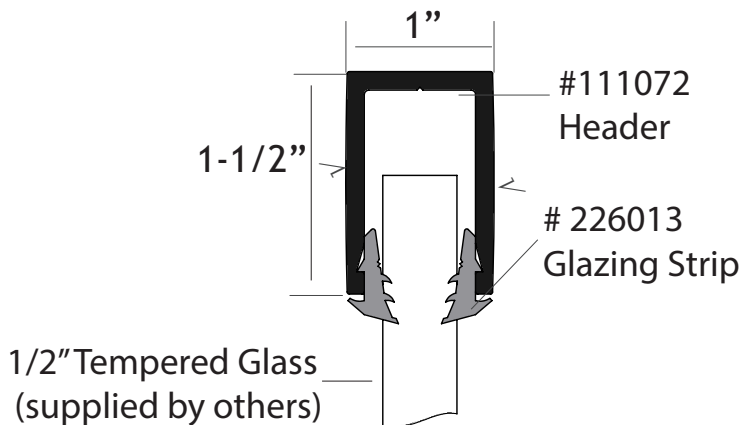


1/4" Glass

3/8" Glass



1/2" Glass

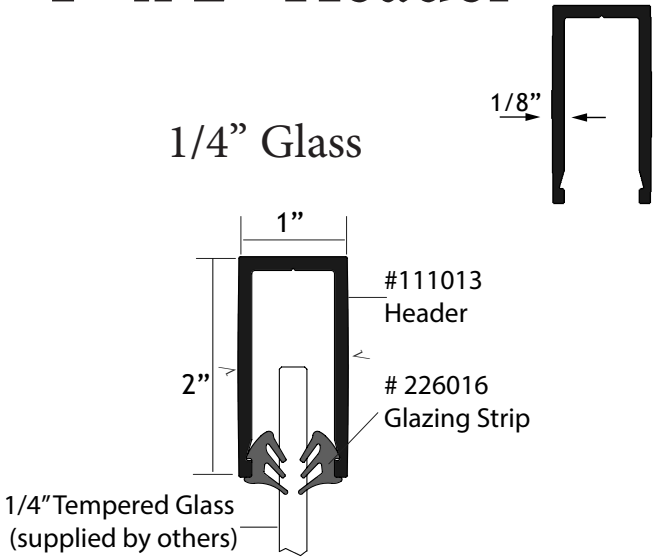


Notes: • Drawings are not to scale
• Items listed above must be purchased individually

√ = finished surface
Drawings are not to scale

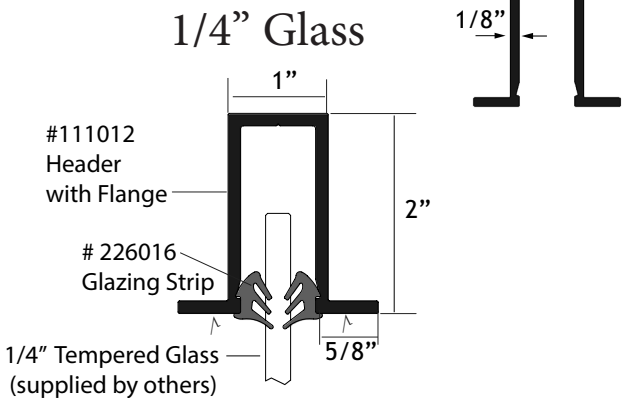
#111013 (formerly #110360)

1" x 2" Header

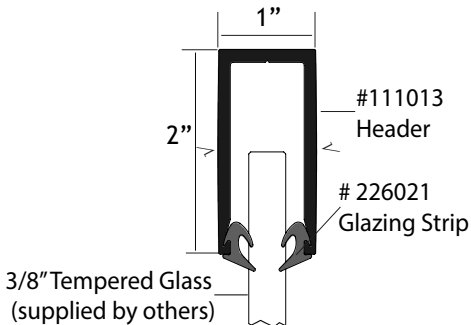


#111012 (formerly #110359)

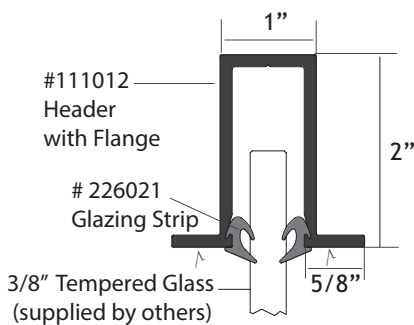
1" x 2" Header (with flange)



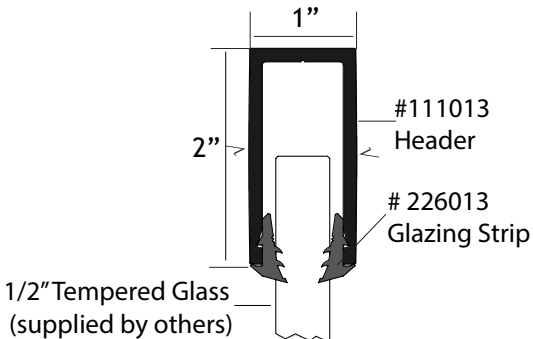
3/8" Glass



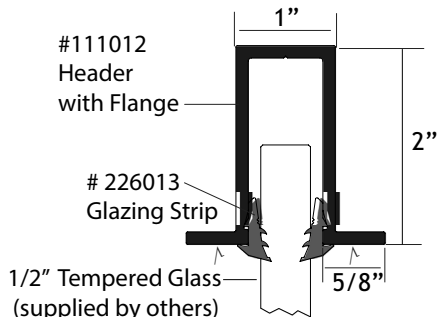
3/8" Glass



1/2" Glass



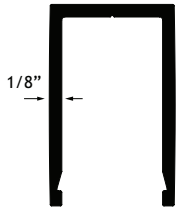
1/2" Glass



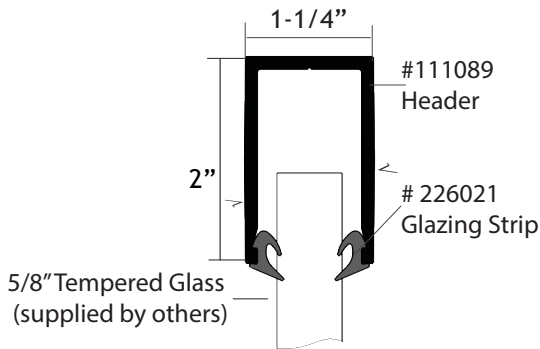
Notes: • Drawings are not to scale
• Items listed above must be purchased individually

√ = finished surface
Drawings are not to scale

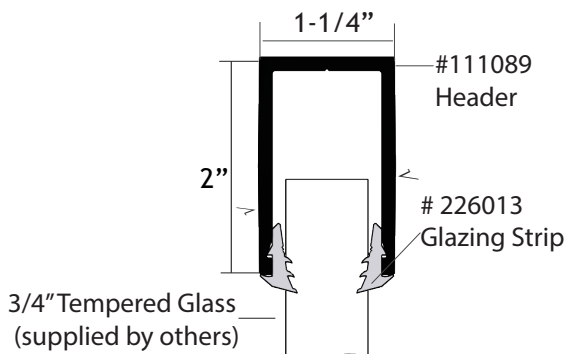
#111089 1-1/4" x 2" Header



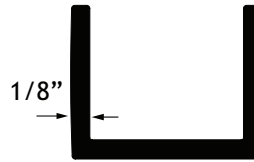
5/8" Glass



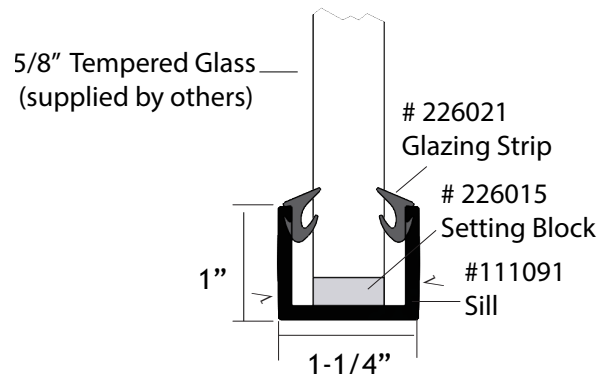
3/4" Glass



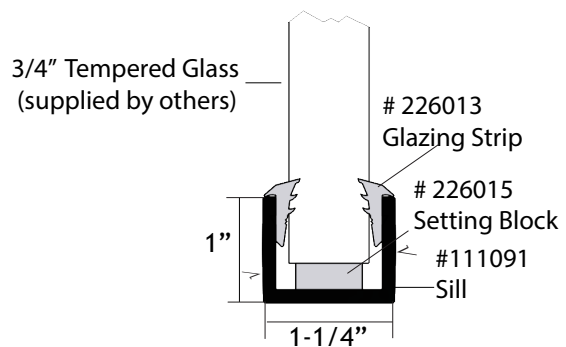
#111091 1-1/4" x 1" Sill



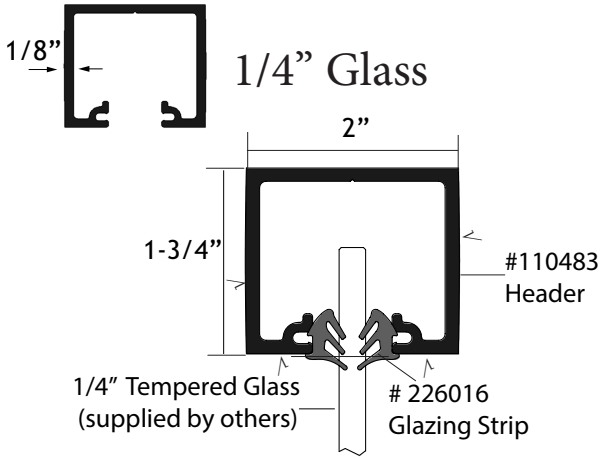
5/8" Glass



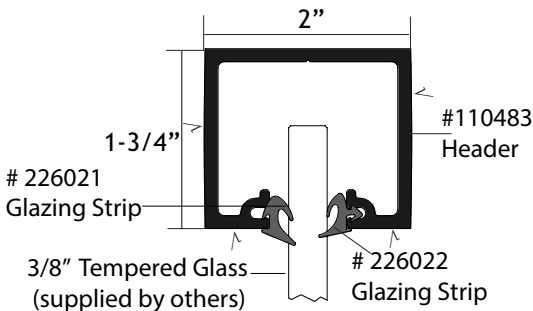
3/4" Glass



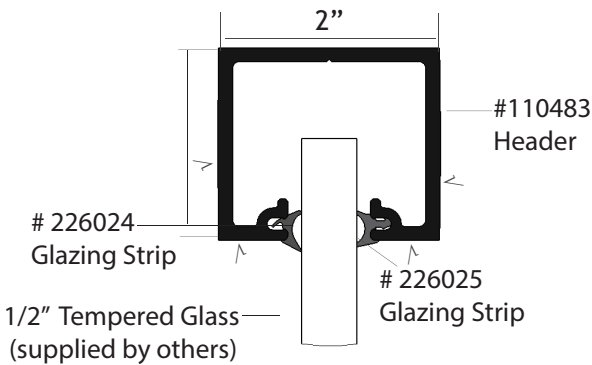
#110483 2" x 1-3/4" Header



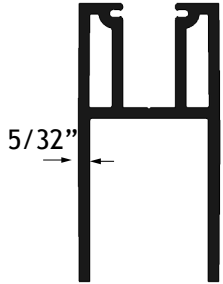
3/8" Glass



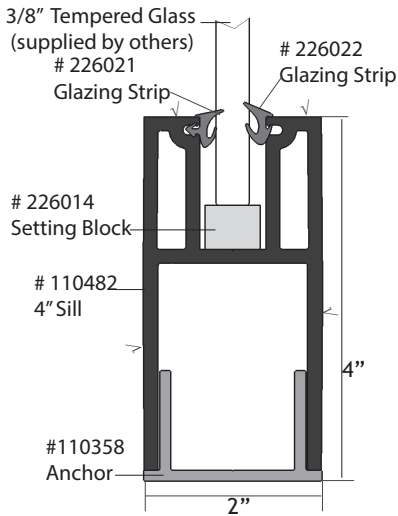
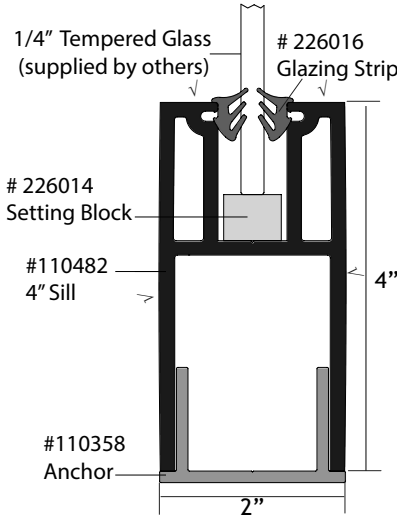
1/2" Glass



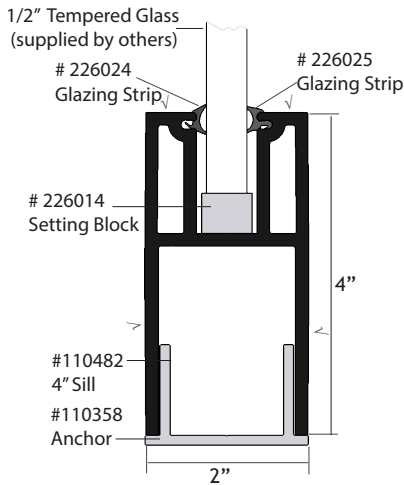
#110482 2" x 4" Sills



1/4" Glass



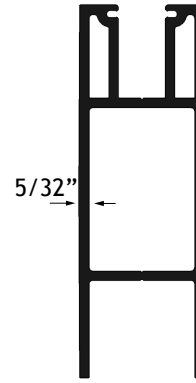
1/2" Glass



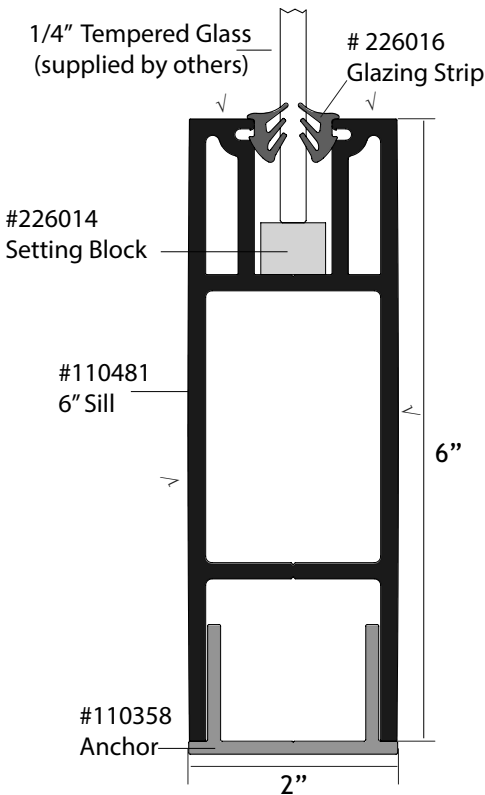
Notes: • Items listed above must be purchased individually
 • Stylmark offers two setting block options: 1/4" Part #226015 & 1/2" Part #226014 - the installer is responsible for setting block selection depending on application - setting blocks in the illustrations are for reference only

√ = finished surface
 Drawings are not to scale

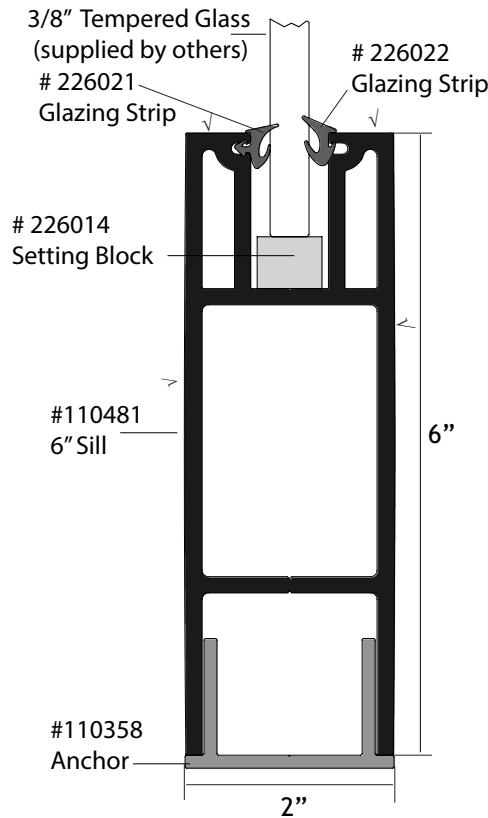
#110481 2" x 6" Sills



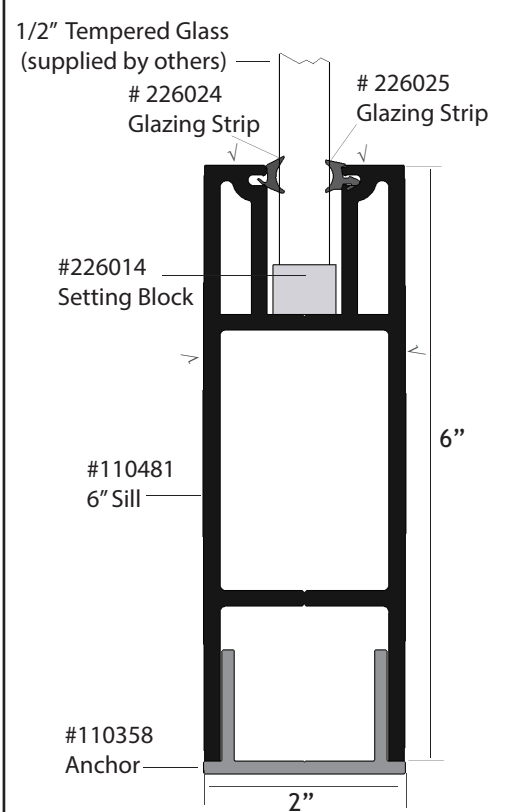
1/4" Glass



3/8" Glass



1/2" Glass

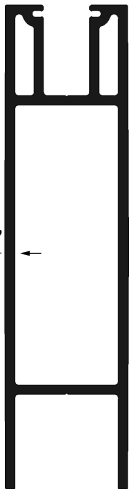


Notes:

- Items listed above must be purchased individually
- Stylmark offers two setting block options: 1/4" Part #226015 & 1/2" Part #226014 - the installer is responsible for setting block selection depending on application - setting blocks in the illustrations are for reference only

√ = finished surface
 Drawings are not to scale

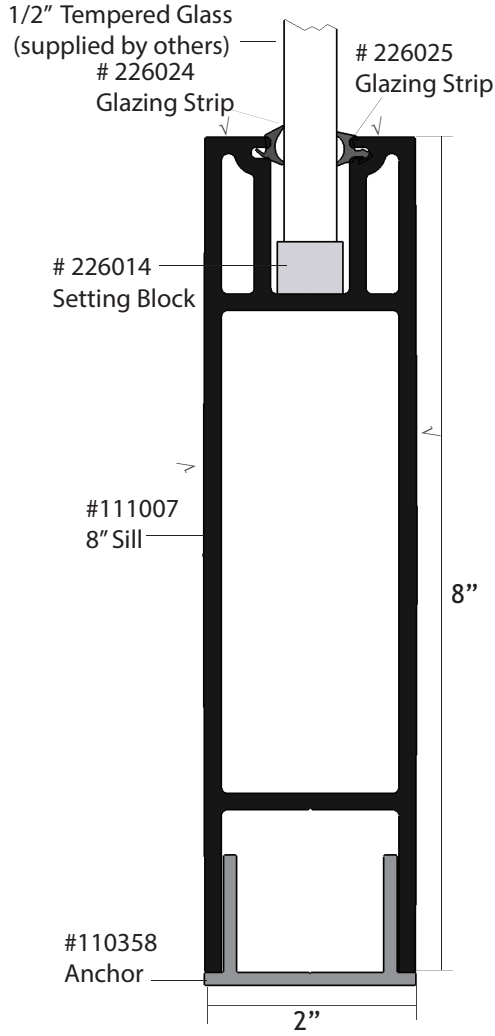
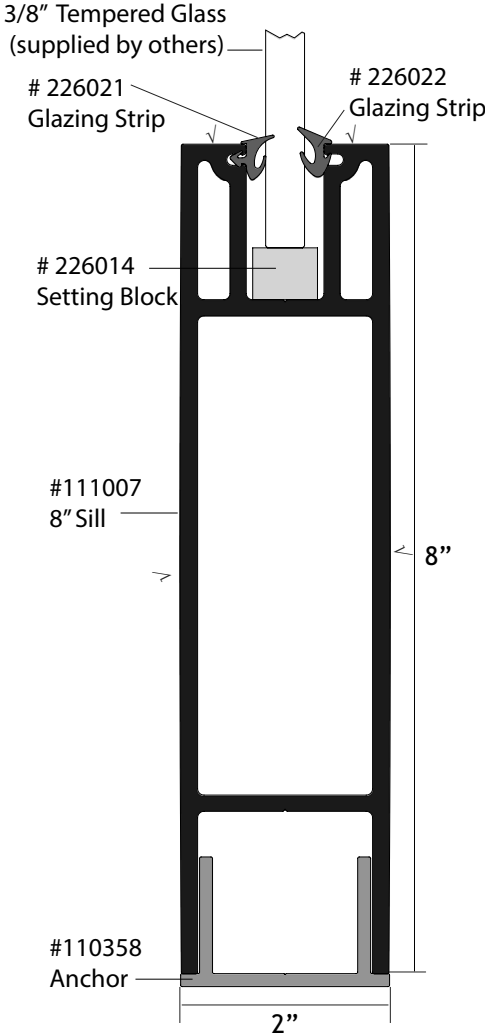
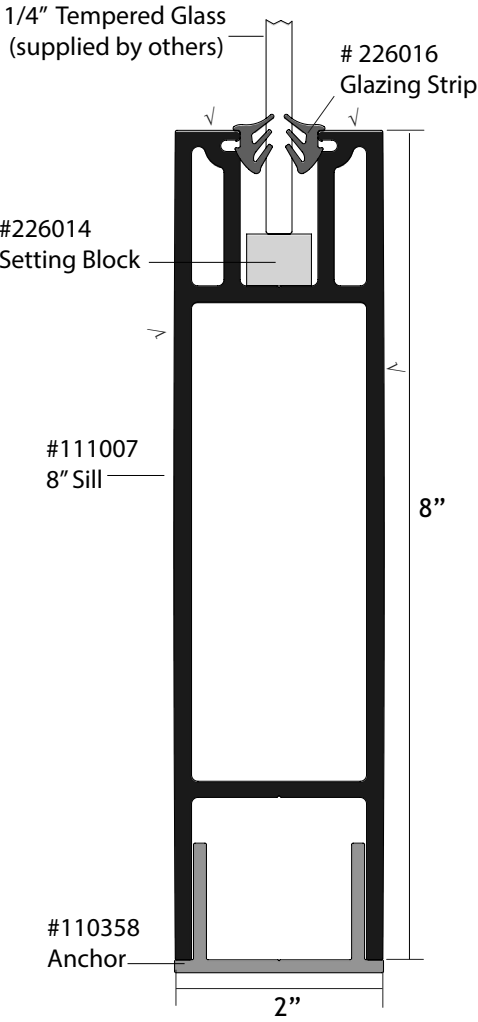
#111007 2" x 8" Sills



1/4" Glass

3/8" Glass

1/2" Glass

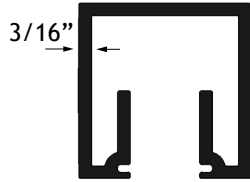


Notes:

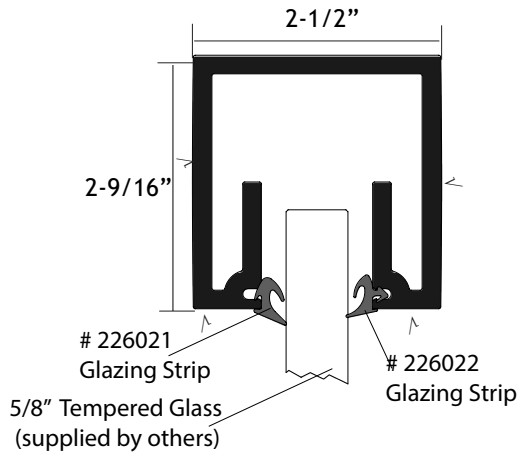
- Items listed above must be purchased individually
- Stylmark offers two setting block options: 1/4" Part #226015 & 1/2" Part #226014 - the installer is responsible for setting block selection depending on application - setting blocks in the illustrations are for reference only

√ = finished surface
 Drawings are not to scale

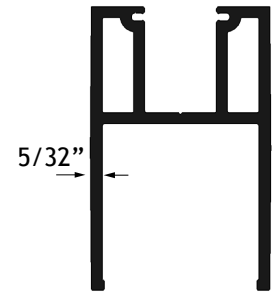
#110434
2-1/2" x 2-9/16"
Header



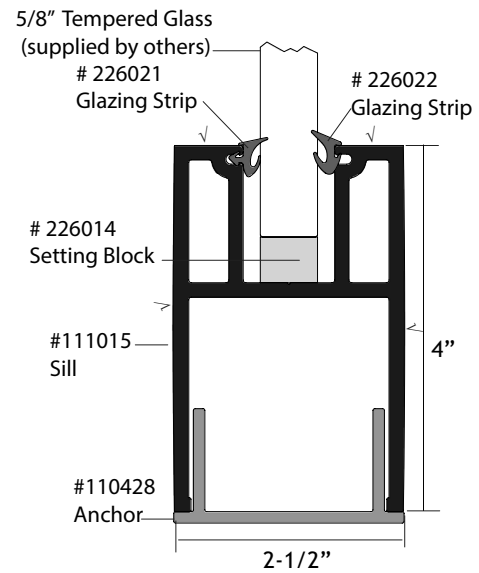
5/8" Glass



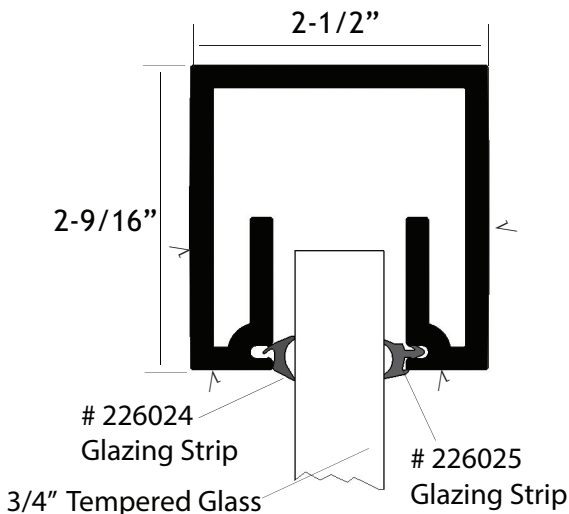
#111015
2-1/2" x 4"
Sills



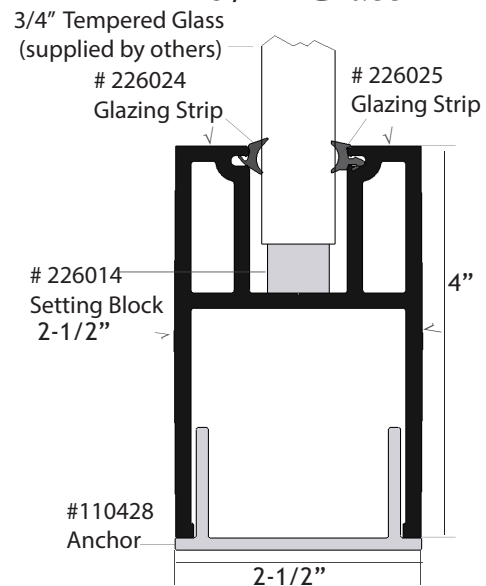
5/8" Glass



3/4" Glass



3/4" Glass

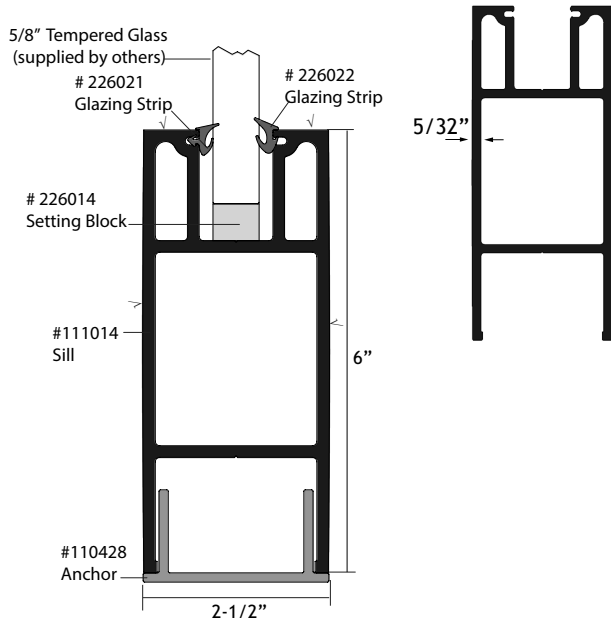


Notes: • Items listed above must be purchased individually
 • Stylmark offers two setting block options: 1/4" Part #226015 & 1/2" Part #226014 - the installer is responsible for setting block selection depending on application - setting blocks in the illustrations are for reference only

√ = finished surface
 Drawings are not to scale

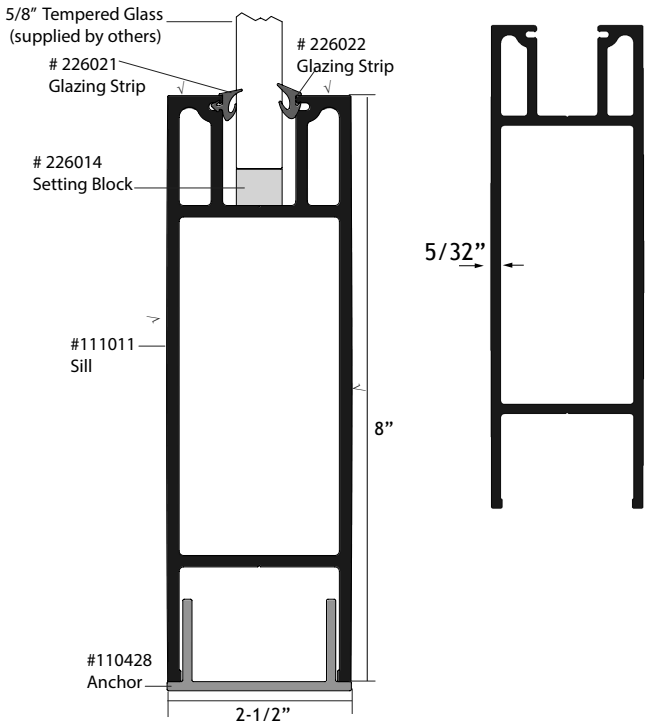
#111014 2-1/2" x 6" Sills

5/8" Glass

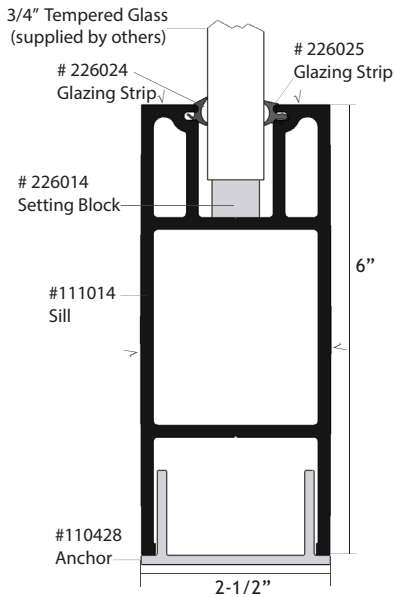


#111011 2-1/2" x 8" Sills

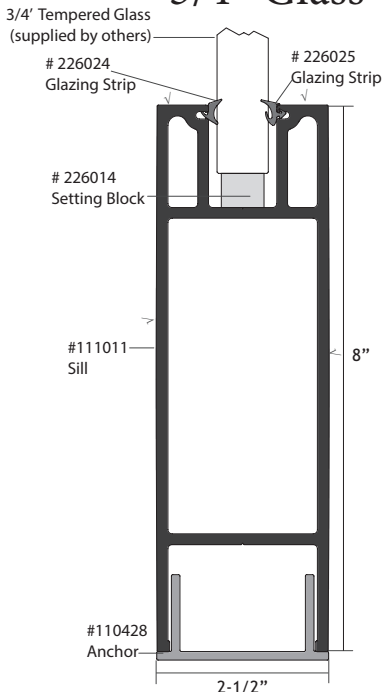
5/8" Glass



3/4" Glass



3/4" Glass

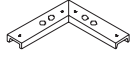


Notes: • Items listed above must be purchased individually
 • Stylmark offers two setting block options: 1/4" Part #226015 & 1/2" Part #226014 - the installer is responsible for setting block selection depending on application - setting blocks in the illustrations are for reference only

√ = finished surface
 Drawings are not to scale

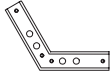
Horizontal Brackets

(for use with 2" and 2-1/2" wide WallMaker extrusions)



90 Degree Bracket

With Screws: 510274
Without Screws: 310354-01



120 Degree Bracket

With Screws: 510540
Without Screws: 310354-03



135 Degree Bracket

With Screws: 510440
Without Screws: 310354-02

Assembly Bracket Kits



"T" Mount Bracket

Part Number: 510458



'L' Mount Bracket

Part Number: 510459

Glazing

Part #226013
1/2" Glazing Vinyl
(push in)



Part #226016
1/4" Glazing Vinyl
(push in)



Part #226021
3/8" Glazing Vinyl
(push in)



Part #226022
3/8" Glazing Vinyl
(slide in)



Part #226024
1/2" Glazing Vinyl
(push in)



Part #226025
1/2" Glazing Vinyl
(slide in)

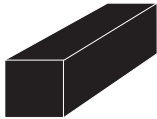


Setting Blocks

1/4" Setting Block
Part #226015
 1/4" x 5/8" x 4"
 Setting Block

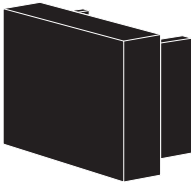


1/2" Setting Block
Part #226014
 1/2" x 5/8" x 4"
 Setting Block

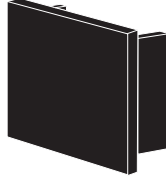


End Caps

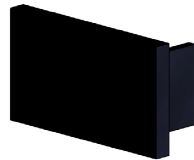
1/2" Endcap



1/8" Endcap



5/32" Endcap

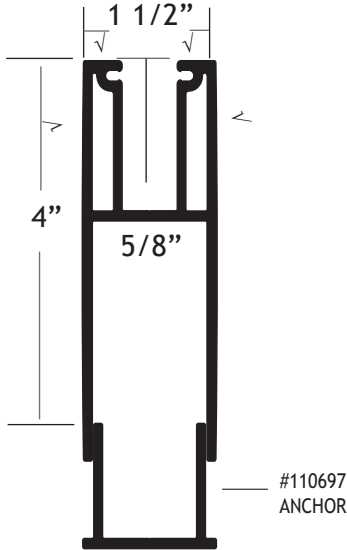


Part #	Description	1/8" End Cap	1/2" End Cap	5/32" End Cap
110215	2-Way 180° Vertical	N/A	N/A	N/A
110361	1" x 1" WallMaker Sil	410413	N/A	N/A
110434	2-1/2" x 2-9/16" Header	410896	N/A	N/A
110481	2" x 6" Sill	410545	410544	N/A
110482	2" x 4" Sill	410367	410543	N/A
110483	2" x 1-3/4" Header	410366	410542	N/A
110698*	4" x 1-1/2" WallMaker Sill	N/A	N/A	N/A
110699*	1-1/2" x 1-3/4" H Channel	N/A	N/A	N/A
110700*	1-1/2" x 1-3/4" Top Channel	N/A	N/A	N/A
111007	2" x 8" WallMaker Sill	412434	N/A	N/A
111010	1" x 1-3/4" Header with Groove	N/A	N/A	412443
111011	2-1/2" x 8" WallMaker Sill	412435	N/A	N/A
111012	1" x 2" Flanged Header with Groove	410412	N/A	N/A
111013	1" x 2" Header with Groove	410412	N/A	N/A
111014	2-1/2" x 6" WallMaker Sill	412436	N/A	N/A
111015	2-1/2" x 4" WallMaker Sill	412437	N/A	N/A
111089	1-1/4" x 2" Header	N/A	N/A	412456
111091	1-1/4" x 1" Sill	N/A	N/A	412457

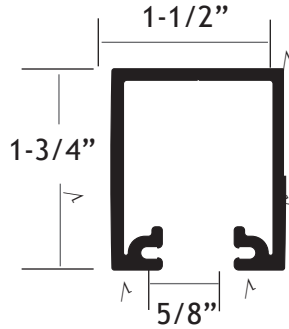
- Notes:**
- See following pages for specific profile information
 - Drawings are not to scale
 - *Part #110698, #110699, #110700 stock length is 120".

Additional WallMaker Extrusions

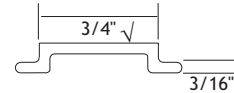
Part #110698 Sill*
Part #110697 Anchor*
 (For use with 1/4" or 3/8" glass)
 (Vinyl options - #226021 or #226024)



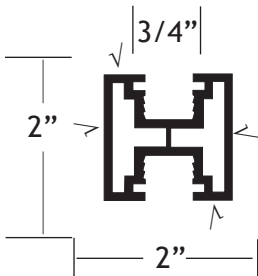
Part #110700*
Header
 (For use with 1/4" or 3/8" glass) (Vinyl options 226021 & 226022 or 226024 & 226025)



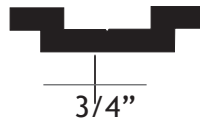
Part #110521
 Filler Strip for part numbers
 110481, 110482, 110483 & 111007



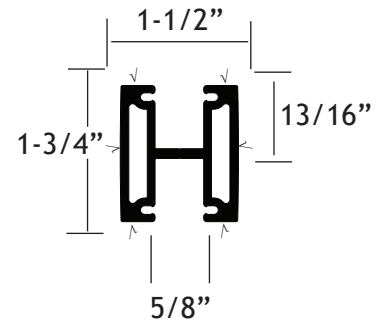
Part #110215
Vertical Post
 (Vinyl options: 226013 1/2" glass,
 226021 3/8" glass &
 226016 1/4" glass)



Part #110194
 Filler Strip for
 # 110215



Part #110699*
Vertical Post
 (For use with 1/4" or 3/8" glass)
 (Vinyl options 226021 & 226022 or
 226024 & 226025)



Notes: • *Part #110697, 110698, 110699 and #110700 stock length is 120".

√ = finished surface
 Drawings are not to scale

Additional WallMaker Extrusions

Headers and Vertical Posts

GLASS SIZES FOR WALLMAKER	
SILL SIZE	GLASS SIZE
4"	4 1/2" LESS THAN OVERALL HEIGHT
6"	6 1/2" LESS THAN OVERALL HEIGHT

Notes: • *Part #110700 and 110699 stock length is 120".

√ = finished surface
Drawings are not to scale

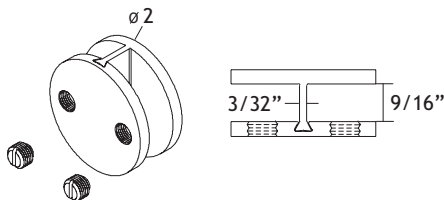
Glass Clips

Stylmark's Glass Clips provide added strength to interior glass walls by holding panels of glass in line with one another. These durable anodized aluminum clips provide decorative accents and accommodate 3/8", 1/2", 5/8" and 3/4" thick glass panels. The clips install easily with screws and plastic insulators to protect the glass from fractures or chips. Pair Stylmark Glass Clips with our WallMaker system to help meet city building codes and maintain a cohesive, high-quality look.

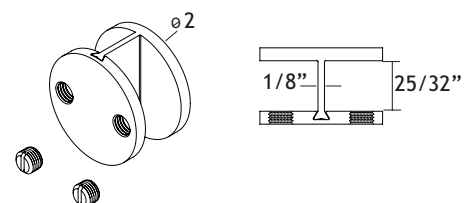
Ordering Glass Clips			
Style	Type	3/8" & 1/2" Glass Thickness	5/8" & 3/4" Glass Thickness
		Part Number	Part Number
Round	180°	510572	511181
	135°	510586	511180
	90°	510584	511179
	90° Wall	510582	511182
Square	180°	510571	511188
	135°	510587	511187
	90°	510585	511186
	90° Wall	510583	511189
Rectangular	180°	510955	511184
	135°	232045	511183
	90°	511008	511185

Round Glass Clips - 180°

Part #510572
 Round - 180° Clip
 (for 3/8" and 1/2" Glass Panels)



Part #511181
 Round - 180° Clip
 (for 5/8" and 3/4" Glass Panels)

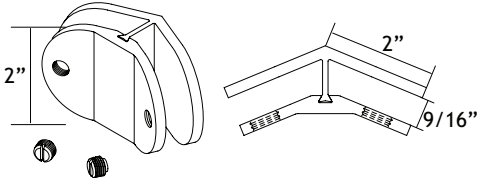


Drawings are not to scale

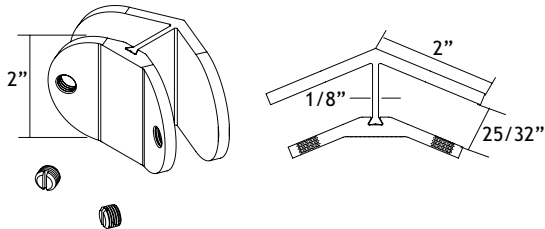
Glass Clips

Round Glass Clips - 135°

Part #510586
Round - 135° Clip
(for 3/8" and 1/2" Glass Panels)

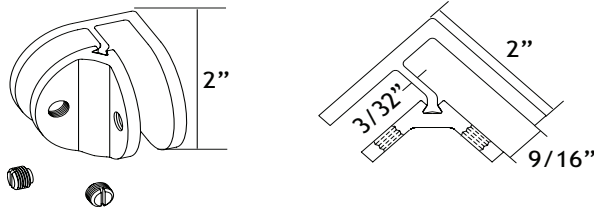


Part #511180
Round - 135° Clip
(for 5/8" and 3/4" Glass Panels)

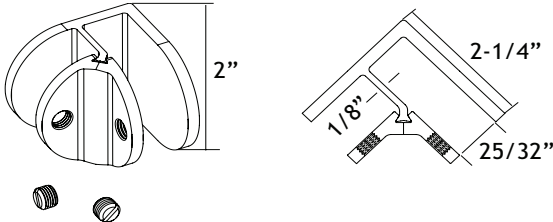


Round Glass Clips - 90°

Part #510584
Round - 90° Clip
(for 3/8" and 1/2" Glass Panels)

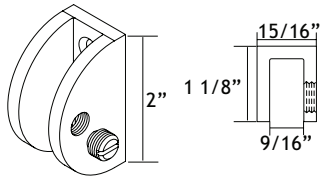


Part #511179
Round - 90° Clip
(for 5/8" and 3/4" Glass Panels)

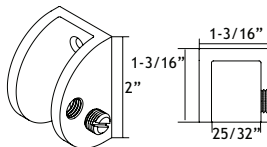


Round Glass Clips - 90° Wall Mount

Part #510582
Round - 90° Wall Mount
(for 3/8" and 1/2" Glass Panels)



Part #511182
Round - 90° Wall Mount
(for 5/8" and 3/4" Glass Panels)

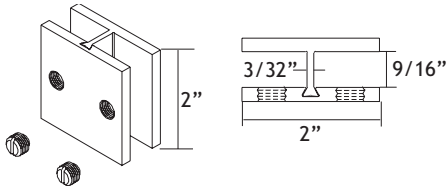


Drawings are not to scale

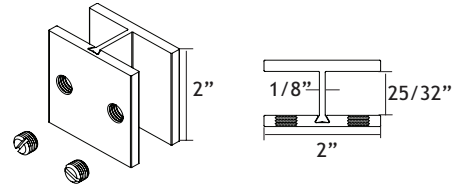
Glass Clips

Square Glass Clips - 180°

Part #510571
Square - 180° Clip
(for 3/8" and 1/2" Glass Panels)

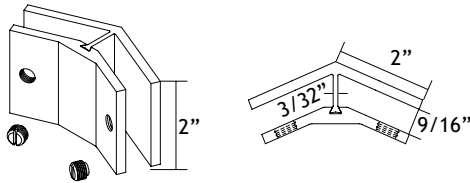


Part #511188
Square - 180° Clip
(for 5/8" and 3/4" Glass Panels)

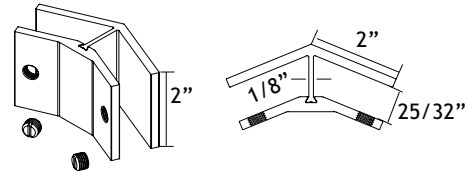


Square Glass Clips - 135°

Part #510587
Square - 135° Clip
(for 3/8" and 1/2" Glass Panels)

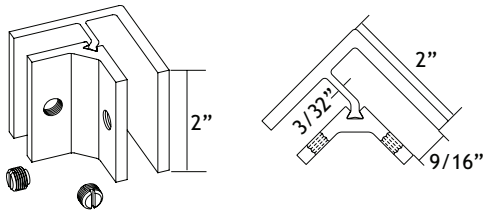


Part #511187
Square - 135° Clip
(for 5/8" and 3/4" Glass Panels)

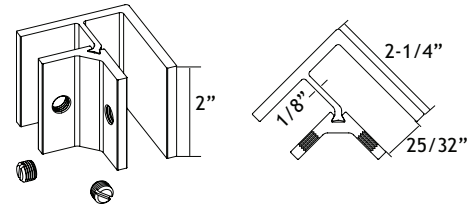


Square Glass Clips - 90°

Part #510585
Square - 90° Clip
(for 3/8" and 1/2" Glass Panels)

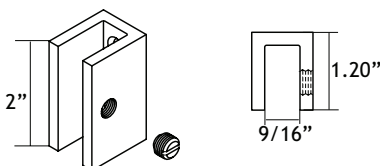


Part #511186
Square - 90° Clip
(for 5/8" and 3/4" Glass Panels)

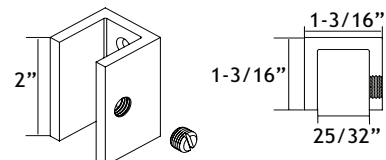


Square Glass Clips - 90° Wall Mount

Part #510583
Square - 90° Wall Mount
(for 3/8" and 1/2" Glass Panels)



Part #511189
Square - 90° Wall Mount
(for 5/8" and 3/4" Glass Panels)

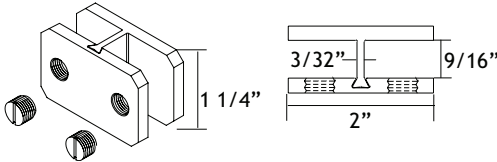


Drawings are not to scale

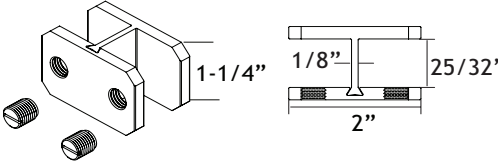
Glass Clips

Rectangular Glass Clips

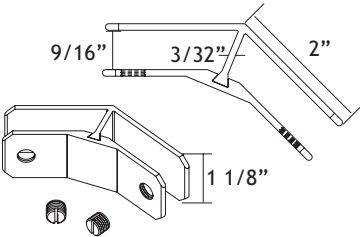
Part #510955
Rectangular - 180° Clip
(for 3/8" and 1/2" Glass Panels)



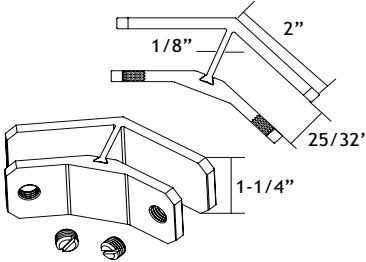
Part #511184
Rectangular - 180° Clip
(for 5/8" and 3/4" Glass Panels)



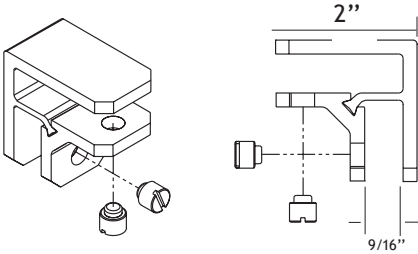
Part #232045
Rectangular - 135° Clip
(for 3/8" and 1/2" Glass Panels)



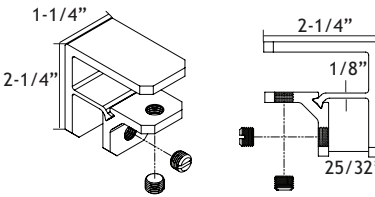
Part #511183
Rectangular - 135° Clip
(for 5/8" and 3/4" Glass Panels)



Part #511008
Rectangular - 90° Clip
(for 3/8" and 1/2" Glass Panels)



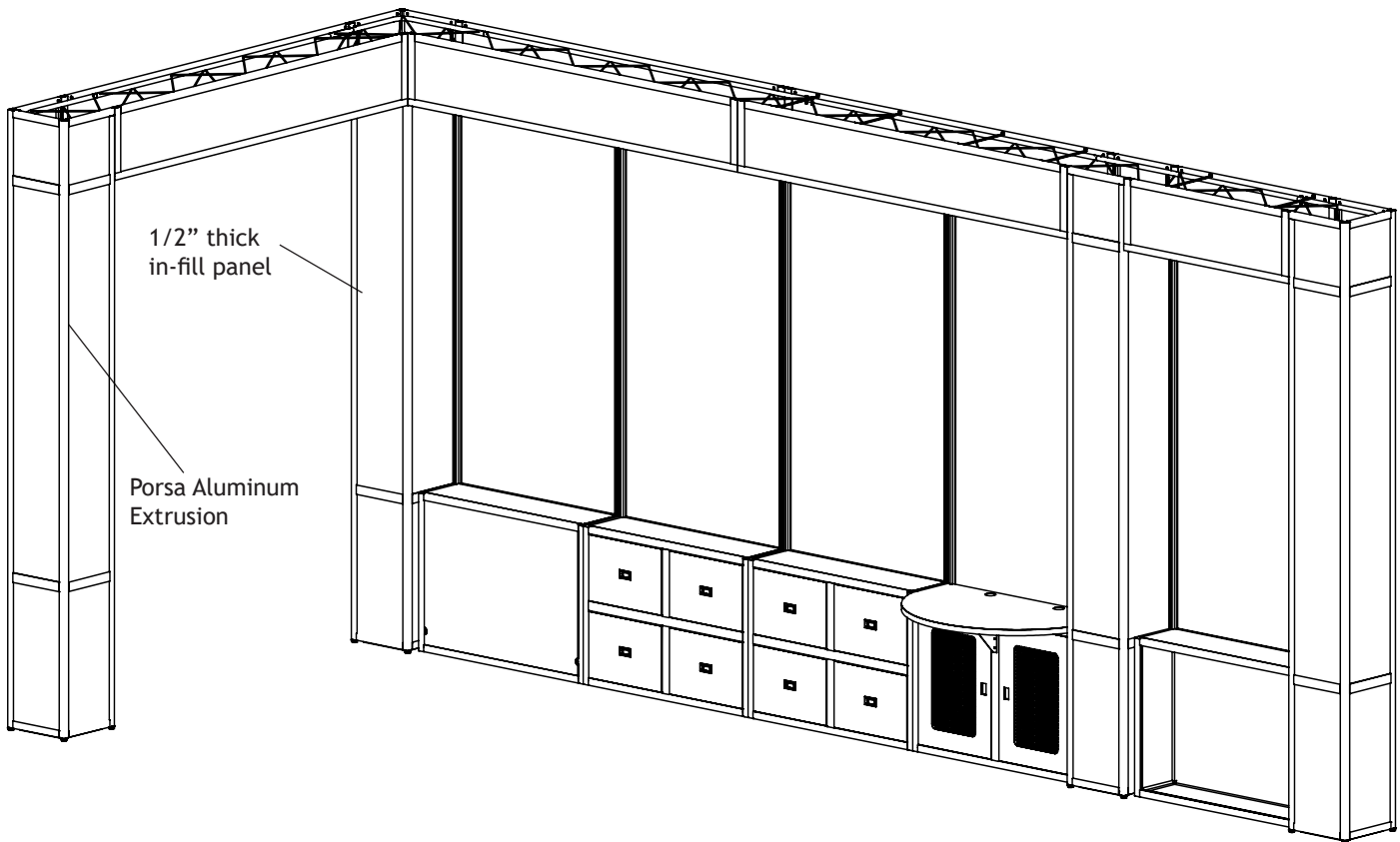
Part #511185
Rectangular - 90° Clip
(for 5/8" and 3/4" Glass Panels)



Drawings are not to scale

Porsa™ Framing System

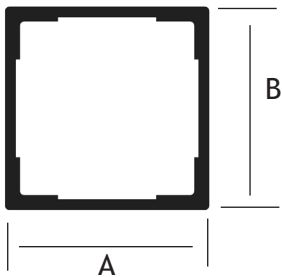
Stylmark is the authorized North American distributor of the Porsa™ Framing System of Denmark. Porsa™ is the only aluminum extrusion system that accepts a 1/2" thick in-fill panel, making it ideal for merchandising systems, wall units and store-with-in-a-store applications. The Porsa™ provides great flexibility - the extrusions and in-fill panels can be reconfigured, changed and moved at a much lower cost than permanent walls or fixtures.



Prototype Framing System

- Notes:**
- Porsa extrusions sizes are nominal
 - Cover caps are available to cover hex key hole

Porsa™ Framing System



Example: 190001

Part #	A	B	Endcap
190001	1"	1"	N/A
190003	1"	1"	N/A
190007	2-5/8"	1"	N/A
190014	1"	1"	241014
190015	1"	1"	241015
190019	1"	1-1/2"	390031
190022	2"	2"	241038-01
190023	1-1/2"	2"	241001
190026	1"	2"	241004
190042	1-31/64"	1-31/64"	241003-01

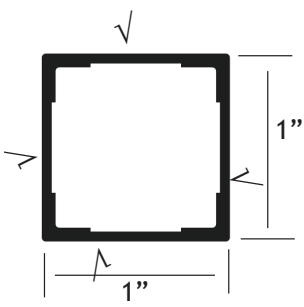
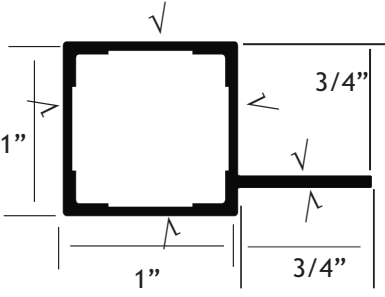
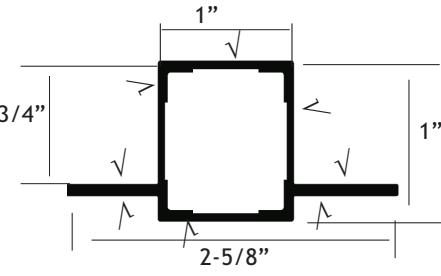
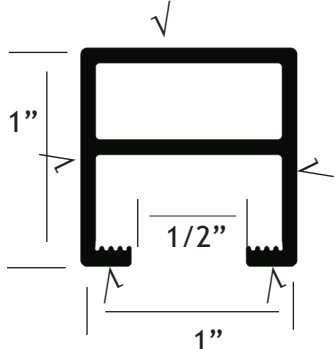
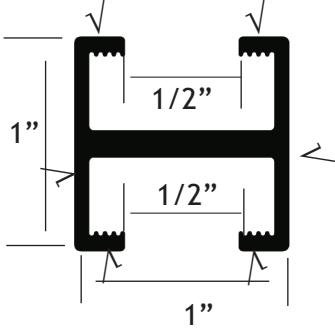
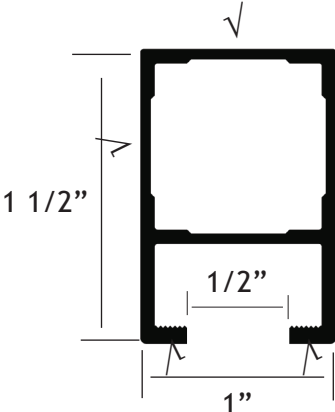
Not all Porsa extrusion are 4-sided tube.
See pages 22-24 for specific profile information.



The AluClip connector system joins pieces using a simple HexKey.

Notes: • Porsa extrusion sizes are nominal.

Porsa™ Framing System

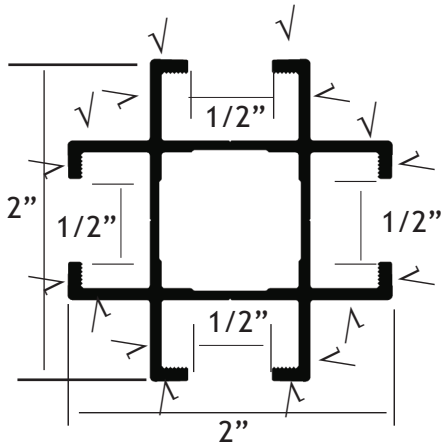
Part # 190001	Part # 190003	Part # 190007
 <p data-bbox="243 892 414 924">Endcap: N/A</p>	 <p data-bbox="706 892 876 924">Endcap: N/A</p>	 <p data-bbox="1161 892 1331 924">Endcap: N/A</p>
Part # 190014	Part # 190015	Part # 190019
 <p data-bbox="219 1512 430 1543">Endcap: 241014</p>	 <p data-bbox="682 1512 893 1543">Endcap: 241015</p>	 <p data-bbox="1144 1512 1356 1543">Endcap: 390031</p>

Notes: • Porsa extrusion sizes are nominal

√ = finished surface
Drawings are not to scale

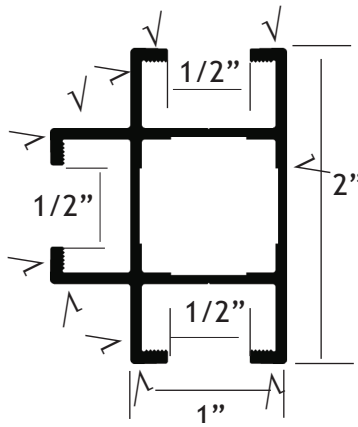
Porsa™ Framing System

Part # 190022



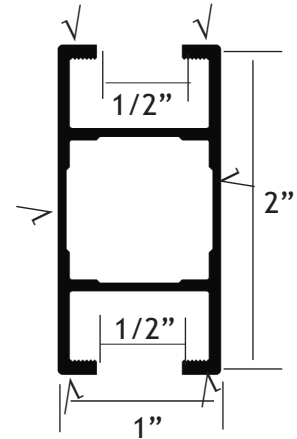
Endcap: 241038-01

Part # 190023



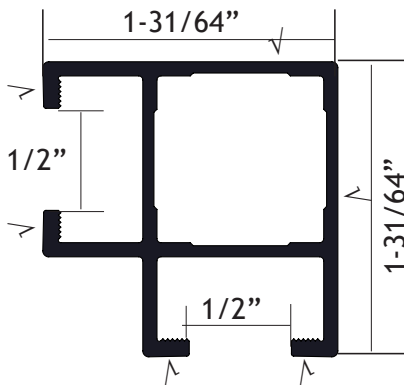
Endcap: 241001

Part # 190026



Endcap: 241004

Part # 190042

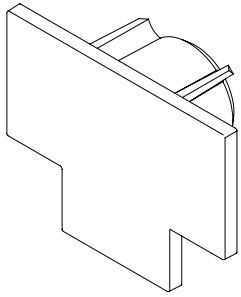
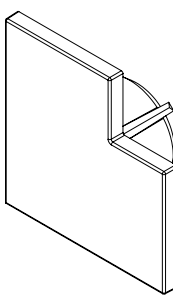
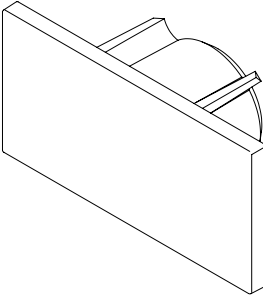
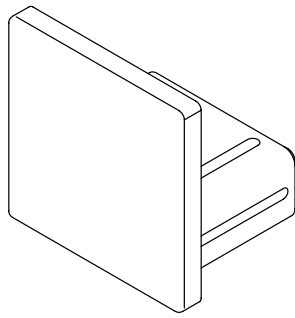
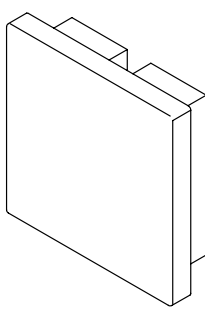
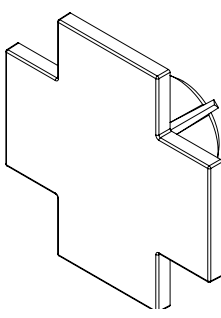
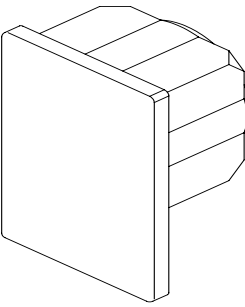


Endcap: 241003-01

Notes: • Porsa extrusion sizes are nominal.

√ = finished surface
Drawings are not to scale

Porsa™ Framing System Endcaps

<p>Part # 241001</p> 	<p>Part # 241003*</p> 	<p>Part # 241004</p> 
<p>Part # 241014</p> 	<p>Part # 241015</p> 	<p>Part # 241038*</p> 
<p>Part # 390031</p> 		

- Notes:**
- Endcaps are available in Black Plastic (-01) or Grey Plastic (-03).
 - * 241003 & 241038 are available in Black Plastic (-01) only.