



Rolling & Wardrobe Doors

Rolling Doors

For over 50 years the Stylmark rolling door has been recognized as the finest in the industry. These doors move effortlessly at the touch of a finger, while adding security to your showcases. They feature anti-jump, security rolling hardware, which engages the door bottom to flanges on the track and prohibits removal of the door when it is locked.

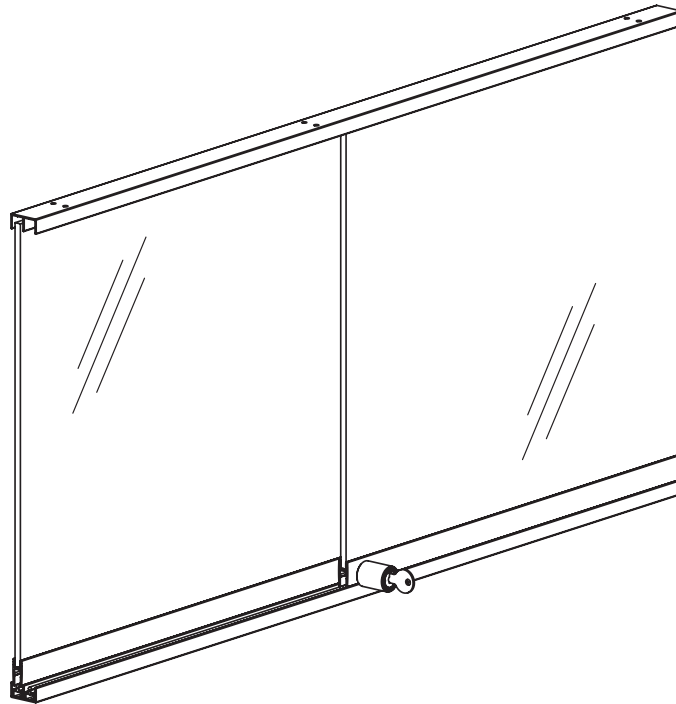
Wardrobe Doors

Wardrobe Doors from Stylmark are designed to give years of trouble free service. Wheel assemblies are incorporated into the bottom rail, providing a smooth-rolling, long-lasting unit. Additional features include cantilevered rollers to easily accommodate out-of-plumb field conditions and optional security door styles to provide additional protection.

Rolling Doors	2
Wardrobe Doors	16

Rolling Doors

Fully framed security rolling doors are a standard component of the Stylmark aluminum showcase system. Our industry leading doors feature anti-jump security rolling hardware, which engages the door bottom to the flanges on the track. This retainer also prohibits removal of the door while it is locked. Stylmark rolling door hardware and components are available in 12' stock lengths or may be custom fabricated to your specified lengths and requirements.



Ordering Rolling Doors

Model #	Refer to pages 2-14 of this brochure
Number of Door Panels	For Assemblies Over 63" Wide, Four Doors with a Center Mullion are Recommended
Lock Condition	Kenstan, Plunger Lock or Fabricated for Best Lock
Opening Size	Width x Height (Door verticals are required on doors over 36" in height)

- Notes:**
- When ordering rolling door hardware for clipped or curved showcases, please provide shop drawings.
 - Rolling door cabinet hardware can be ordered in stock length material for customer fabrication.
 - Lock and vinyl are sold separately when 12' assemblies are ordered.
 - Door verticals are required on doors over 36" high.

Rolling Doors - Fabricated & Shipped Knocked Down

Rolling doors maybe purchased as knock-down, prefabricated kit of parts (glass / panels not included) or as a kit of stocked length (12') finished extrusion and components.

Model Components

Rolling Door Model #	Top Channel	Door Top	Door Bottom	Wheels & Retainers	Bottom Track	Includes:			
						Wheels	Retainers	Jams	Verticals
610005-01	110007	419007	110012	510001	110007 110009	8	8	No	N/A
610007-01	110007	419007	110012	510001	110019	8	8	No	N/A
610060-01	110080	N/A	N/A	510041	110079	8	8	N/A	N/A
610099-01	110007	419007	110012	510001	110078	8	8	N/A	N/A
610143-01	110008	419030	110012	510001 410444	110178	TBD at time of order		Optional	
610144-01	110071	419030	110012	510001 410444	110178	TBD at time of order		Optional	
610145-01	110102	419030	110012	510001 410444	110178	TBD at time of order		Optional	
610146-01	110162	N/A	N/A	510041 410454	110208	8	8	N/A	N/A
610165-01	110022	419007	110140	510041	110009	No	No	Optional	
610183-01	110102	419030	110412	510041 410381	110178	TBD at time of order		Optional	
610184-01	110071	419030	110412	510041 410381	110178	TBD at time of order		Optional	
610185-01	110008	419030	110418	510041 410381	110178	TBD at time of order		Optional	
610187-01	110008	110024 419030	110140 510241	510041 410381	110178	8	8	Yes	Yes
610188-01	110071	110024	110140	510041 410381	110178	TBD at time of order		Optional	
610189-01	110102	110024	110140	510041 410381	110178	TBD at time of order		Optional	
610190-01	110008	110024 419030	110350 510331	510041 410381	110178	8	8	Yes	Yes
610191-01	110071	419030	110350	510041 410381	110178	TBD at time of order		Optional	
610192-01	110102	419030	110350	510041 410381	110178	TBD at time of order		Optional	

Notes: • Model # -01 indicates that components are fabricated prior to shipping per customer's dimensions
• Model # -02 indicates that components are shipped as 12' lengths

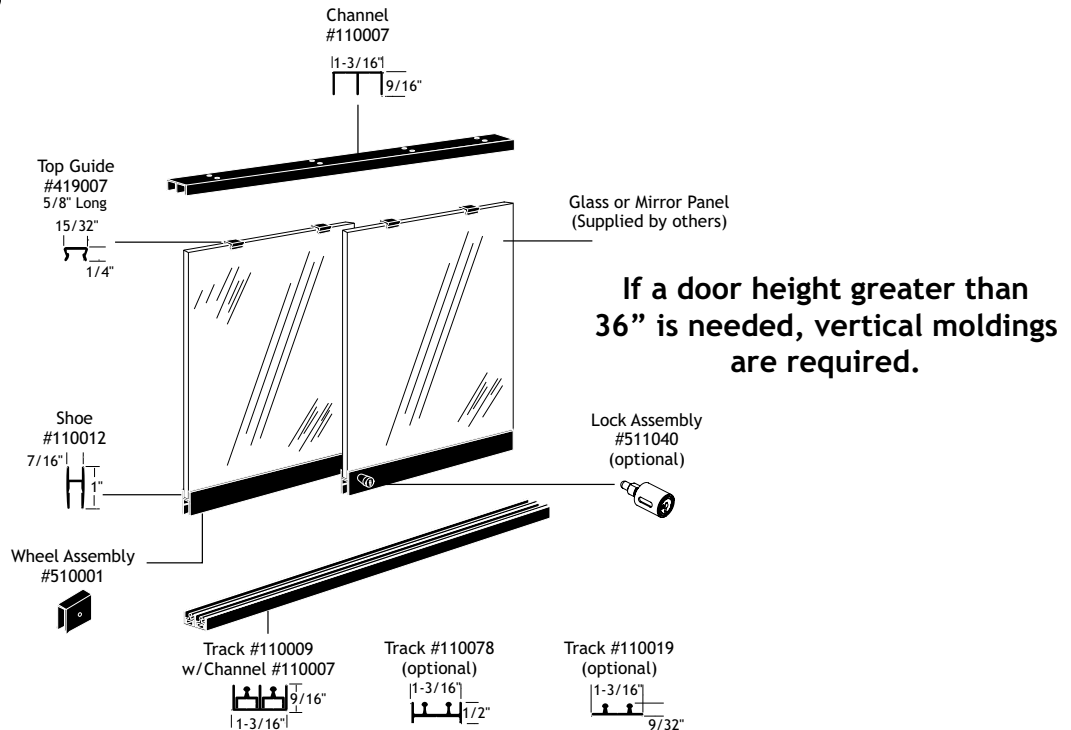
Rolling Doors - Stock Length

Model Components

Stock Length Rolling Door Model #	Top Channel	Door Top	Door Bottom	Wheels & Retainers	Bottom Track	Includes:			
						Wheels	Retainers	Jams	Verticals
610005-02	110007	419007	110012	510001	110007 110009	8	8	No	N/A
610007-02	110007	419007	110012	510001	110019	8	8	No	N/A
610060-02	110080	N/A	N/A	510041	110079	8	8	N/A	N/A
610099-02	110007	419007	110012	510001	110078	8	8	N/A	N/A
610146-02	110162	N/A	N/A	510041 410454	110208	8	8	N/A	N/A
610187-02	110008	110024 419030	110140 510241	510041 410381	110178	8	8	Yes	Yes
610190-02	110008	110024 419030	110350 510331	510041 410381	110178	8	8	Yes	Yes

- Notes:
- Model # -01 indicates that components are fabricated prior to shipping per customer's dimensions
 - Model # -02 indicates that components are shipped as 12' lengths

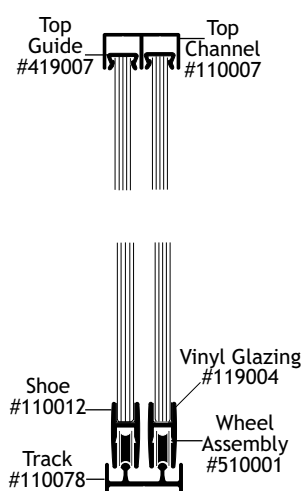
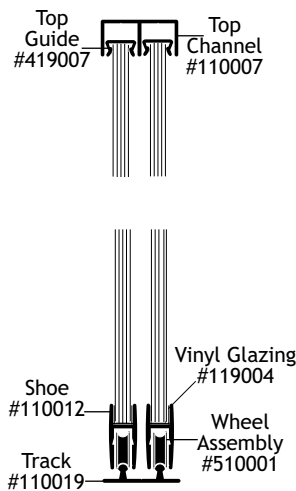
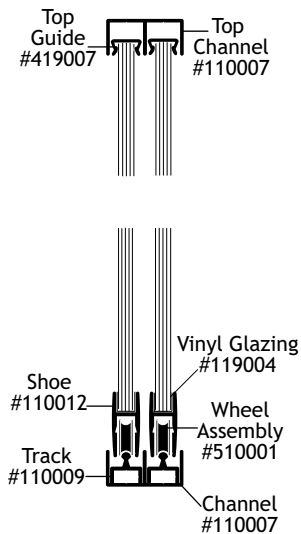
Rolling Doors



Model #610005-01*
Model #610005-02*
Standard assembly with removable track designed for easy cleaning

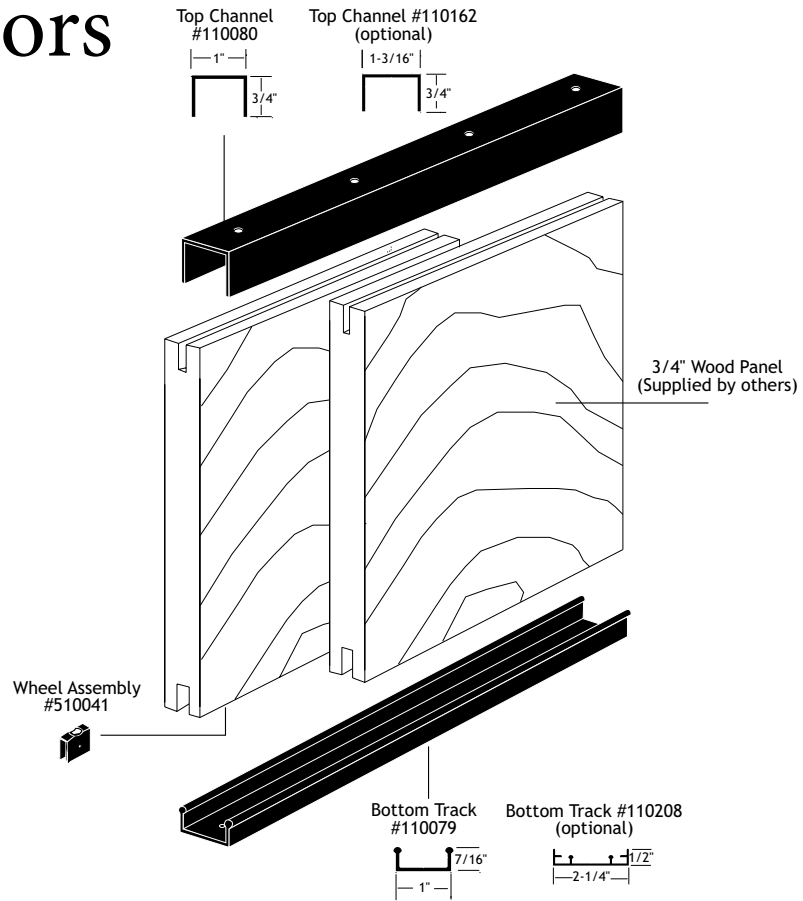
Model #610007-01
Model #610007-02
Economy assembly using one piece double track

Model #610099-01
Model #610099-02
Standard rolling door assembly



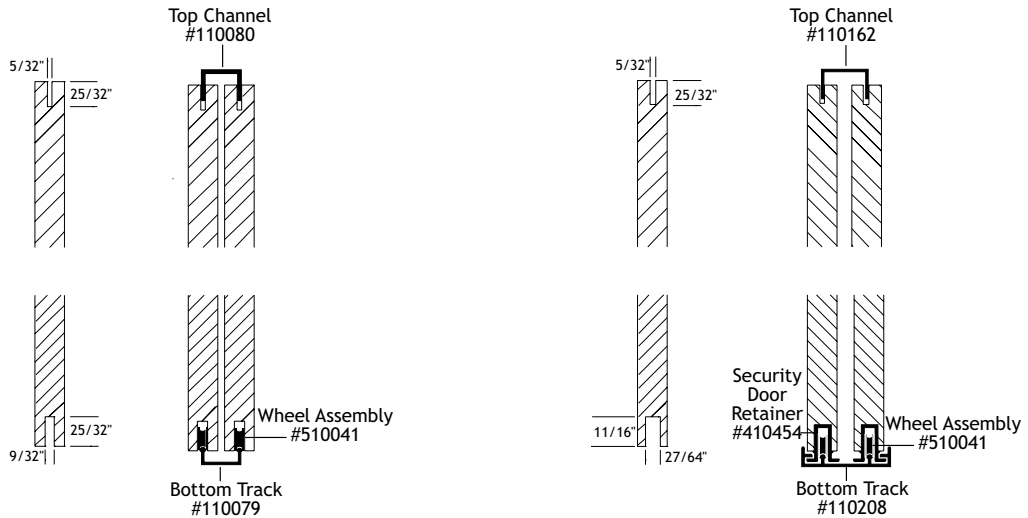
- Notes:**
- Model # -01 indicates that components are fabricated prior to shipping per customer's dimensions
 - Model # -02 indicates that components are shipped as 12' lengths
 - Model #610005 has several jamb options that would affect glass size.
- Please contact Stylmark Customer Care for assistance.

Rolling Doors



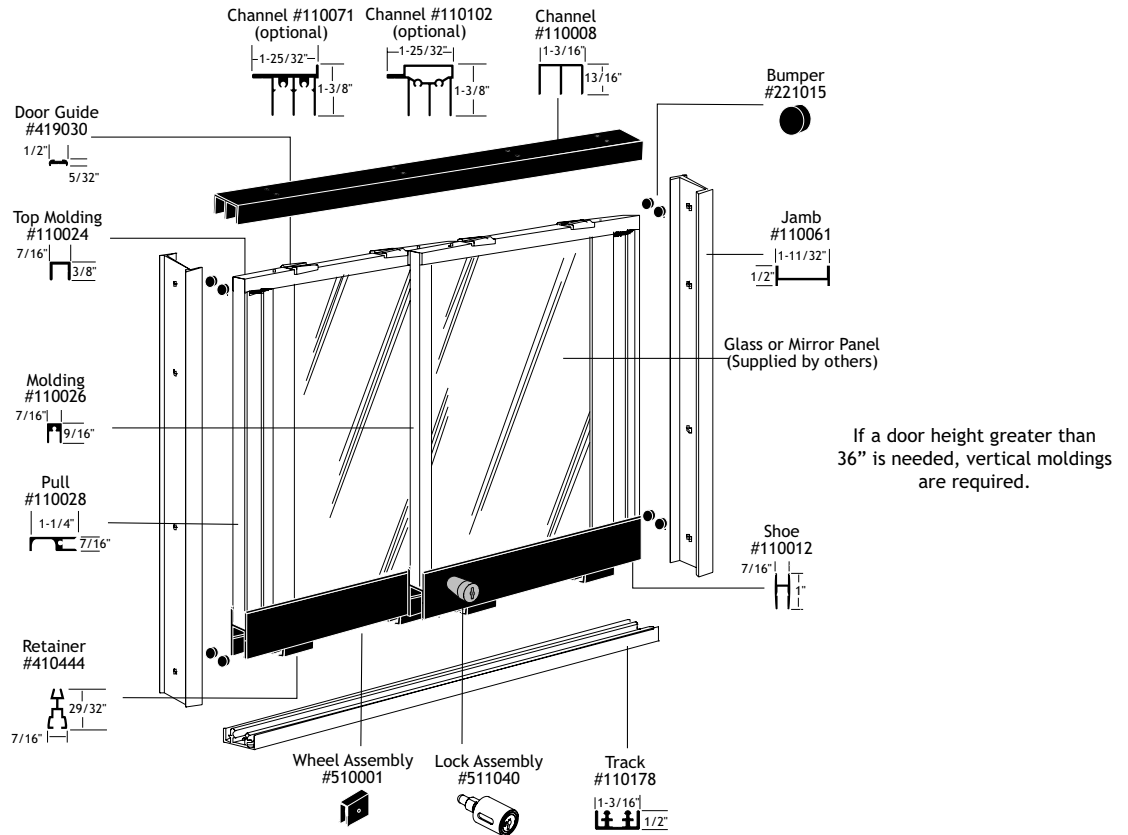
Model #610060-01
Model #610060-02
 Double track for use
 when security is not required

Model #610146-01
Model #610146-02
 Double track for use
 when security is required



- Notes:
- Model # -01 indicates that components are fabricated prior to shipping per customer's dimensions
 - Model # -02 indicates that components are shipped as 12' lengths

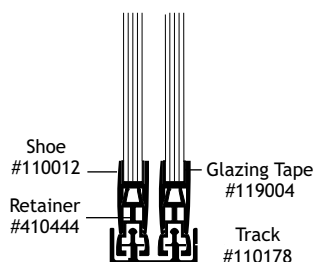
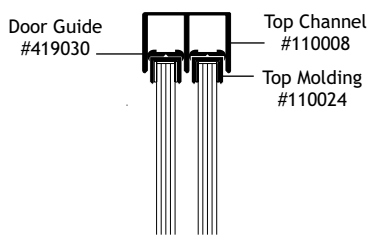
Rolling Doors



These security rolling door assemblies are for 1/4" panels up to 50 pounds.

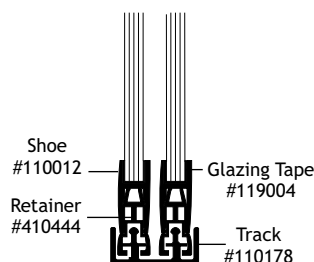
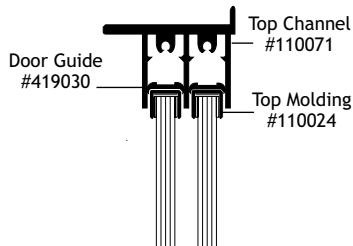
Model #610143-01

Features the 110008 header and 110012 shoe. Optional door verticals and jambs are available.



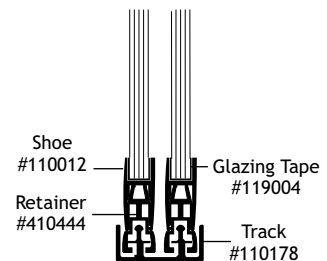
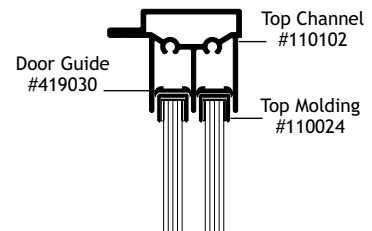
Model #610144-01

Features the 110071 top header (back frame) and 110012 shoe.



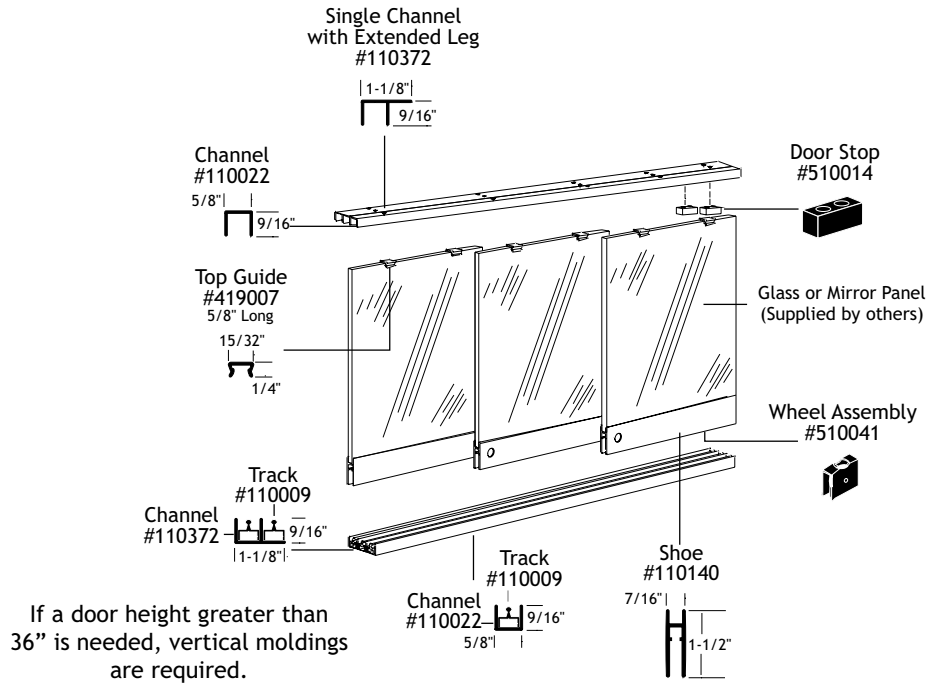
Model #610145-01

Features the 110102 top header (back frame) and 110012 shoe.



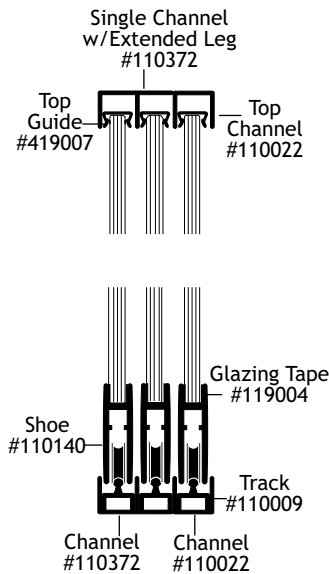
Notes: • Model # -01 indicates that components are fabricated prior to shipping per customer's dimensions

Rolling Doors



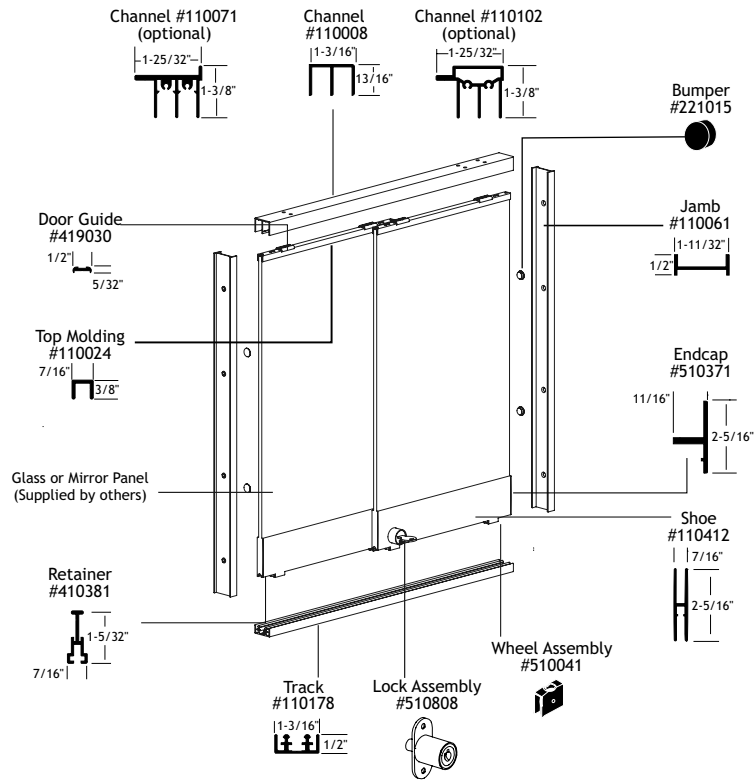
Model #610165-01

Multiple tracks allow maximum usage of opening by stacking the doors for open access.

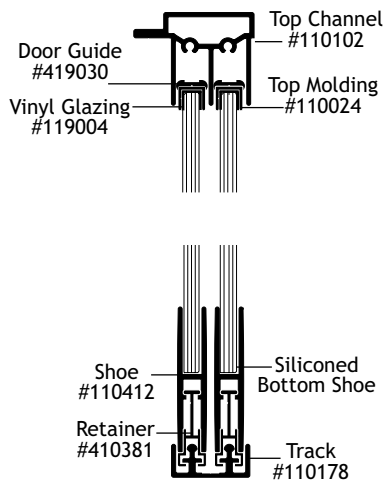


- Notes:
- Jambs and door verticals are available with fabricated assemblies.
 - Model # -01 indicates that components are fabricated prior to shipping per customer's dimensions

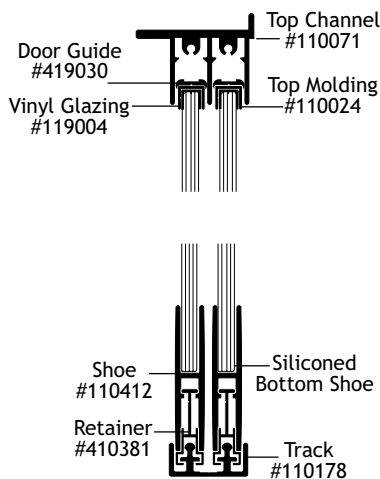
Rolling Doors



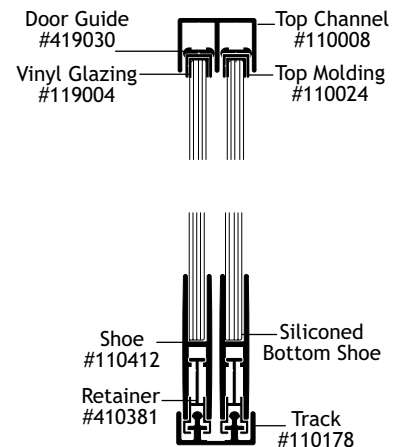
Model #610183-01
Features the 110412 shoe with 110102 top header (back frame).



Model #610184-01
Features the 110412 shoe with 110071 top header (back frame).

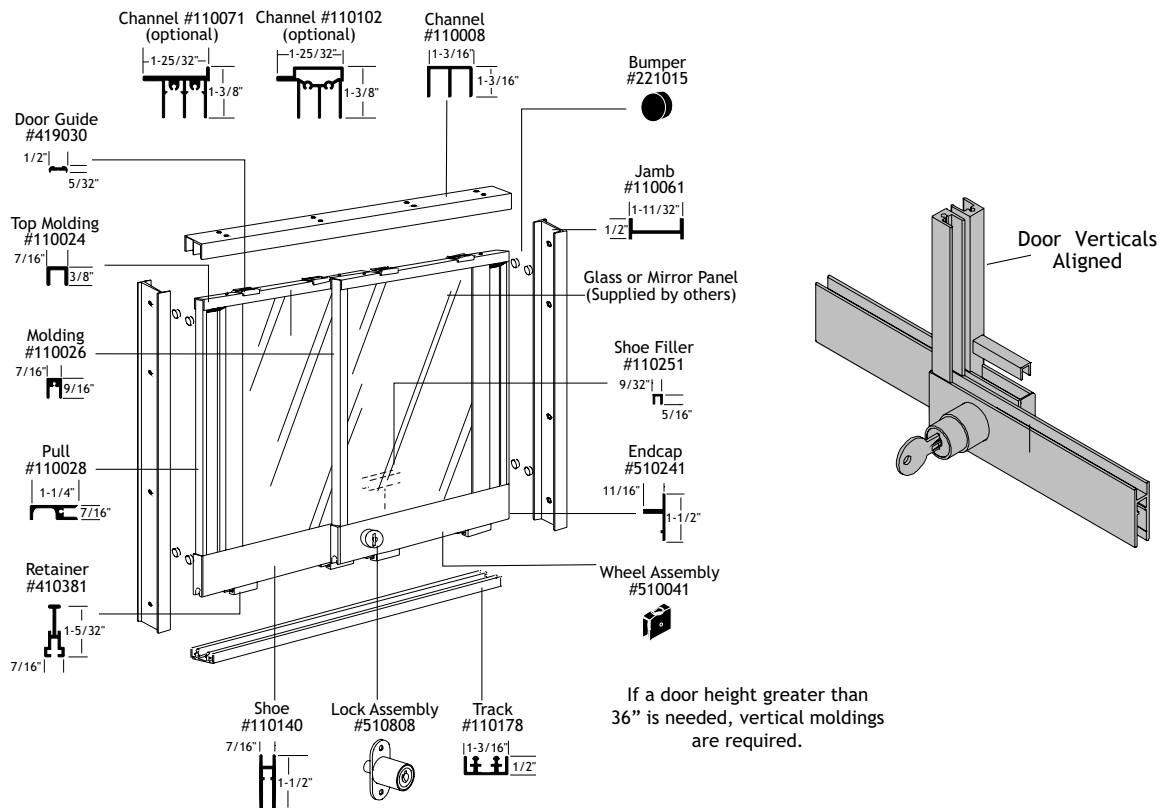


Model #610185-01
Features the 110412 shoe with 110008 top header (back frame).



Notes: • Model # -01 indicates that components are fabricated prior to shipping per customer's dimensions

Rolling Doors

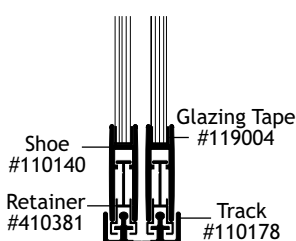
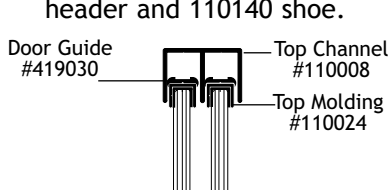


Security heavy duty rolling doors for 1/4" panels up to 80 pounds. Door verticals are standard, but you may order without. Assembly numbers 610187, 610188 and 610189 require overlapping doors to allow for alignment of door verticals. In this case, a shoe filler is used in the rear shoe. This overlap also enables glass for both front and rear doors to remain the same size (shown in picture inset).

Model #610187-01

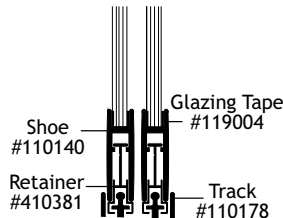
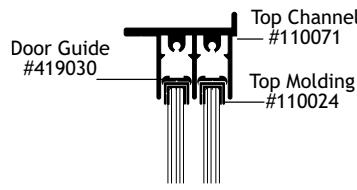
Model #610187-02

Features the 110008 top header and 110140 shoe.



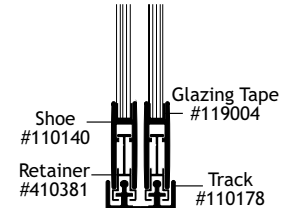
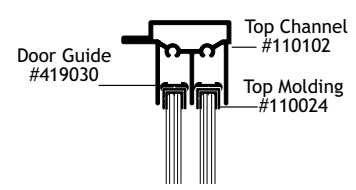
Model #610188-01

Features the 110071 top header and 110140 shoe.



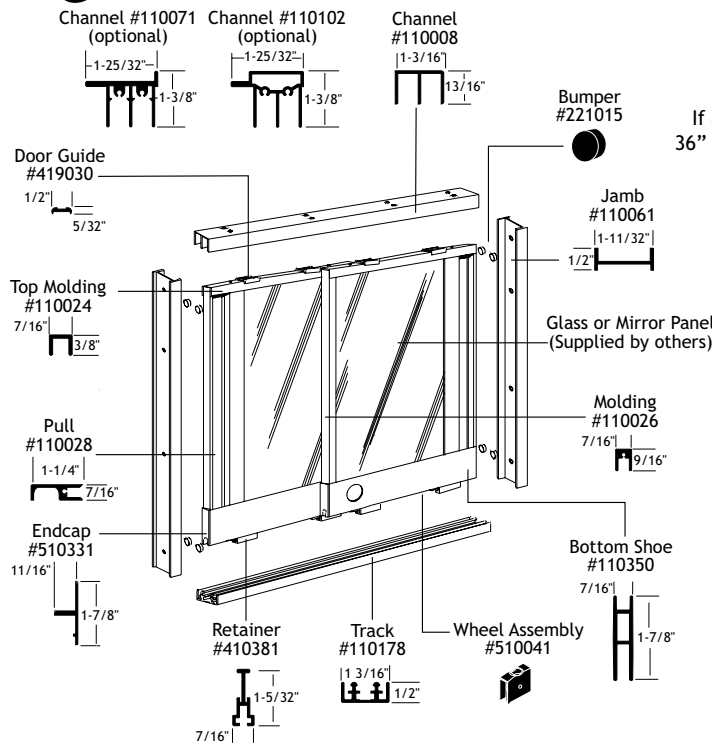
Model #610189-01

Features the 110102 top header and 110140 shoe.



- Notes:
- Model # -01 indicates that components are fabricated prior to shipping per customer's dimensions
 - Model # -02 indicates that components are shipped as 12' lengths

Rolling Doors



If a door height greater than 36" is needed, vertical moldings are required.

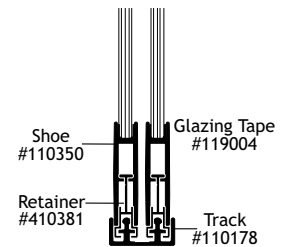
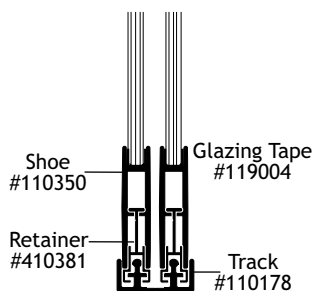
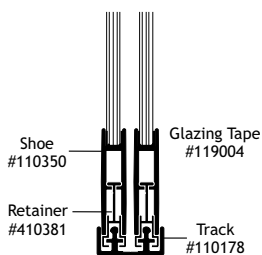
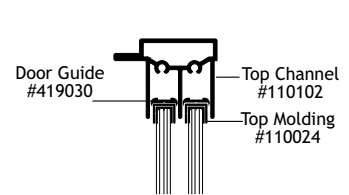
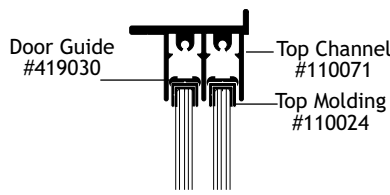
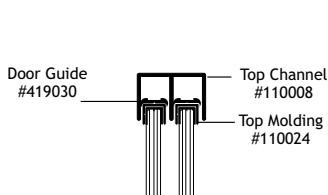
Note: Door verticals do not align

These assemblies feature the 110350 shoe, which accommodates the 4S Bestlock (supplied by others). Used for 1/4" panels up to 80 pounds. Door verticals are standard, but you may order without.

Model #610190-01
Model #610190-02
 Features the 110008 top header.

Model #610191-01
 Features the 110071 top header.

Model #610192-01
 Features the 110102 top header.



- Notes:
- Model # -01 indicates that components are fabricated prior to shipping per customer's dimensions
 - Model # -02 indicates that components are shipped as 12' lengths

Rolling Doors

Door Panel and Glass Sizing Chart

Hardware Assembly Number	Width		Height
	With Sides & Center Verticals Deduct from Opening Width and Divide by 2	Without Sides & Center Verticals Add to Opening Width and Divide by 2	Deduct from Overall Height
*610005	1-7/8" ④	1" ③	1-15/32"
610007	1-7/8" ④	1" ③	1-7/32"
610060	-	1" ③	45/64"
610099	1-7/8" ④	1" ③	1-7/16"
610143	2-9/16" ①④	5/16" ①③	1-27/32"
610144	2-9/16" ①④	5/16" ①③	2-15/32"
610145	2-9/16" ①④	5/16" ①③	2-15/32"
610146	-	1"	13/16"
610165	-	4 (Divide by 3) ②	1-15/16"
610183	-	1-5/16" ①②	2-15/16"
610184	-	1-5/16" ①②	2-15/16"
610185	-	1-5/16" ①②	2-5/16"
610187	2-9/16" ①④	1-5/16" ①②	2-5/16"
610188	2-9/16" ①④	1-5/16" ①②	2-15/16"
610189	2-9/16" ①④	1-5/16" ①②	2-15/16"
610190	5/8" ⑤	-	2-11/16"
610191	5/8" ⑤	-	3-5/16"
610192	5/8" ⑤	-	3-5/16"

Note: * Assembly 610005 has several jamb options that will affect glass size. Please contact Stylmark Customer Service for assistance.

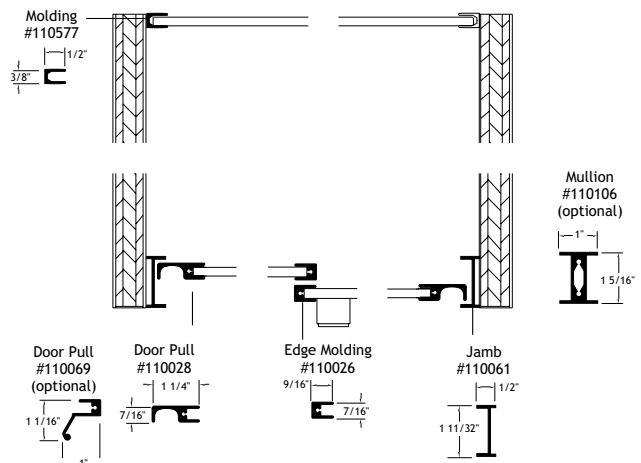
- ① Jamb Included ② 2" Door Overlap ③ 1" Door Overlap
 ④ 9/16" Door Overlap ⑤ 2 1/2" Door Overlap

Door Jamb and Mullions

Stylmark's door jambs serve as a filler when spaces are not completely plumb and provide a vertical accent. Door mullions are typically used for header support and are recommended for spans of 63" or greater. They also serve as a divider and stop for multiple door applications.

Door Edge Molding and Pulls

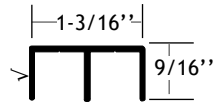
When completely framed door panels are desired, door pulls and U-channel edge moldings are used, as shown.



Rolling Doors

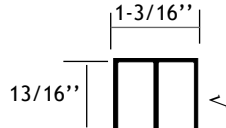
Hardware and Accessories

Part #110007



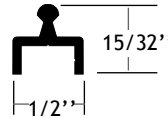
9/16"
Double Channel

Part #110008



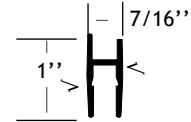
13/16"
Double Channel

Part #110009



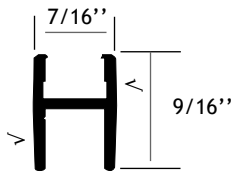
Drop In Track

Part #110012



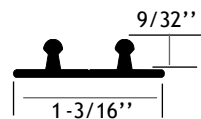
Shoe

Part #110014



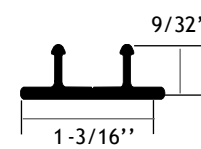
Glide Shoe

Part #110019



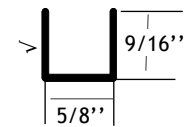
1-3/16"
Double Track

Part #110021



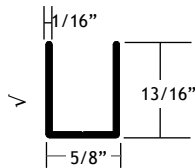
1-3/16"
Glide Track

Part #110022



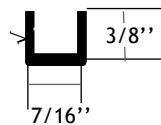
9/16" Single Channel

Part # 110023



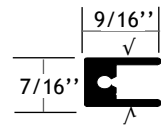
13/16" Single Channel

Part #110024



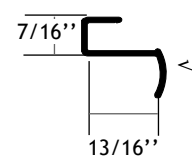
Edge Molding

Part #110026



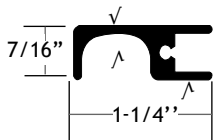
Edge Molding

Part #110027



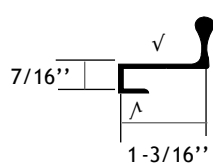
Door Pull

Part #110028



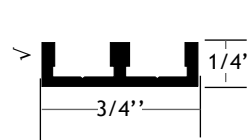
Flush Door Pull

Part #110029



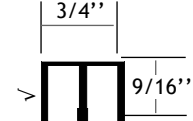
Door Pull

Part #110035



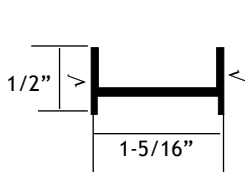
Slide Track

Part #110036



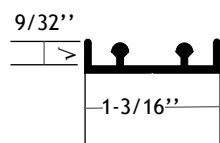
Slide Double Channel

Part #110061



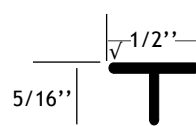
Jamb

Part #110063



Double Channel Track

Part #110065



Anti-Jump Strip

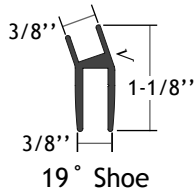
Notes: • Stock length shoes do not include lock fabrication. Lock hole fabricated by customer.

✓ = finished surface
Drawings are not to scale

Rolling Doors

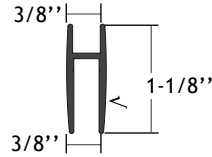
Hardware and Accessories

Part #110066*

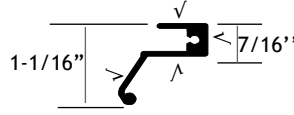


19° Shoe

Part #110067

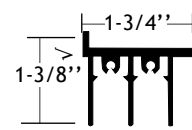


Part #110069

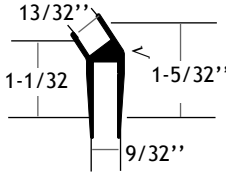


Door Pull

Part #110071

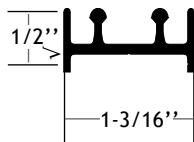


Part #110076*



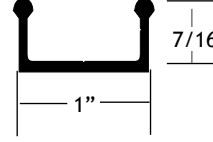
35° Deep Shoe

Part #110078



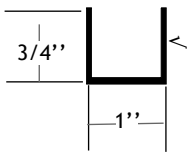
Channel Track

Part #110079



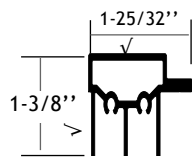
Wood Door Track

Part #110080



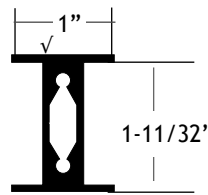
Top U Channel

Part #110102



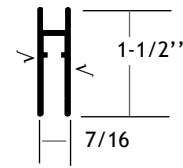
Top Rear Showcase Channel

Part #110106



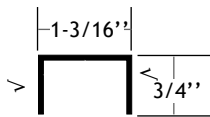
Mullion

Part #110140



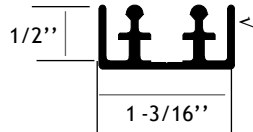
Heavy Duty Shoe

Part #110162



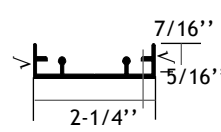
1 13/16"
Top Channel

Part #110178



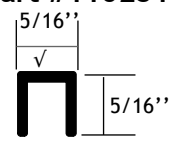
Security Track

Part #110208



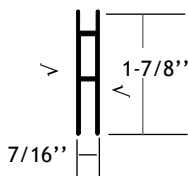
Security Track

Part #110251



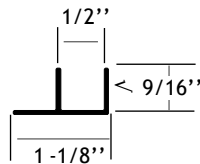
Shoe Filler

Part #110350



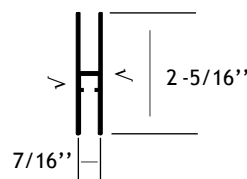
Heavy Duty Shoe

Part #110372



Single Channel
with Extended Leg

Part #110412



Deep Pocket Shoe

- Notes:**
- Stock length shoes do not include lock fabrication. Lock hole fabricated by customer.
 - *Part #110066 and #110076 are special order only.

√ = finished surface
Drawings are not to scale

Rolling Doors

Hardware and Accessories

Part #119004



1/4" Black Vinyl Glazing Tape (250 ft)

Part #221014



Gray Bumper

Part #221015



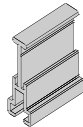
Clear Bumper

Part #511178



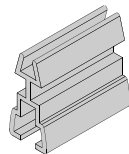
Top Guide Assembly

Part #410381



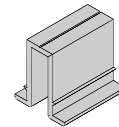
Security Door Retainer (use with 110140, 110350 or 110412 shoe)

Part #410444



3/4" Security Door Retainer (use with 110012 shoe)

Part #410454



1-7/8" Security Door Retainer

Part #419007



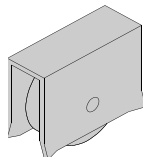
Top Guide

Part #419030



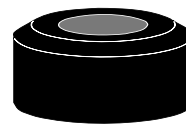
Vinyl Door Guide

Part #510001



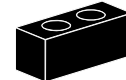
Wheel Assembly for 110012

Part #510006



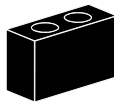
Door Bumper Assembly

Part #510014



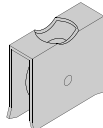
1/2" Heavy Duty Door Stop Assembly

Part #510015



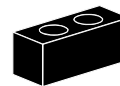
3/4" Heavy Duty Door Stop Assembly

Part #510041



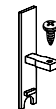
Heavy Duty Wheel Assembly

Part #510060



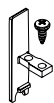
1/2" Heavy Duty Door Stop Assembly

Part #510241



Endcap Assembly for 110140

Part #510331



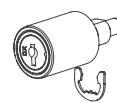
Endcap Assembly for 110350

Part #510371



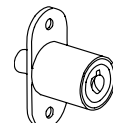
Endcap Assembly for 110412

Part #511040



Chrome Plunger Lock Assembly

Part #510808



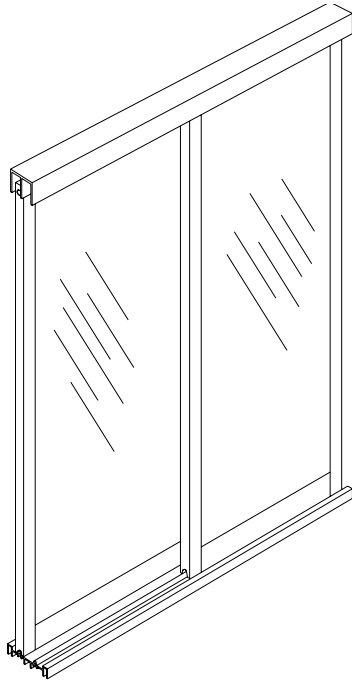
Chrome Plunger Lock Assembly

Notes: • Stock length shoes do not include lock fabrication. Lock hole fabricated by customer.

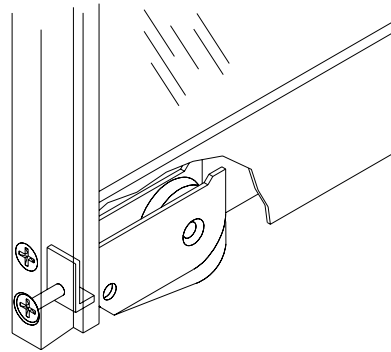
√ = finished surface
Drawings are not to scale

Wardrobe Doors

Wardrobe Doors from Stylmark are designed to give years of trouble free service. Wheel assemblies are incorporated into the bottom rail, providing a smooth rolling, long lasting unit. Additional features include cantilevered rollers to easily accommodate out-of-plumb field conditions and optional security door styles to provide additional protection.



Cantilevered Rollers
 These wheels adjust easily to accommodate out-of-plumb field conditions and height variations plus 1 1/2" and minus 5/8"



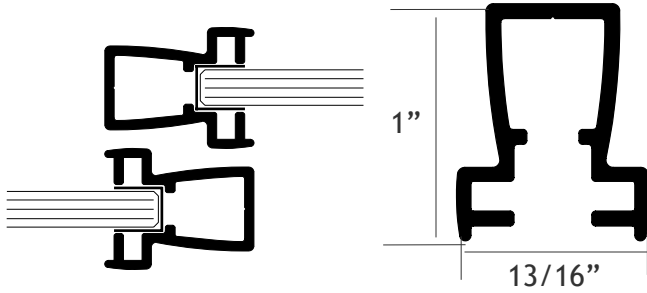
Ordering Wardrobe Doors

Model	Description	Dimensions: Width x Height
630017	2 Door Conventional Style	Opening Size
630019	2 Door Security Style	Opening Size
630021	3 Door Conventional Style	Opening Size
630022	3 Door Security Style	Opening Size

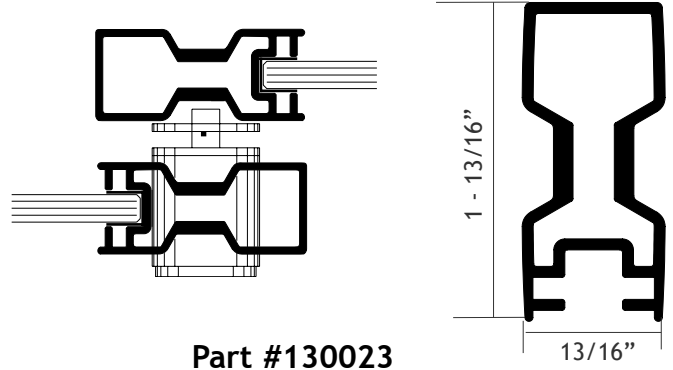
- Notes:**
- Assemblies do not have a vertical jamb member.
 - The maximum weight per door must not exceed 125 pounds in weight, which is equivalent to a 5' x 8' door panel glazed with a 1/4" mirror.
 - Security style doors accept up to 1" diameter locks.
 - Panels provided by others.

Wardrobe Doors

Conventional Door Stile - Part #130026 - 79"
Part # 130028 - 95"

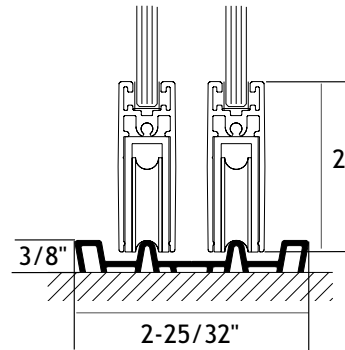
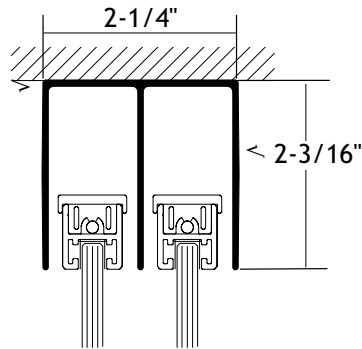


Security Door Stile - Part #130027 - 106"

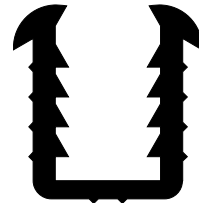
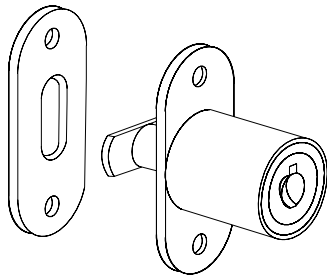


Part #130023
Wardrobe Door Track

Part #130022
Wardrobe Door Header



Part #530024*
T-Bolt Plunger Lock



Part #139007
Glazing Vinyl for 1/4" Panels

Wardrobe door assemblies come complete with an accessory package that includes: Rubber bumper, top guide wheel assembly, screws and lock (security style only).

√ = finished surface
Drawings are not to scale

Notes: • *Part #530024 used exclusively with security doors.

Ordering Wardrobe Doors

Part #	Description
212030	8 x 1 Pan Head Screw
212037	8 x 1-1/4 Pan Head Screw
213036	8-32 x 1-9/16 Screw
221015	Rubber Bumper
330017-02	Flocked Top Guide
530011	Wheel Assembly