

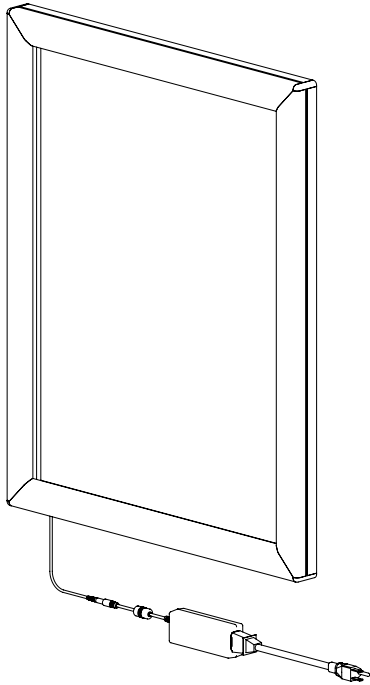
# Signage

Please refer to our Signage brochure for more information regarding Stylmark's backlit displays. Prices will vary based upon your individual order requirements. Contact Stylmark Customer Service for pricing and custom sizes.

LED Edge-lit Light Boxes

## Optima 300 LED® Edge-Lit Light Box

### Front-Loading Graphic with Four-Sided Snap Frame - Wall-Mount



The Optima 300 indoor light box features include:

- Advanced mechanically etched panel provides uniform illumination
- ADA Compliant - 0.78" depth from wall (single-sided unit)
- Standard mitered corners with a corner insert
- Snap frame opens on all four sides for easy graphic access
- Units can be wall mounted or suspended from the ceiling (specify when ordering)
- Available stock in four standard sizes
- Custom size and double-sided units are available upon request (up to 70" x 120")
- Available in two finishes only. Satin Natural and Satin Black (by special order only)

Model <i>(9020 - Satin Natural Finish)</i>	Optima 300 LED Edge-Lit Single-Sided Light Box Graphic Size	Discount Quantity Pricing		
		1-9 Units	10-24 Units	25+ Units
690235-02-9020	22" x 28" (559mm x 711mm)	279.50	271.00	263.00
690235-04-9020	24" x 36" (610mm x 914mm)	375.50	364.00	353.00
690235-05-9020	30" x 40" (762mm x 1016mm)	465.00	451.00	437.00
690235-06-9020	36" x 48" (914mm x 1220mm)	615.00	597.00	578.00

The standard, stock models of the Optima 300 LED Edge-lit light boxes are single-sided, in Stylmark's -9020 Satin Natural finish with external power supply & cord and include a 0.015" clear face sheet. Power cord exits from back frame of the shorter side of the light box. Intended for standard wall mounting applications. Individually packaged.

Optima 300 LED Product Information	
Data Sheet	971709
Installation Instructions	971783

Looking for a size not shown, please contact Stylmark Customer Service for assistance.

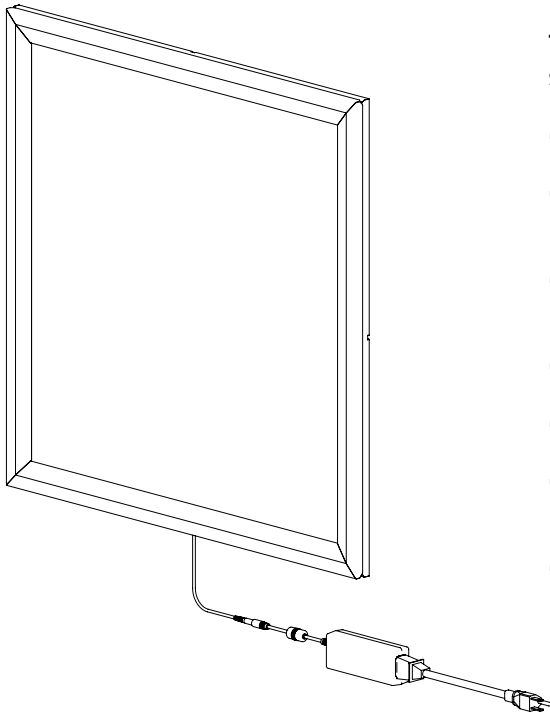
*Note: Graphics not supplied unless otherwise noted. For dry locations only.*

# Signage

Please refer to our Signage brochure for more information regarding Stylmark's backlit displays. Prices will vary based upon your individual order requirements. Contact Stylmark Customer Service for pricing and custom sizes.

LED Edge-Lit Light Boxes

## Optima 450 LED® Edge-Lit Light Box Front-Loading Graphic with Four-Sided Snap Frame - Wall-Mount



The Optima 450 LED® Edge-Lit Light Box incorporates several features including:

- State-of-the-art LED lighting for brightest output
- Advanced laser etched panel design provides even illumination
- Mitered corner snap frame makes changing graphics a snap
- Thin profile - 0.97" depth from wall (single-sided unit)
- Available stocked in four standard sizes
- Custom sizes and double-sided units are available upon request (up to 48" x 96")
- Units can be wall mounted, ceiling suspended, pedestal mount or add feet for a tabletop display (specify when ordering)

Model (020 - Satin Natural Finish)	Optima 450 LED Edge-Lit Single-Sided Light Box Graphic Size	Discount Quantity Pricing		
		1-9 Units	10-24 Units	25+ Units
690289-01-020	20" x 24" (508mm x 610mm)	579.33	562.29	546.22
690289-02-020	24" x 36" (610mm x 914mm)	732.81	711.26	690.93
690289-03-020	30" x 40" (762mm x 1016mm)	833.70	809.17	786.06
690289-04-020	36" x 48" (914mm x 1220mm)	1,005.84	976.26	948.37

The standard, stock models of the Optima 450 LED Edge-lit light boxes are single-sided, in Stylmark's -020 Satin Natural finish with external power supply & cord and include a 0.015" clear face sheet. Power cord exits from back frame of the shorter side of the light box. Intended for standard wall mounting applications. Individually packaged.

*Looking for a size not shown, please contact Stylmark Customer Service for assistance.*

Optima 450 LED Product Information	
Data Sheet	971668
Installation Instructions	971796
Power Supply Replacement	971790
Strip Replacement	971791

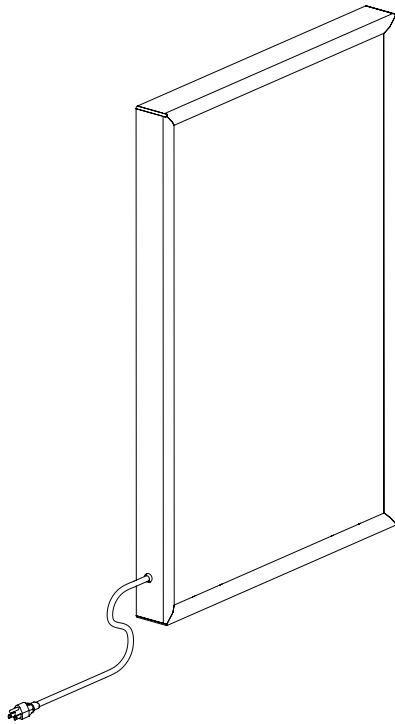
**Note: Graphics not supplied unless otherwise noted. For dry locations only.**

# Signage

Please refer to our Signage brochure for more information regarding Stylmark's backlit displays. Prices will vary based upon your individual order requirements. Contact Stylmark Customer Service for pricing and custom sizes.

LED Backlit Light Boxes

## Optima 1000 LED® Backlit Light Box Front-Loading Graphic with Four-Sided Snap Frame - Wall-Mount



### Optima 1000 LED® Backlit Light Box features include:

- Bright, uniform illumination throughout the display
- ADA Compliant - 2.50" depth from wall (single-sided unit)
- Standard mitered corners with a corner insert
- Designed to be integrated with Stylmark fixtures to create custom display systems
- Snap frame features a tool-free open & closing system, allowing for easy graphic access
- Available stock in four standard sizes
- Custom sizes and double-sided units are available upon request (up to 48" x 96")
- Units can be wall mounted, ceiling suspended, pedestal mount or add feet for a tabletop display (specify when ordering)

Model (020 - Satin Natural Finish)	Optima 1000 LED Backlit Single-Sided Light Box Graphic Size	Discount Quantity Pricing		
		1-9 Units	10-24 Units	25+ Units
690278-01-020	20" x 24" (508mm x 610mm)	599.13	581.51	564.89
690278-02-020	24" x 36" (610mm x 914mm)	790.94	767.68	745.74
690278-03-020	30" x 40" (762mm x 1016mm)	921.61	894.51	868.95
690278-04-020	36" x 48" (914mm x 1220mm)	1,210.99	1,175.37	1,141.79

The standard, stock models of the Optima 1000 LED Back-lit light boxes are single-sided, 2-1/2" deep, portrait-oriented in Stylmark's -020 Satin Natural finish with power cord and include a 0.015" clear face sheet. Power cord exits on left side near bottom when mounted in portrait orientation and on bottom side near right corner when mounted in landscape orientation. Intended for standard wall mounting applications. Individually packaged.

*Looking for a size not shown, please contact Stylmark Customer Service for assistance.*

Optima 1000 LED Product Information	
Data Sheet	971749
Installation Instructions	971750

**Note: Graphics not supplied unless otherwise noted. For dry locations only.**

# Signage

Please refer to our Signage brochure for more information regarding Stylmark's backlit displays. Prices will vary based upon your individual order requirements. Contact Stylmark Customer Service for pricing and custom sizes.

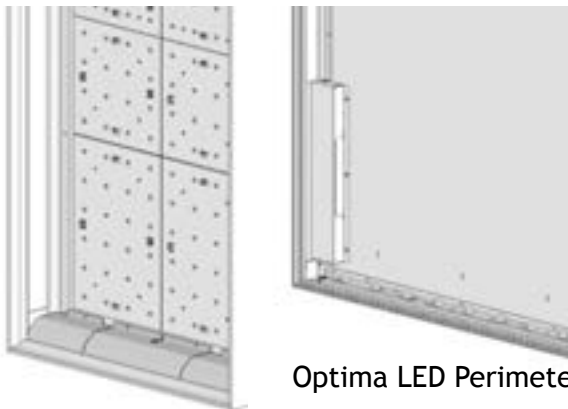
LED Backlit Light Boxes

## Optima LED® StretchLite Frameless Fabric Graphic Display

Meeting retail demands for high-impact environments, Stylmark introduces the Optima LED StretchLite Backlit Light Box to create arresting and compelling merchandise displays with tension-fabric graphics. The newest addition to Stylmark's family of Optima LED light boxes, the Optima LED StretchLite combines the brilliance and uniformity of LED technology with the dramatic dimensions of tension fabric displays to help retailers, designers and visual merchandisers achieve unrivaled visual impact.

### Optima LED StretchLite features include:

- Uniform illumination throughout the display
- Three LED lighting options:
  - Optima LED 1000 Backlit
  - Optima LED 650 Backlit
  - Optima LED Perimeter-Lit
- ADA Compliant: < 4.00" depth from wall (single-sided unit)
- Frameless appearance: frames measure less than 0.075"
- Single section signs available in conventional & custom sizes up to 48" x 120"
- Integrate with other Stylmark fixtures to create custom display systems
- Change graphics quickly and easily using silicone edge gasket channel
- Multi-section configurations available (made up of multiple sections each up to 48" x 120")
- Units can be wall mounted or suspended from the ceiling (specify when ordering)



Optima LED 1000 & 650 Backlit

Optima LED Perimeter Lit

Optima LED StretchLite Product Information	
Data Sheet	971768
Installation Instructions	971770

**Note: Graphics not supplied unless otherwise noted. For dry locations only.**

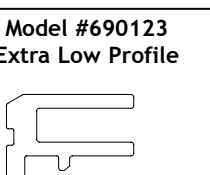
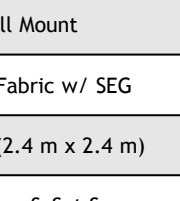
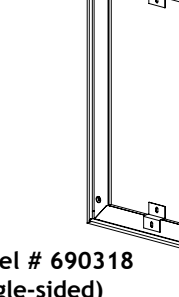
# Signage

Please refer to our Signage brochure for more information regarding Stylmark's backlit displays. Prices will vary based upon your individual order requirements. Contact Stylmark Customer Service for pricing and custom sizes.

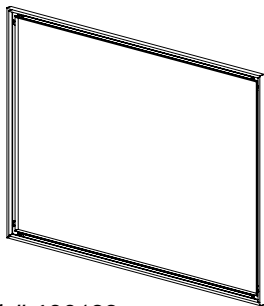
Frameless Fabric Displays

## StretchFrame™ Non-lit Tension Fabric Display Frames

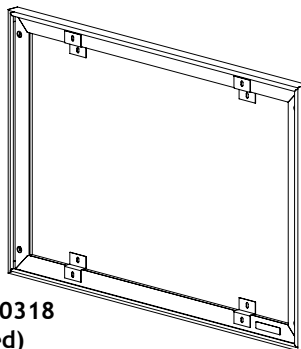
For a frameless appearance to signs and interior displays, Stylmark's offering of Tension Fabric Display (TFD) frames include non-lit options for single sided extra low-profile frames as well as for single and double sided low-profile frames to put the focus on the graphic, not the frame. Made from high quality anodized aluminum extrusions and easy-to-assemble connectors, StretchFrame™ make TFD frames easy & beautiful.

	Model #690123 Extra Low Profile	Model #690318 Low Profile	Model #690319 Low Profile
			
Depth	0.695" (17.6mm)	1.18" (30mm)	1.74" (44mm)
Application	Single-sided	Single-sided	Double-sided
Mounting	Wall Mount	Wall Mount	Hanging / Standing
Media	Tension Fabric w/ SEG	Tension Fabric w/ SEG	Tension Fabric w/ SEG
Maximum Size	96" x 96" (2.4 m x 2.4 m)	228" x 432" (5.8 m x 10.97 m)	288" x 432" (7.3 m x 10.97 m)
Connector	Steel Corners & Set Screws	Tension Lock	Tension Lock

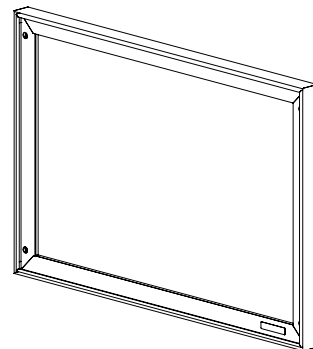
**Finishes:** Available in Stylmark's wide variety of anodized finish & color combinations to complement your interior décor.



Model # 690123  
(single-sided)



Model # 690318  
(single-sided)

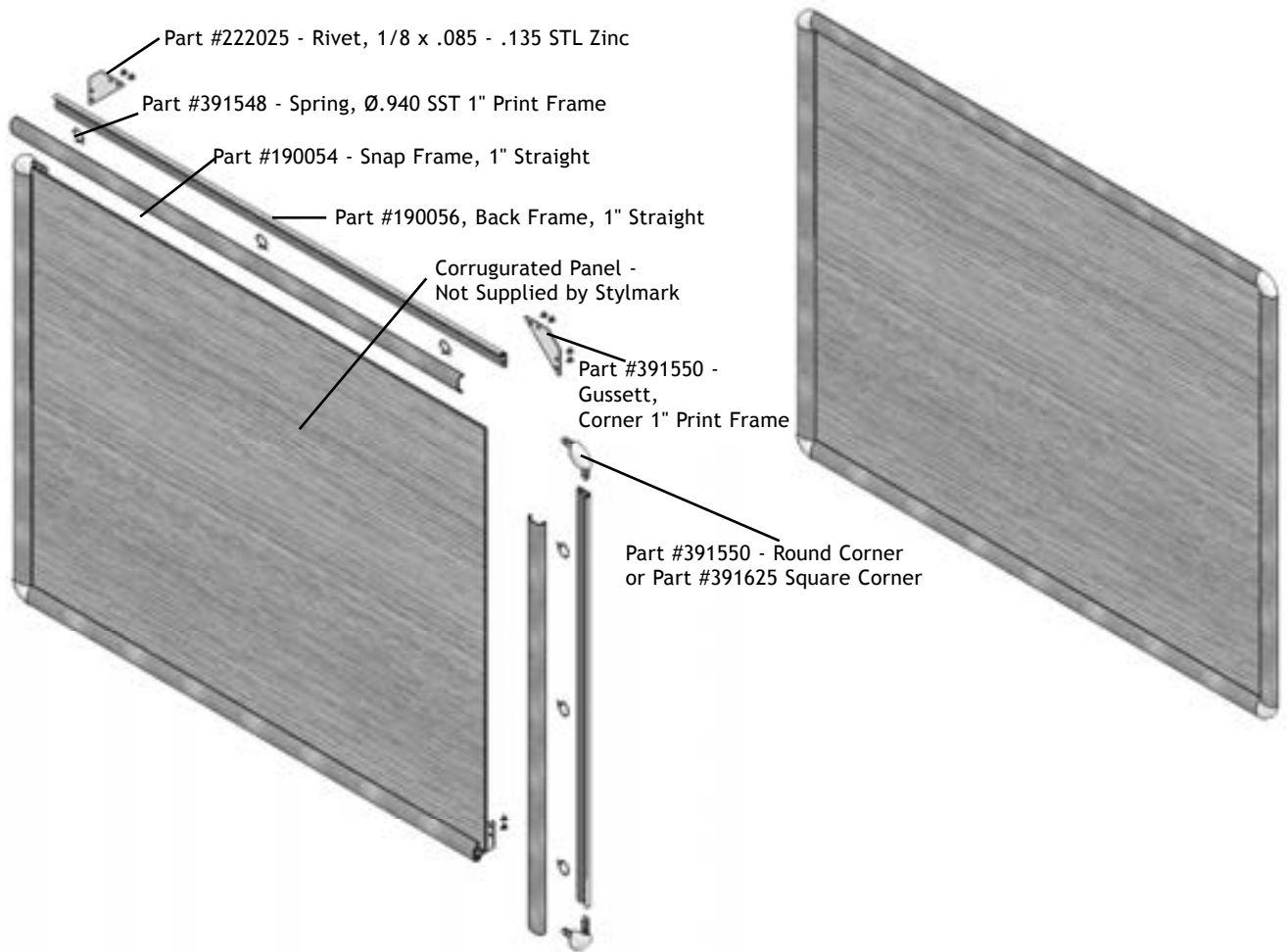


Model # 690319  
(double-sided)

*Note: Graphics not supplied unless otherwise noted. For dry locations only.*
















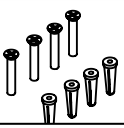
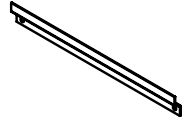
# PrintFrame System (1" Frames)

Stylmark offers PrintFrames extrusion and components for users to fabricate and assemble their own custom-sized, front-loading, snap-frames for posters and signage. Extrusions are available in Stylmark's vast offering of anodized finishes.

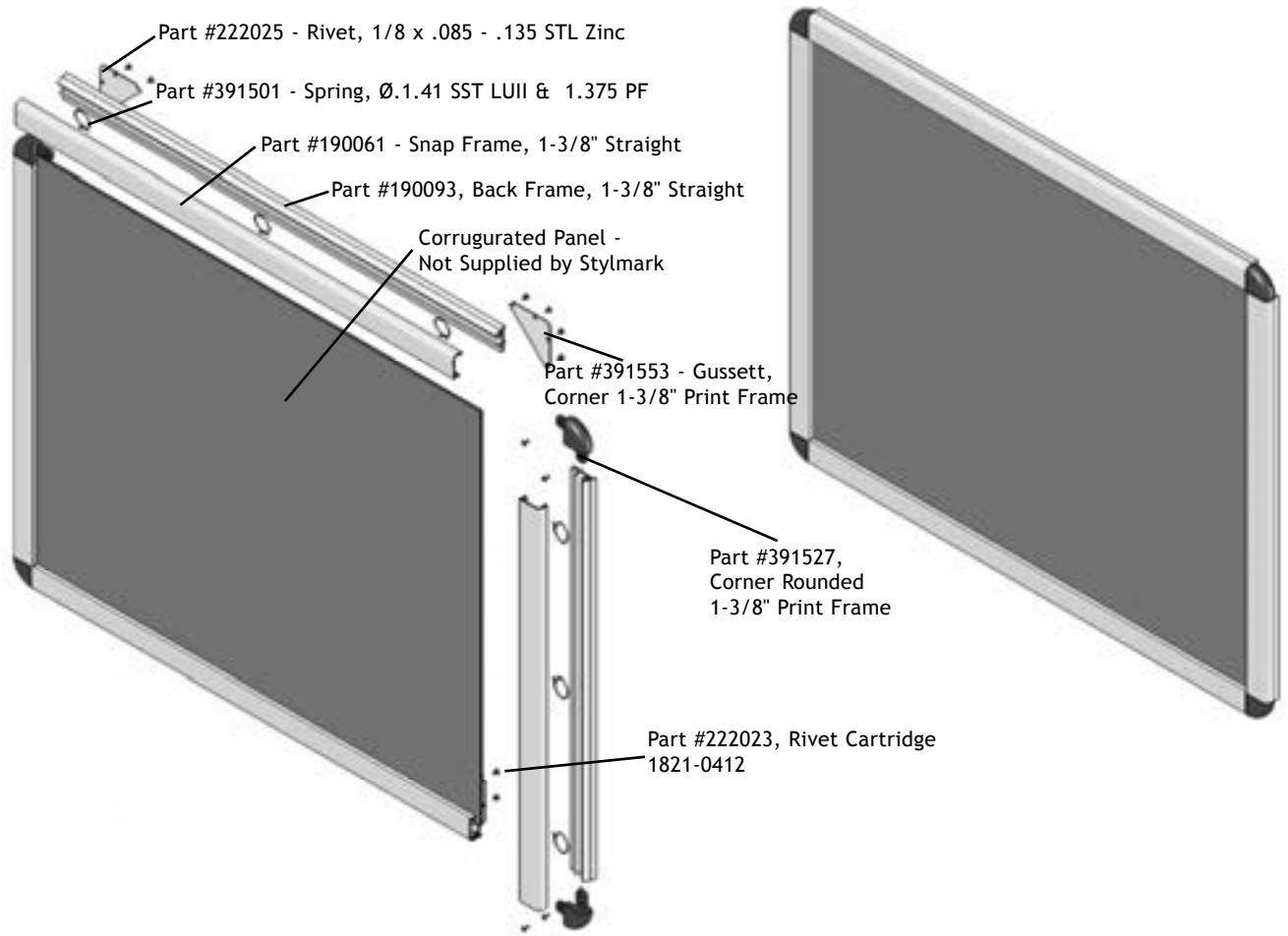


Part Number	Description	View	Min-Qty.	Finish	Discount Quantity Pricing				
					1-5	6-10	11-24	25-99	100+
190054	Snap Frame, 1" PrintFrame, 102"			Non-Buffered Non-Brushed	11.99	11.51	11.27	11.03	10.79
				Buffered or Brushed	15.51	14.89	14.58	14.27	13.96
190056	Back Frame, 1" PrintFrame, 102"			Non-Buffered Non-Brushed	9.18	8.81	8.63	8.44	8.26

# PrintFrame System (1" Frames)

Part Number	Description	View	Min-Qty.	Finish	Discount Quantity Pricing				
					1-5	6-10	11-24	25-99	100+
222025	Rivet, 1/8" x 0.085 - 0.135 Stl Zinc			Steel Zinc	0.10	0.10	0.10	0.10	0.10
391548	Spring, 1" PrintFrame, 0.940 Dia. SST			Stainless Steel	0.25	0.22	0.19	0.17	0.15
391551	Corner Gusset, 1" PrintFrame			Galvanized Steel	1.00	0.80	0.75	0.70	0.65
391550-01	Radius Corner, 1" PrintFrame			Unfinished Natural Plastic	1.00	1.00	1.00	0.85	0.75
391550-02	Radius Corner, 1" PrintFrame			Matte Black	1.00	1.00	1.00	0.85	0.75
391550-03	Radius Corner, 1" PrintFrame			Firestone Red	1.00	1.00	1.00	0.85	0.75
391550-04	Radius Corner, 1" PrintFrame			Brite Silver - Plated	3.00	3.00	3.00	2.75	2.50
391550-05	Radius Corner, 1" PrintFrame			Gold - Plated	3.00	3.00	3.00	2.75	2.50
391550-06	Radius Corner, 1" PrintFrame,			Matte Silver - Plated	3.00	3.00	3.00	2.75	2.50
391625-01	Square Corner, 1" PrintFrame			Unfinished Natural Plastic	1.00	1.00	1.00	0.85	0.75
391625-02	Square Corner, 1" PrintFrame			Matte Black	1.00	1.00	1.00	0.85	0.75
391625-04	Square Corner, 1" PrintFrame			Brite Silver - Plated	3.00	3.00	3.00	2.75	2.50
391625-05	Square Corner, 1" PrintFrame			Gold - Plated	3.00	3.00	3.00	2.75	2.50
391625-06	Square Corner, 1" PrintFrame			Matte Silver - Plated	3.00	3.00	3.00	2.75	2.50
391625-07	Square Corner, 1" PrintFrame			Gloss Black	1.00	1.00	1.00	0.85	0.75
590866	Wall Mounting Kit, includes wall anchors and screws				0.40	0.40	0.40	0.35	0.30
391997	Slatwall Hanger for PrintFrame				6.62	6.62	6.62	6.62	6.62





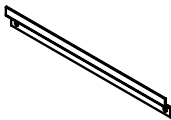
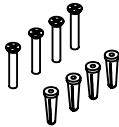
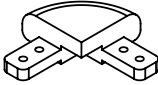
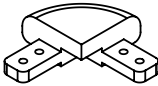
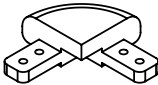
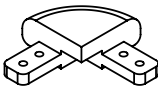
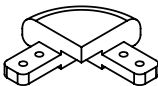
# PrintFrame System (1-3/8" Rounded Corner Frames)



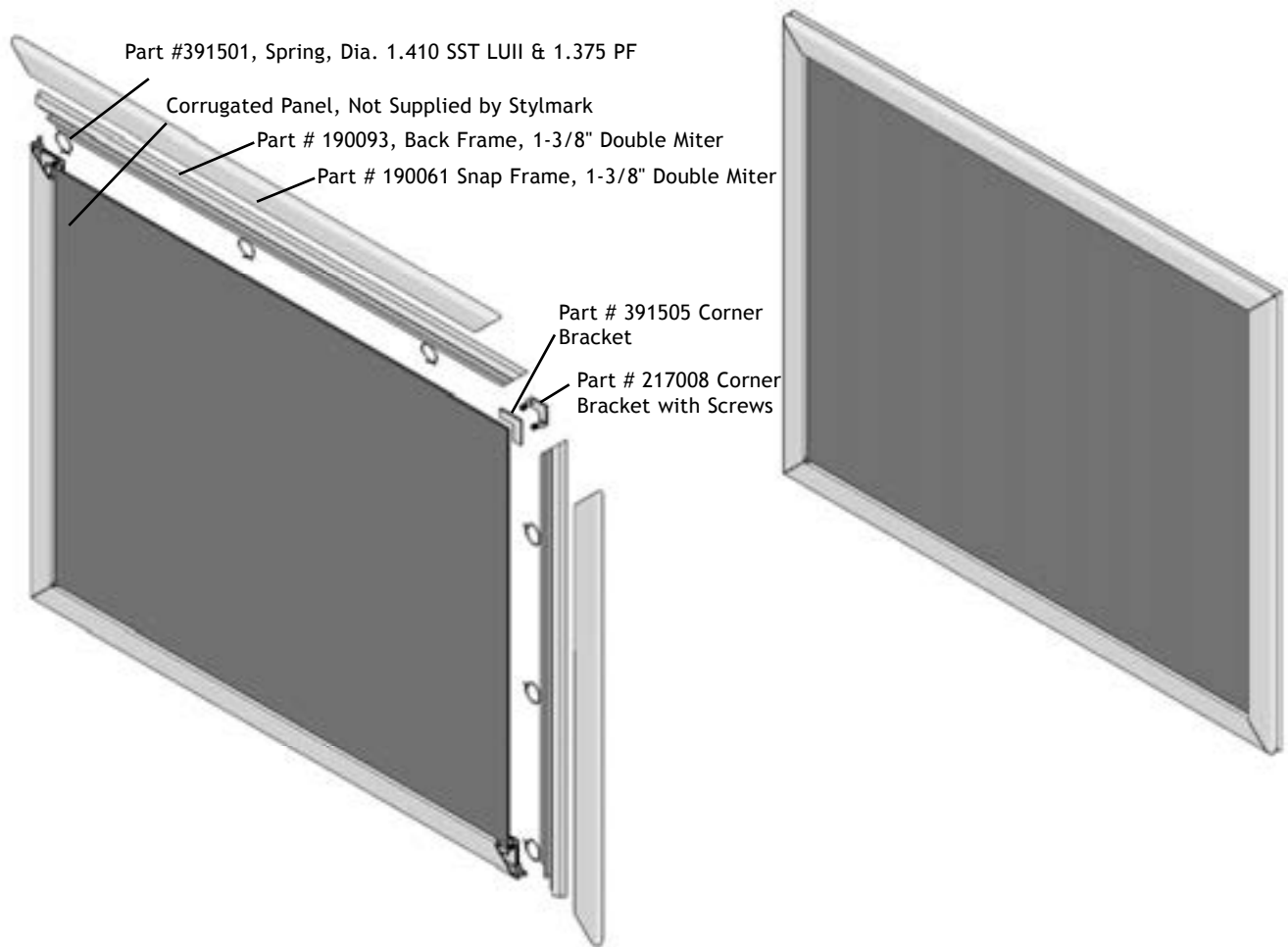
Part Number	Description	View	Min-Qty.	Finish	Discount Quantity Pricing				
					1-5	6-10	11-24	25-99	100+
190061	Snap Frame, 1-3/8" PrintFrame, 102"			Non-Buffered Non-Brushed	15.72	15.10	14.78	14.47	14.15
				Buffered or Brushed	20.64	19.82	19.40	18.99	18.58
190093	Back Frame, 1-3/8" PrintFrame, 102"			Non-Buffered Non-Brushed	20.62	19.80	19.38	18.97	18.56



# PrintFrame System (1-3/8" Rounded Corner Frames)

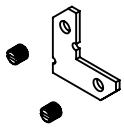

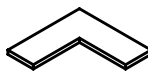
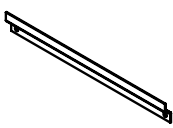
Part Number	Description	View	Min-Qty.	Finish	Discount Quantity Pricing				
					1-5	6-10	11-24	25-99	100+
490257	Double-Sided Cornerpiece			Non-Buffered Non-Brushed	17.00	17.00	17.00	16.58	16.15
222023	Cartridge Rivet, 1821-0412			Steel	0.14	0.14	0.14	0.14	0.14
222025	Rivet, 1/8 x 0.085-0.135 Stl Zinc			Steel	0.10	0.10	0.10	0.10	0.10
391553	Corner Gusset, 1-3/8" PrintFrame			Galvanized Steel	1.50	1.30	1.20	1.10	1.05
391997	Slatwall Hanger for PrintFrame				6.62	6.62	6.62	6.62	6.62
590866	Wall Mounting Kit, includes wall anchors and screws.				0.40	0.40	0.40	0.35	0.30
391527-01	Radius Corner, 1-3/8" PrintFrame			Unfinished Natural Plastic	1.00	1.00	1.00	0.85	0.75
391527-02	Radius Corner, 1-3/8" PrintFrame			Matte Black	1.00	1.00	1.00	0.85	0.75
391527-04	Radius Corner, 1-3/8" PrintFrame,			Brite Silver, Plated	3.00	3.00	3.00	2.75	2.50
391527-05	Radius Corner, 1-3/8" PrintFrame			Gold, Plated	3.00	3.00	3.00	2.75	2.50
391527-06	Radius Corner, 1-3/8" PrintFrame			Matte Silver, Plated	3.00	3.00	3.00	2.75	2.50

# PrintFrame System (1-3/8" Mitered Corner Frames)



Part Number	Description	View	Min-Qty.	Finish	Discount Quantity Pricing				
					1-5	6-10	11-24	25-99	100+
190061	Snap Frame, 1-3/8" PrintFrame, 102"			Non-Buffered Non-Brushed	15.72	15.10	14.78	14.47	14.15
				Buffered or Brushed	20.64	19.82	19.40	18.99	18.58
190093	Back Frame, 1-3/8" PrintFrame, 102"			Non-Buffered Non-Brushed	20.62	19.80	19.38	18.97	18.56

# PrintFrame System (1-3/8" Mitered Corner Frames)

Part Number	Description	View	Min-Qty.	Finish	Discount Quantity Pricing				
					1-5	6-10	11-24	25-99	100+
217008	Corner Bracket Plate with Screws			Zinc	0.25	0.22	0.19	0.17	0.15
391501	Spring, 1-3/8" PrintFrame, 1.410 Dia. SST			Stainless Steel	0.25	0.22	0.19	0.17	0.15
391505	Corner Bracket Plate			Galvanized Steel	1.29	1.15	1.00	0.95	0.89
391997	Slatwall Hanger for PrintFrame				6.62	6.62	6.62	6.62	6.62